

## 2D Laser Scanner PDL series



1. Laser protection level I is safe for human eyes;
2. Large field of view, long distance, high speed, accurate measurement 0°...270°/20m/30m/50m/50Hz/±3cm;
3. Intelligent echo processing technology, reliable and sealed design, protection grade IP68, adapt to harsh environments such as rain, fog, snow.

1. O nível de proteção a laser I é seguro para os olhos humanos;
2. Grande campo de visão, longa distância, alta velocidade, medição precisa de 0° ... 270° / 20m / 30m / 50m / 50Hz / ± 3cm;
3. Tecnologia de processamento de eco inteligente, design confiável e selado, grau de proteção IP68, adapta-se a ambientes agressivos, como chuva e nevoeiro.

Model	PDL-CM20	PDL-CM30	PDL-CM50
<b>Features</b>			
Light source	Infrard (905nm)		
Laser class	CLASS I		
Scanning frequency	50 Hz		
Angle resolution	0.5°		
Heating device	yes		
Aperture angle	180°	270°	
Detection range	0...20 m	0...30 m	0...50 m
Protection range @10% reflectivity	18 m	27 m	30 m
Rain & fog correction	yes		
<b>Performance</b>			
Response time	≥ 20ms		
Warm-up time	<5min		
Absolute accuracy	± 30mm		
Integrated functions	Field monitoring with flexible shapes		
Number of simultaneous evaluation areas	8		
<b>Interface</b>			
Ethernet (Function)	parameter settings		
Ethernet (Data transmission rate)	10/100 Mbit/s		
CAN	yes		
Digital output	2 relay		
RS232	9.6 kBaud ... 230.4 kBaud		
Status indication	OLED , Resolution: 128*64 , Size: 36*19.5		
<b>Mechanics/electronics</b>			
Connection	1 x M18 4pins male aviation connector; 1 x M18 5pins female aviation connector; 1 x M18 9pins female aviation connector;		
Power supply	16...30 VDC		
Power consumption	Typ.8W/38W (with heating)		
Enclosure rating	IP68 (GB/T 4208-2017)		
Weight	1.25kg		
Dimension	174.5*115*102 mm		

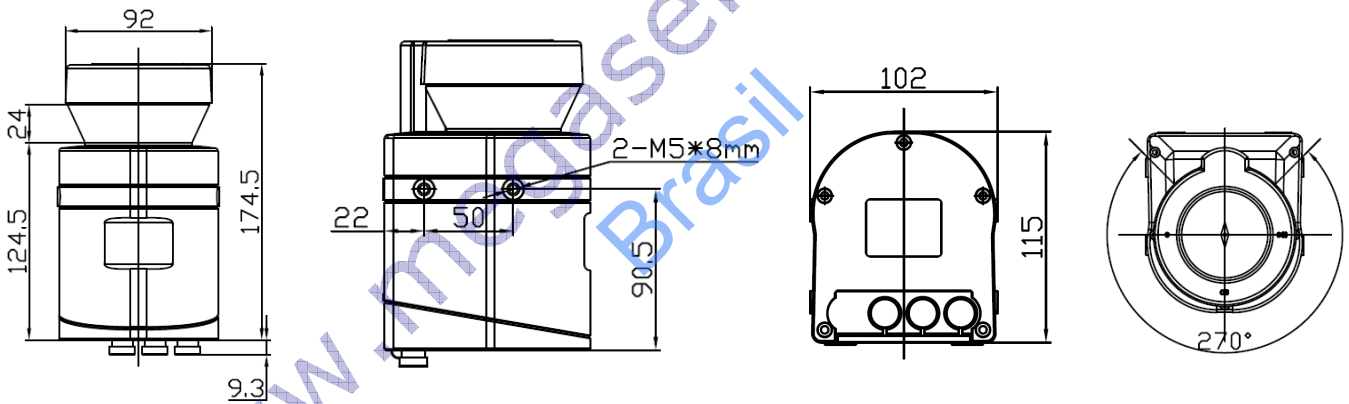
# 2D Laser Scanner PDL series



1. Laser protection level I is safe for human eyes;
2. Large field of view, long distance, high speed, accurate measurement 0°...270°/20m/30m/50m/50Hz/±3cm;
3. Intelligent echo processing technology, reliable and sealed design, protection grade IP68, adapt to harsh environments such as rain, fog, snow.

Model	PDL-CM20	PDL-CM30	PDL-CM50
<b>Environmental parameters</b>			
EMC	IEC 61000-6-4:2001/IEC61000-6-2:2005		
Vibration resistance	GB/T2423.10-2008		
Shock resistance	GB/T2423.5-1995		
Ambient temperature	-30 °C...50 °C		
Storage temperature	-40 °C...70 °C		
Anti-ambient light	70klux		

## Dimensions



## Wiring Diagram

