

Tension sensors **TWC** series

Features

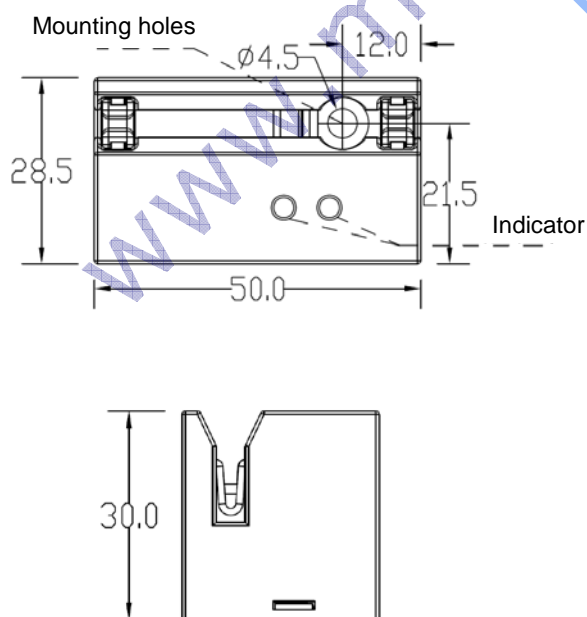
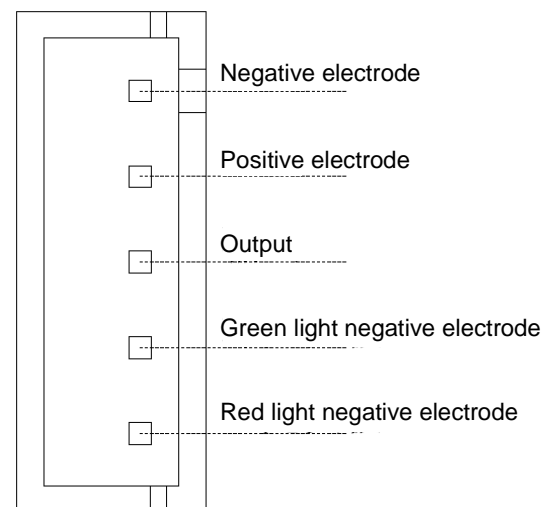
- ◆ Test tension range
- ◆ Highlight indicator
- ◆ Side pressure method is easy to install
- ◆ Quick response

Part number

TWC-T301BCF

Technical specifications

| | | | |
|------------------------|---------------------|---------------------|---|
| Power supply | 19...29VDC | Circuit protection | Reverse polarity, surge protection |
| The output voltage | 0.5~6VDC | Indicator | Falling lights instructions, yarn level instructions |
| Tension range | 0~300cN | Ambient temperature | 0~50°C (No Condensation, No Condensation) |
| Accuracy FS% | <2% | Material | Housing: Zinc alloy; Transmission structure: ceramics; |
| Current consumption | <15mA | | |
| Connection | Connector | | |
| Transmission structure | U-shaped yarn guide | | |

Dimensions

Wiring diagram


Tension sensors **TWK** series



Features

- ◆ Test tension range
- ◆ Highlight indicator
- ◆ Side pressure method is easy to install
- ◆ Quick response

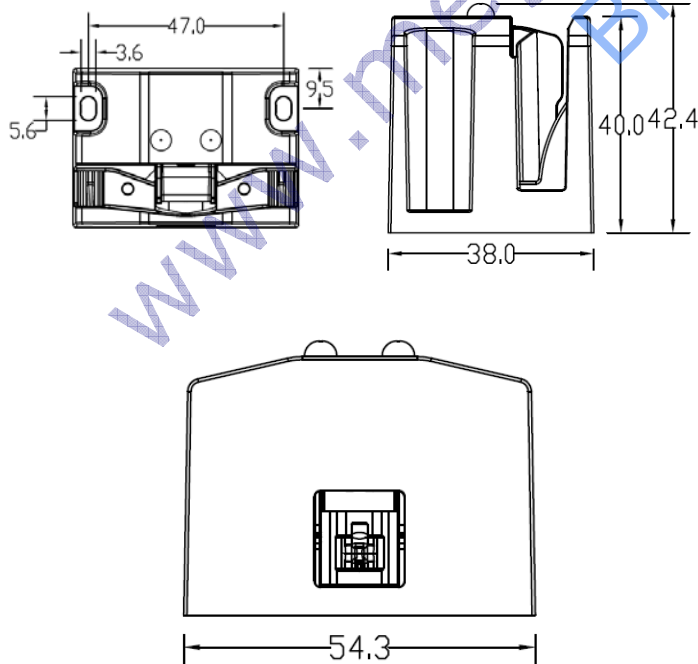
Part number

TWK-H101DGI TWK-H301DGI

Technical specifications

| | | | |
|---------------------|---|---------------------|--|
| Power supply | 10~30VDC | Circuit protection | Reverse polarity, surge protection |
| The output voltage | 0.3~2.3VDC | Indicator | Falling lights instructions, yarn level instructions |
| Tension range | 0~100 cN 0~300 cN | Ambient temperature | 0~50°C (No Condensation, No Condensation) |
| Accuracy FS% | <5% | | |
| Current consumption | <22mA | | |
| Material | Housing: Zinc alloy; Transmission structure: ceramics; | | |

Dimensions



Wiring diagram

