

# 808

## 使用說明書 INSTRUCTION MANUAL

---

**Read safety instructions carefully and understand them before using.  
Retain this Instruction Manual for future reference.**

感謝購買本公司的產品。

爲了安全地使用，請在使用之前一定閱讀本使用說明書。

另外，請注意保管使用說明書，以便隨時閱讀。

808型拼钮机装箱单  
Packing List of Button Stitch Machine Model 808

序号 Serial No.	名称	Description	数量 Q'ty
1	机头	Machine head	1
2	皮带轮罩	Cover of the pulley	1
3	链条	Chain	1
4	挂钩	Hangers of chain	2
5	电机安装板	Assembly plate for motor	1
6	电机皮带轮	Pulley of the motor	1
7	皮带	Belt	1
8	内六角扳手	Hexangular wrench	1
9	自攻螺钉	Screws	3
10	螺钉	Screws	4
11	螺母	Nuts	4
12	半圆头螺栓	Screw bolts	2
13	垫片	Washers	6
14	说明书	Instruction manual	1
15	合格证	Certification of inspection	1

## 一、特点

该机为钉铆各种规格四合的理想设备。取代手工钉铆的繁重劳动。其特点：速度快、工效高、外观美、经该机钉铆四合扣翻铆均匀，铆接牢固。该机采用双保险安全装置，使用、维护方便，性能稳定，并可根据客户要求。配制各种专用模具。

This machine is an ideal special equipment to drive all kinds of quadruple button. It can replace the heavy manual labour. Its features are high speed effulgent and looking nice. The quadruple buttons reveted by this machine are uniform in turnup and firm. This machine is equipped with double safety apparatus. Its operation and maintenance are very convenient. Its performance is constant. All kinds of special mould can be provided in accordance with the needs of customers.

## 二、主要技术参数 Mostly ethnic parameter

主轴最高转速	300	转/分
Man main shaft rotation		Rotation/min
冲头轴行程	38cm	
Punch Distance of Trowel		
电动功率	0.37kw/380v	
Motor Power		
机头外形尺寸	312 x 270 x 490mm	
Dim ensigns		
重量	25kgs	
Weight		

### 三、可能发生和故障、原因及排除方法

Can be happen conk-out Cause and account for way

可能发生的故障 Can be happen conk out	原因 Cause	解决方法 Account for way
钮子装订过松、衣服相对转动 The button much be loose, and cloths face to face running	装模螺钉位过高 Screw salt much high	下调整装模螺钉到合适位置 Down exchange screw waive be becoming
钮子冲偏可钮眼变小 Button leaning or button eye change small	装模钉位过低 Screw seat much low	上调调整装模螺钉到合适位置 Up exchange screw arrive be becoming to place
冲装无力 Up and down atory	皮带过松 Strap be loose	调整皮带到合适松紧 Exchange strap deg roe of tighten seal activity
连冲 Join down	(1) 保险装失灵(2) 卸荷板不能复位 (1) The insurance seize up (2) The board not come back	(1) 调整保险装, 加油润滑 (2) 调换卸荷板拉簧 (1) Exchange the insurance append oil (2) Exchange board spring
不冲 Stop down	舌簧头部打坏 Slippage on tongue head bad	调换舌簧 Exchange shppage on tongue

# 零件样本

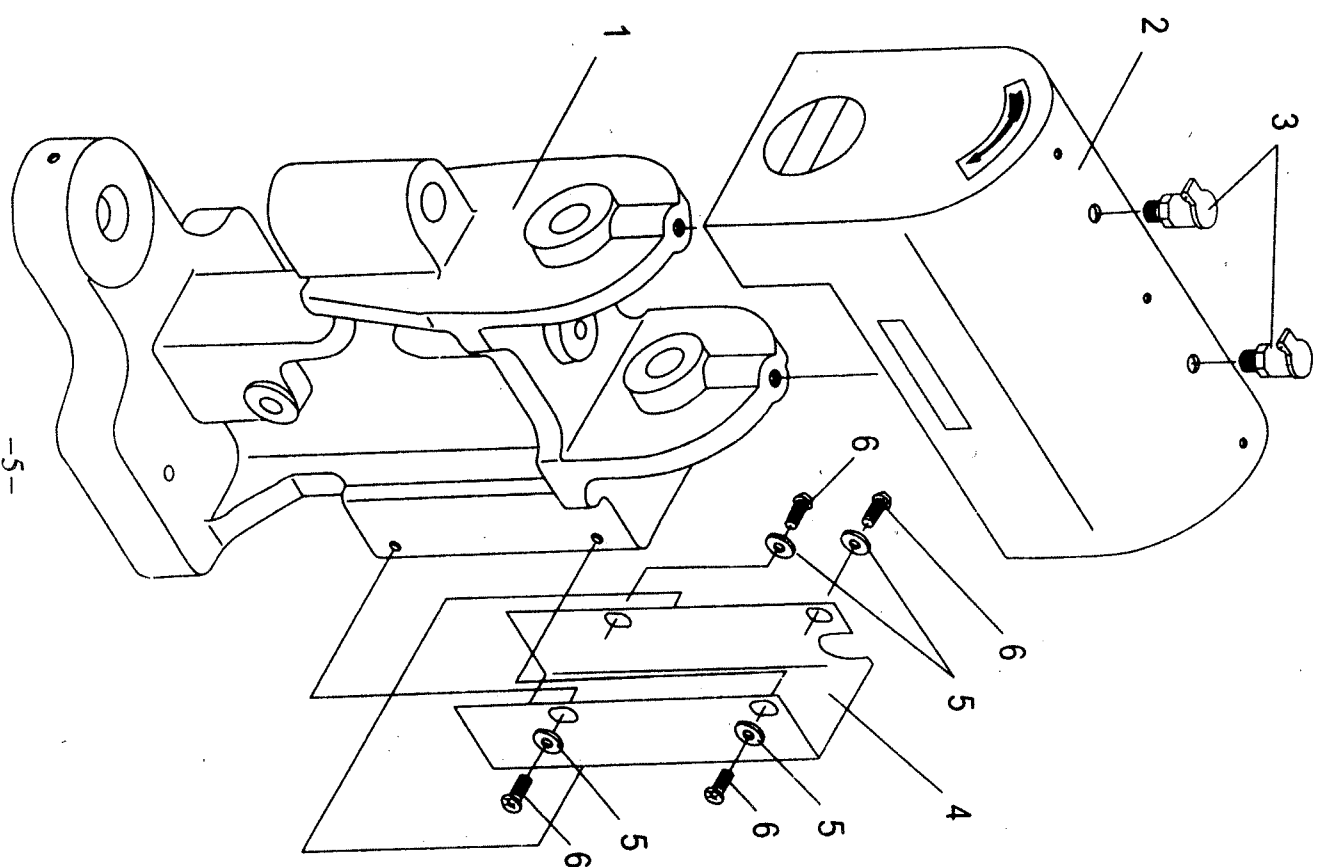
### 四、附件 Axillaries

序号 Ref No.	名称 Description	数量 Amt
1	合格证 Quality certificate	1
2	说明书 Paste sample book	1
3	上下模 Down and up mileage	1

# 1、机壳分组件 Arm bed components

序号 RefNo	件号 Part No.	名称 Description	数量 Amt
1	TQ16	机壳 Arm bed	1
2	TR343	外罩 Arm bed cover	1
3	TR460	油杯 Grease cup	2
4	TR26/2	后挡板 Tailgate	1
5		垫圈 Gasket D16 d5 H1	4
6		螺钉 M5 L7 Screw M5 L7	4

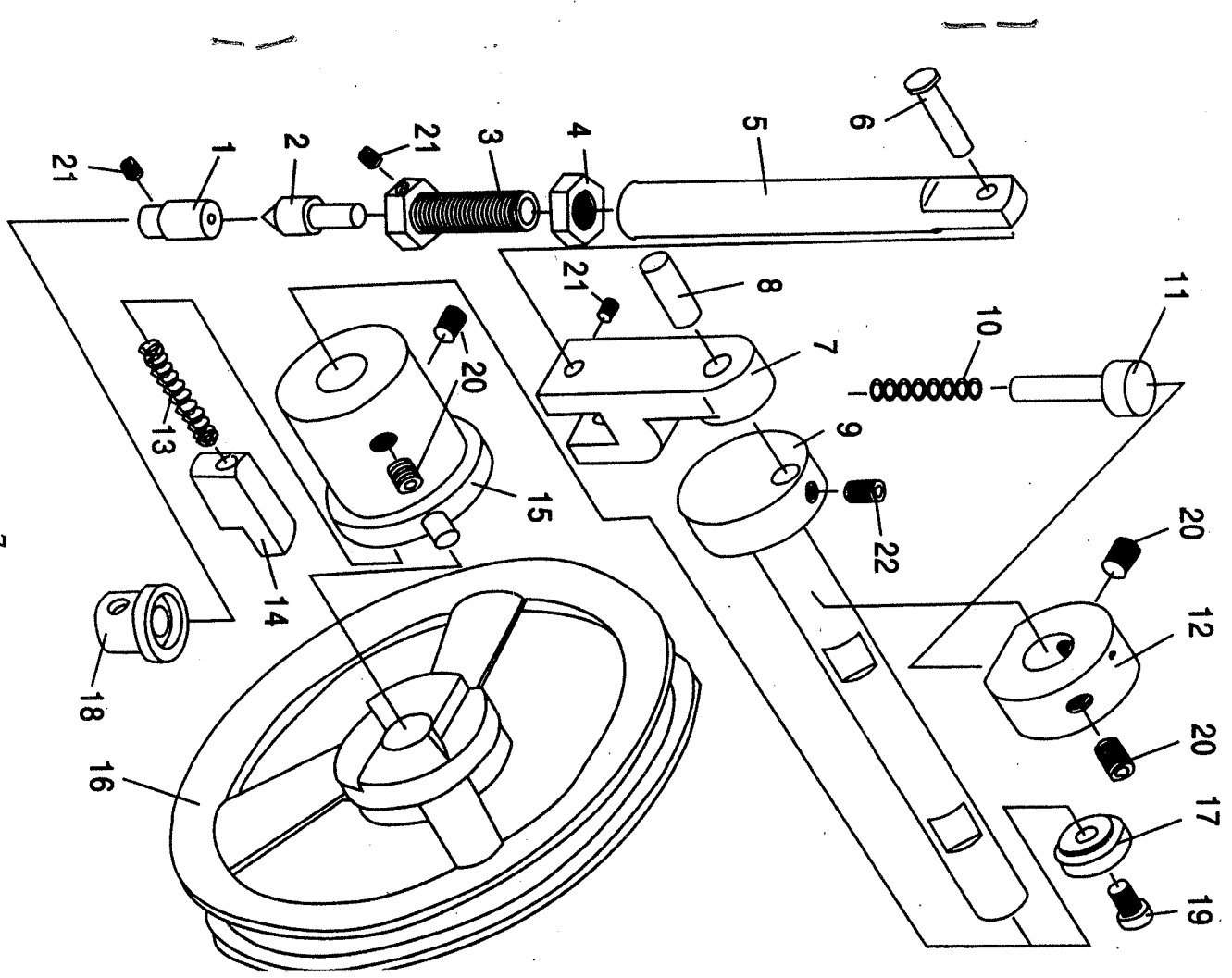
## 1 机壳分组件



## 2 主轴分组件 Principal axis components

序号 Ref.No.	件号 Part No.	名称 Description	数量 Amt
1	TR339	下模 Down moulage	1
2	TR340	上模 Up moulage	1
3	TR342	上模座 Seat of up moulage	1
4	TL0111	紧固螺母 M16X1.5 Nut M16X1.5	1
5	TZ45	纵轴 Upright shafte	1
6	TX47	纵轴销 Upright shafte rod	1
7	TH46	连杆 Joint staff	1
8	TZ63	曲轴体 Curve shafte	1
9	TZ46	主轴 Main shafte	1
10	TW49	制动簧 Aplay the brake spring	1
11	TX48	制动销 Aplay the brake rod	1
12	TR344	制动轮 Aplay the brake wheel	1
13	TW50	滑舌簧 Slippage spring on tongue	1
14	TR348	滑舌 Shlippage on tongue	1
15	TR345/3	滑套 Shlippage busing	1
16	TP10	皮带轮 Strap wheel	1
17	TR351	垫圈 Washer	1
18	808-B	下模套 Downmoulge bushing	1
19	TS0409	圆柱头内六角螺钉 M8X20 Screw	1
20	TS1505	无头内六角螺钉 M10X12 Screw	4
21	TS1501	无头内六角螺钉 SM3/16X24 Screw	3
22	TS1506	无头内六角螺钉 M6X8 Screw	1

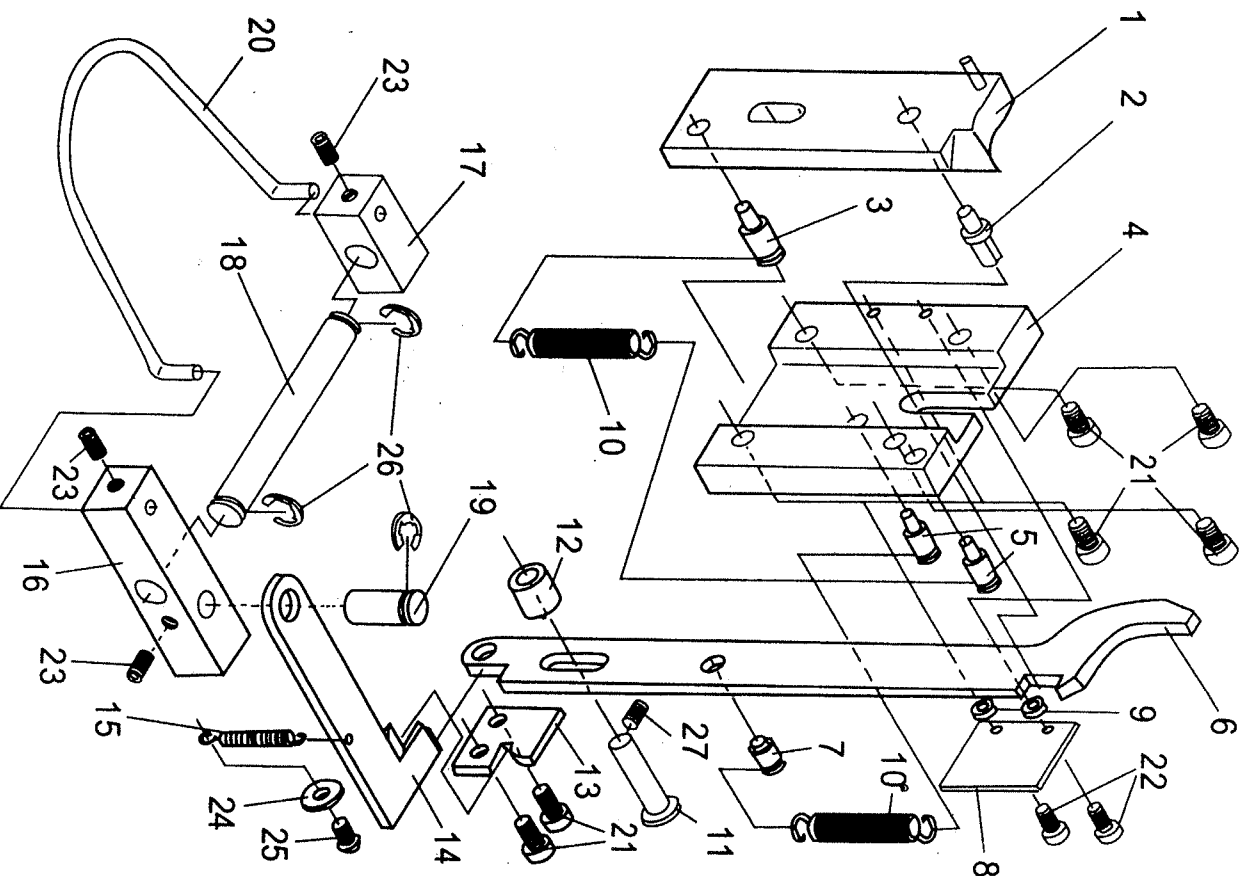
## 2、主轴分组件



### 3、离合分组件 Clutch components

序号 RefNo.	件号 Part No.	名称 Description	数量 Amt
1	TR359	滑板 Shippage board	1
2	TR360	保险柱 Pole use safety	1
3	TX52	拉簧销 Spring rod	1
4	TR356	滑板固定板 Rivet board	1
5	TX51	柳合拉簧销 Rivet join the rod	2
6	TR353	长拉杆 long rod	1
7	TX50	拉簧销 Spring rod	1
8	T354	拉杆压板 Press board	1
9	TR357	压板垫圈 Gasket	2
10	TW52	复位簧 Diaplasis spring	2
11	TX30	拉杆销 Rod	1
12	TR367	限位圈 Gasket	1
13	TR368	定位板 Ori entation board	1
14	TR367	限位板 Rstrict locality	1
15	TW51	复位拉簧 Ori entation spring	1
16	TR365	右拉环固定板 Right rivet board	1
17	TR364	左拉环固定板 Left rivet board	1
18	TX55	拉环销 Rad	1
19	TX54	限位板销 Board rod	1
20	TR341	压环 Fastness annulus	1
21	TS9402	圆柱头内六角钉 M6X 10 Screw M6X 10	4
22	TS9401	圆柱头内六角螺钉 M4X18 Screw M4X 18	6
23	TS1501	无头内六角螺钉 SM3/6X24L5screwSM3/6X24	3
24		垫圈 D16d5H1 Gaske D16 d5 H1	1
25		螺钉 M5 27 Screw M5	1
26		挡圈 d10 Gaske d10	3
27	TS1503	无头内六角螺钉 M5X 6 Screw M5 X 6	1

### 3、离合分组件



#### 4、附件分组件 Appurtenance components

序号 RefNo.	件号 Part No.	名称 Description	数量 Amt
1	TR350	电机轮罩 Electricity machine wheel cover	1
2	TR363	电机安装板 Setting board	1
3	TP11	电机皮带轮 Strap wheel	1
4	TL0101	安装板螺母 M6 Bulid in board nut	3
5		垫圈 d6 Qasket d6	3
6	TS2205	安装板螺钉 M6X 60 Nut M6 X 60	3
7	TL0102	机头安装螺母 M8 Machine head nut M8	2
8		垫圈 d8 Gasket d8	2
9	TS2101	机头安装螺钉 M8 X 80 Bolt M8 X 80	2
10	TS1501	皮带轮紧固螺钉 SM3/16 X 24 Bolt SM3/16 X 24	1
11	TS2204	电机紧固螺钉 M8 X 25 Bolt M8 X 25	4
12	TL0102	电机紧固螺母 M8 Nut M8	4
13		垫圈 d8 Gasket	4
14	TE09	传动带 V 字 A 型 13729 (54) Sharp	1
15		内六角扳手 SM3/32 Wrench SM3/32	1
16	TE04	脚踏链条 L=680 Bedal chain L=680	1

#### 4、附件分组件

