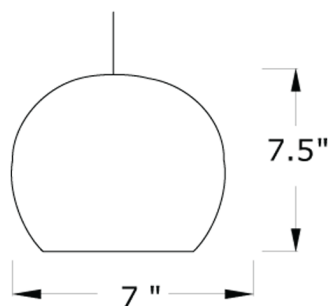


A perforated white ceramic shade hangs from a 12" brass rod and creates an elegant ceiling light fixture.

- When the light is on, it makes a starry night like lampshade and light textures all around the lamp.
- The lamp shade perforations create a camera obscura effect which allows the round perforations to create V shaped light textures.
- With an LED bulbs the light textures are softer - see picture no.4 for LED light textures.
- Brass rod and ceiling plate are brushed and lacquered.

Also available with custom changes:



Lit image



Day light image

Specifications:

Lamp Base: Candelabra (E-12)

Wattage: Up to 60W bulb

Supplied bulb: 60W incandescent or 7W LED

Warranty: 1 year

Country of Manufacture: USA

Weight: 4 lb.

Listing: UL Listed Luminaire E-353899

Shade Material: White Ceramic. Hand made by Ceramic Artist Sharan Elran.

Minor variations may occur

Finish: Natural matte.

Rod and Plate Finish: Laquered Brass

Rod Length: 12" - longer rods are available upon request