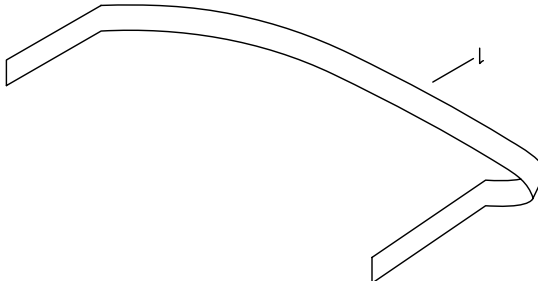
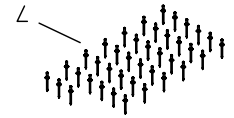
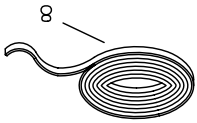
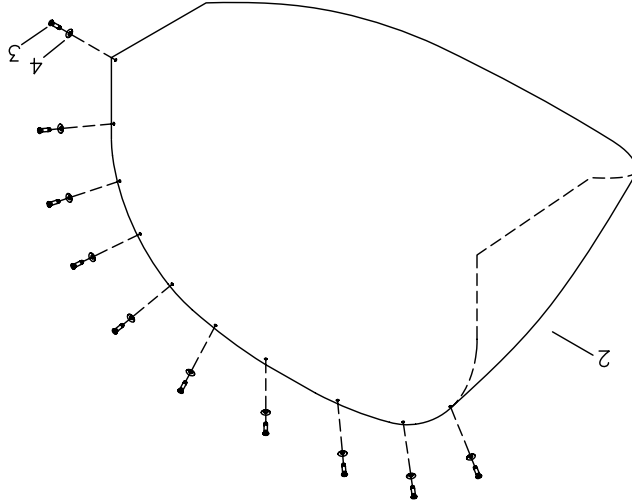
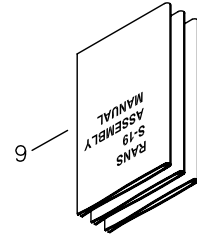
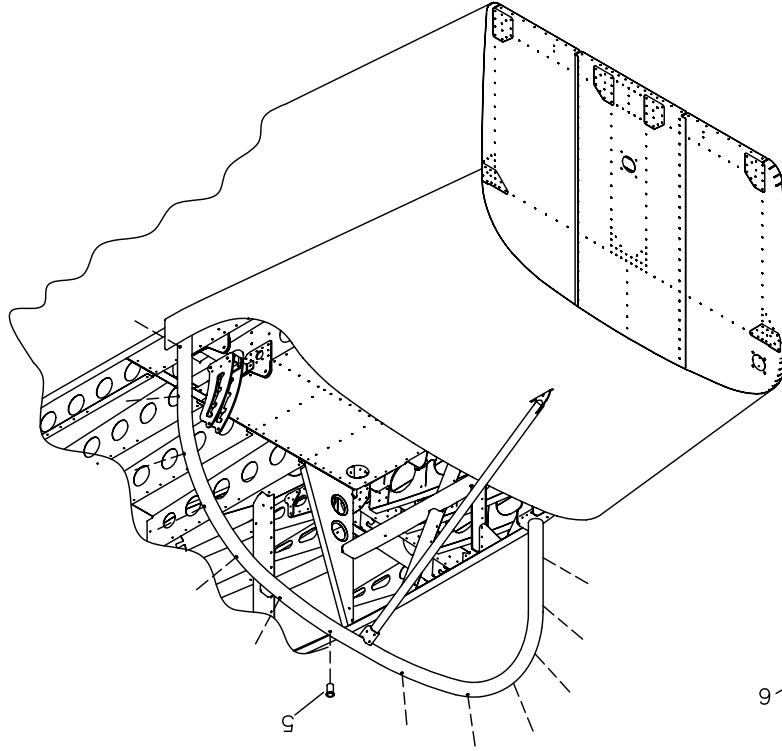


10 – WINDSHIELD and CANOPY

WINDSHIELD INSTALLATION	10-01 - 10-02
CANOPY ASSEMBLY & INSTALLATION.....	10A-01 - 10A-02
OPTIONAL KEY LOCK INSTALLATION	10B-01 - 10B-02

RANS S-19 VENTURA WINDSHIELD INSTALLATION

MD5100



#	DESCRIPTION	PART NUMBER	QUANTITY
1.	Windshield Hold Down Strip - pre-fabricated **	KPWS0046	0
1.	Windshield Hold Down Strip *	-----	0
2.	Windshield	KPWS0036	1
3.	3/16" Countersunk Machine Screw	MS24694-S50	14
4.	3/16" Countersunk Washer	NAS1169-10L	14
5.	3/16" Rivet Nut	MS27130-A25K	14
6.	S-19 Assembly Manual on CD - Canopy	S-19 Assembly Manual	1
7.	1/8" Aluminum Rivet - Avex	1691-0410	39
8.	1/2" Black Foam Tape	KSAC0021	6.5 ft.

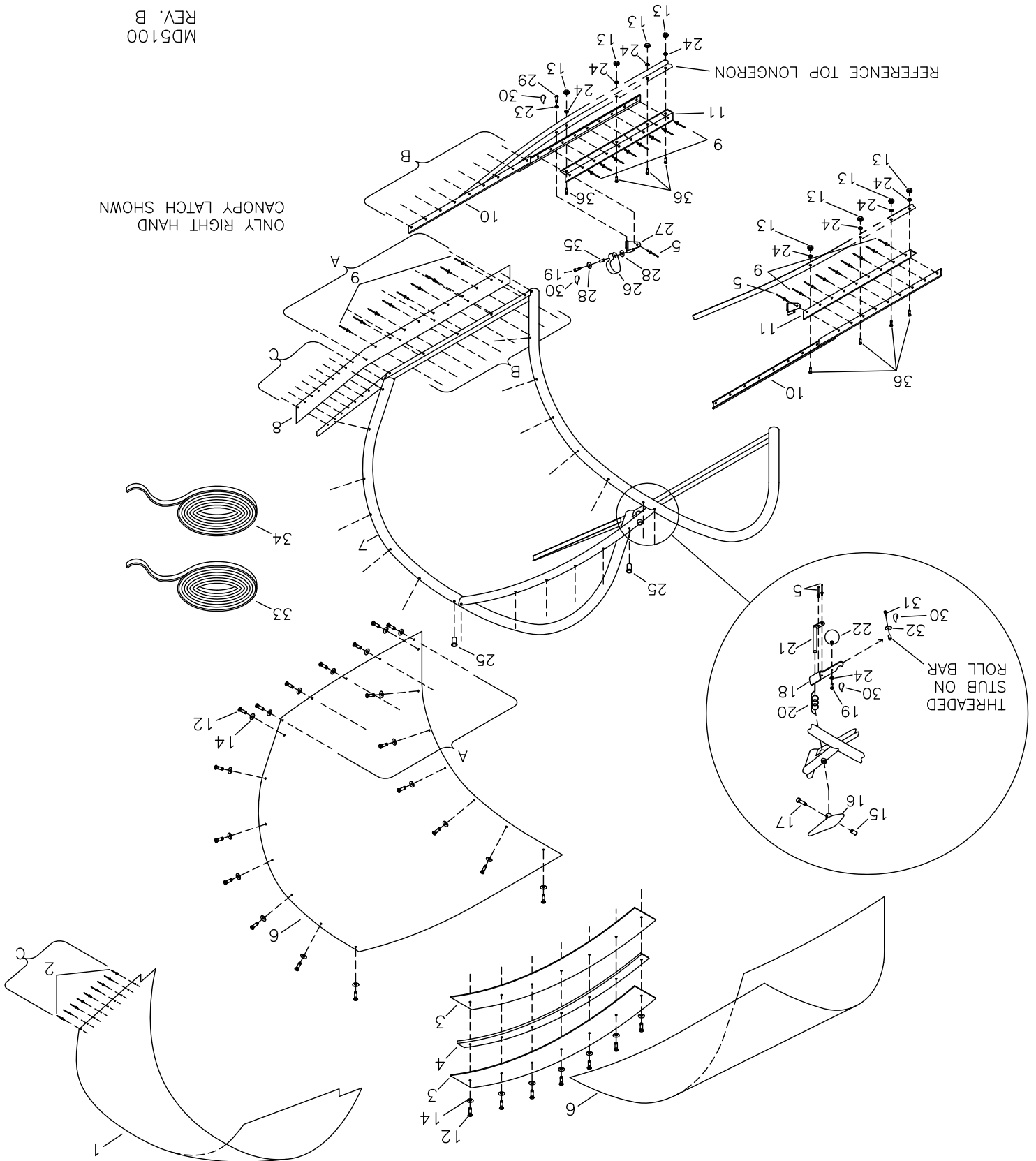
* Builder fabricates

** Pre-fabricated part available as an option from RANS Parts Dept

RRMS S-19 VENTRA CANOPY ASSEMBLY AND INSTALLATION

MD5100
REV. B

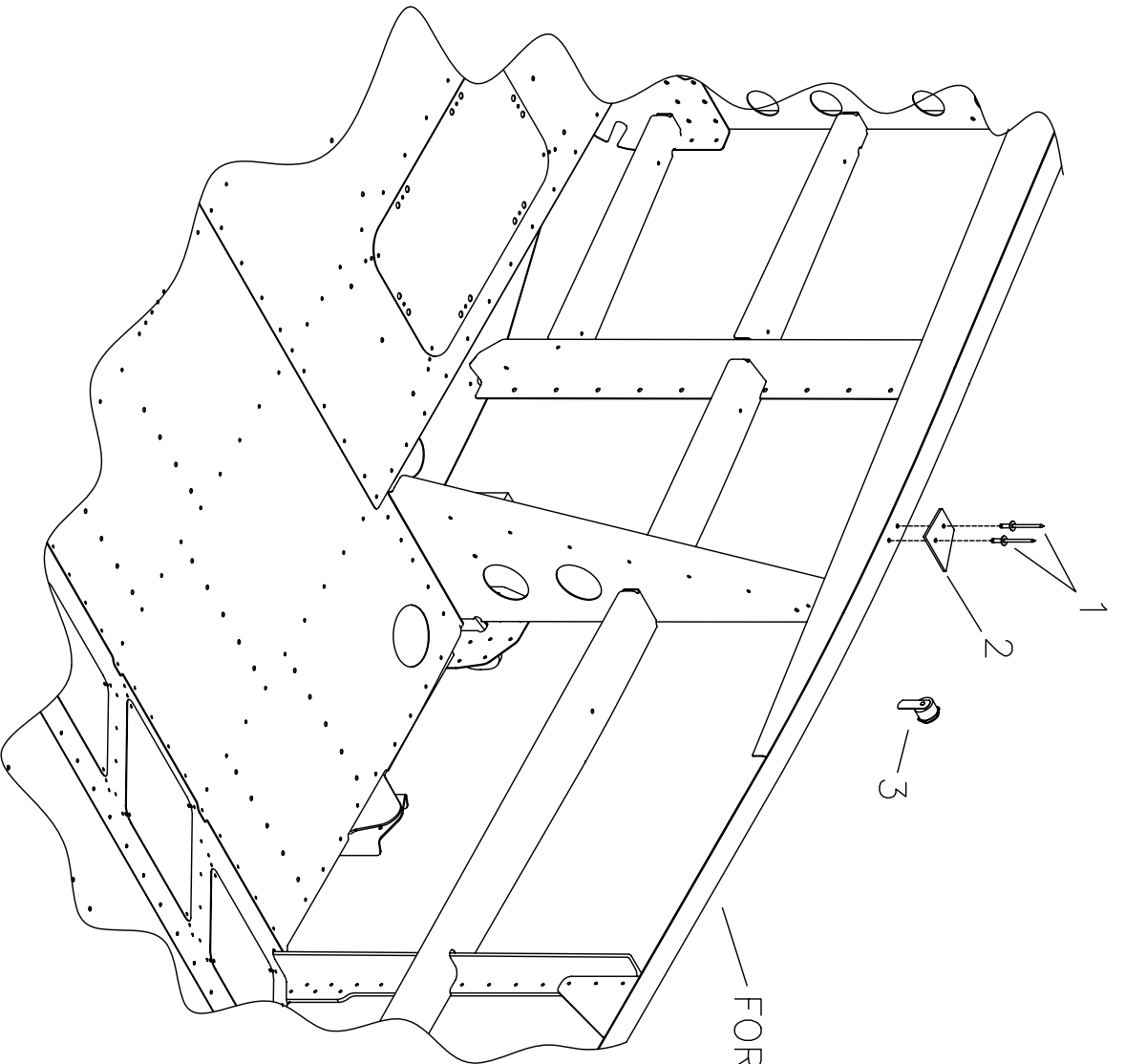
ONLY RIGHT HAND
CANOPY LATCH SHOWN



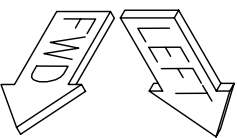
#	DESCRIPTION	PART NUMBER	QUANTITY
1.	Canopy Skirt	KPFU0617	1
2.	1/8" Aluminum Rivet - Avex	1691-0410	18
3.	Capture Strip	KPWS0038	2
4.	Spacer Strip	KPWS0039	1
5.	3/16" Stainless Steel Rivet - Cherry Q	CCPQ-64	4
6.	Canopy - LH	KPWS0037-L	1
6.	Canopy - RH	KPWS0037-R	1
7.	Canopy Frame	KAFU0049	1
8.	Lower Canopy Trim Strip	KPWS0042	2
9.	3/16" Aluminum Rivet - Cherry Q	AAPQ-62	36
10.	Canopy Slide	KPWS0041	2
11.	Canopy Attach Angle	KPWS0040	2
12.	3/16" Countersunk Machine Screw	MS24694-S50	45
13.	3/16" Tensile Nut	AN365-1032A	8
14.	3/16" Countersunk Washer	NAS1169-10L	45
15.	Brass Flange Nut	KSHW0025	1
16.	Door Handle	KPDR0026	1
17.	Button Head Screw	KSHW0024	1
18.	Inside Canopy Handle	KPDR0106	1
19.	3/16" Bolt	AN3-3A	1
20.	Canopy Latch Spring	KSDR0004	1
21.	Canopy Latch Handle Pivot Tube	KPDR0104	1
22.	Knob - 1" Black	KSHW0093	1
23.	3/16" Thick Washer	AN960-10	2
24.	3/16" Thin Washer	AN960-10L	9
25.	3/16" Rivet Nut	MS27130-A25K	45
26.	Canopy Lock Plate	KPFU0620	2
27.	Canopy Latch - LH	KPFU0621-L	1
27.	Canopy Latch - RH	KPFU0621-R	1
28.	3/16" Plastic Washer	PW-3	4
29.	3/16" Bolt	AN3-4A	2
30.	Loctite *	-----	0
31.	Pan Head Phillips Bolt	KSHW0071	1
32.	#10 Stainless Steel Washer	BSHW0022	1
33.	Foam Seal - "D-Cell" - Single	KSAC0013	6.5 ft.
34.	1/2" Black Foam Tape	KSAC0021	36 ft.
35.	1/4" x .028 x 5/16" Bushing **	KAAC0044-2	0
36.	3/16" Bolt	AN3-5A	8

* Builder Supplied

** Builder fabricates from raw stock



FORWARD LONGERON



RRRINDS S-19 VENTERRA
OPTIONAL KEY LOCK INSTALLATION

MD5510

#	DESCRIPTION	PART NUMBER	QUANTITY
1.	1/8" Aluminum Rivet - Cherry Q	AAPQ-43	2
2.	Canopy Key Latch	KPFU0662	1
3.	Lock *	-----	0

* Provided with Ignition Switch or may be purchased seperately