



Quarterly Peer Contest Rules

Entry:

The photographs must be taken during the allotted time of the contest:

The approx. 90 days according with the seasonal yearly quarter.

December - February. (Winter)

March - May. (Spring)

June - August. (Summer)

Sept - November. (Autumn)

All Final submissions must be matted. Any mat color may be used.

Rectangular mats may not exceed 20" on the long edge. (i.e. 16 x 20 is acceptable.)

Contestants may enter a square photograph and use a square mat.

Square mats must not exceed 16" in size.

Your printed photograph may be any size that fits into or is equal to the 20" rectangle or 16" square total mat.

If you choose to do so, you can have your print done on metal or adhered to foam board at the full 20" long edge or 16" square

Selection:

Matted images will be presented on during the meeting.

A 15 minute time period will be allotted in which members of the club will cast votes for their three favorite images.

Winners:

1st place is a 20" x 30" Canvas, Metal or Wood Print from Colorplak* (approx value \$90 - \$175).

2nd place \$50.00 - placement in website gallery.

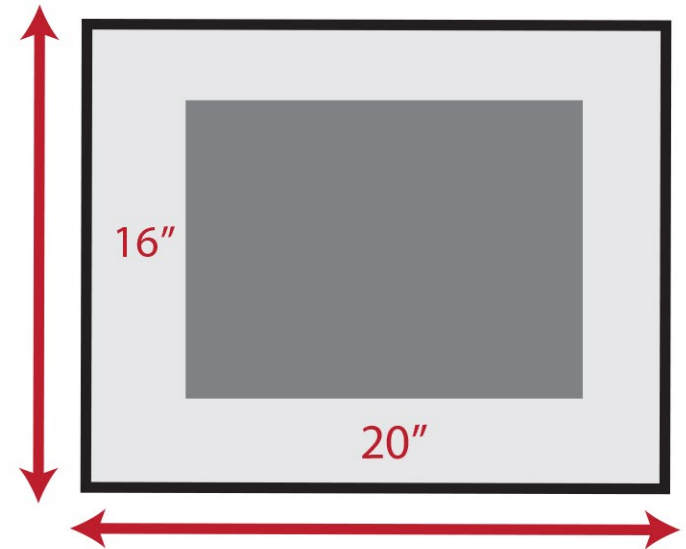
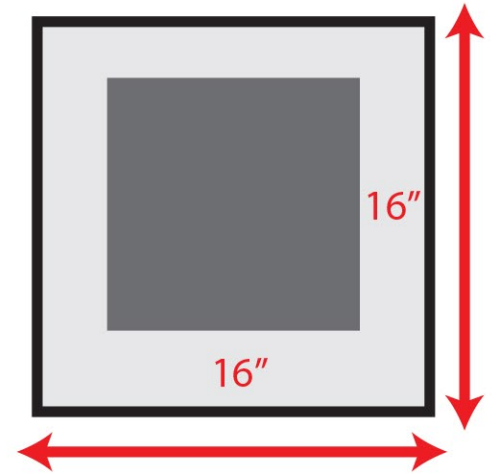
3rd place \$25.00 - Placement in website gallery.

There are no honorable mentions for the quarterly peer contest.

Contestants must be present to win.

Winning photos will be asked to provide a digital copy for the Smug Mug Gallery & Website.

*Colorplak chooses the type of print they will provide the Club on a rotation basis.



Inland Empire Photo Club

2019 IEPC Quarterly Contest - Official Rules