

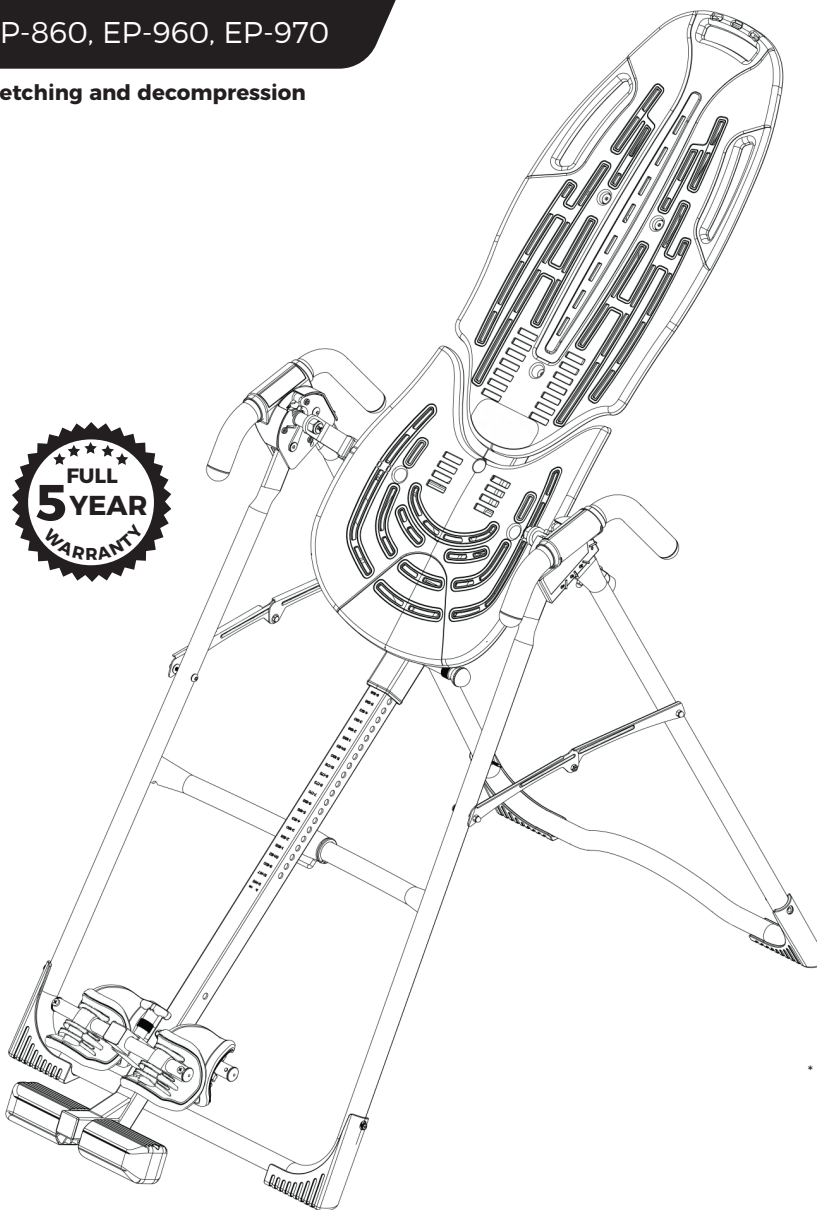


NEW!
Follow along with
your smartphone
to make assembly
even easier!

ComforTrak™ Series Assembly Instructions

Models EP-560, EP-860, EP-960, EP-970

For gravity-assisted stretching and decompression



* Specifications may vary from this image and
are subject to change without notice.
The EP-560 is shown here.
Your actual model may vary.



To download and print Teeter's ComforTrak™ instructions, visit the product support page at teeter.com.
Pour télécharger et imprimer le manuel du propriétaire ComforTrak™, visitez la page d'assistance des produits au teeter.com
Para descargar e imprimir las instrucciones de montaje de ComforTrak™ en español, visite teeter.com



Congratulations on your purchase of a Teeter ComforTrak™ Series Inversion Table! In order to utilize this product to its fullest extent, it is critical that you follow the assembly instructions, read and fully understand the Owner's Manual attached to the equipment, and review the Getting Started DVD prior to using your new Teeter Inversion Table.

Teeter Decompression Devices are multiple user, reusable devices for home use, intended to provide traction to the spine while stretching the para-spinal muscle and soft tissues. The devices provide non-powered traction and are meant for use by adults.

Use of FDA-Cleared Teeter Decompression Devices is indicated for the following conditions: back pain, muscle tension, degenerative disc disease, spinal degenerative joint disease, spinal stenosis, herniated disc, spinal curvature due to tight muscles, sciatica, muscle spasm, and facet syndrome.



For step-by-step, 3D interactive instructions, download BILT (a FREE mobile app) to your smartphone to follow along. See Page 5 for instructions on how to download BILT.



To register your product warranty, go to teeter.com/Support/Warranty-Registration



If you have any questions concerning assembly or if any parts are missing, **DO NOT RETURN THE ITEM TO THE STORE OR CONTACT THE RETAILER.** Our dedicated customer service experts can help! Contact Teeter Customer Service at **800.847.0143**, or via online forms or Live Chat at teeter.com.



Get more from your inversion sessions by downloading the TeeterLink™ app to your phone to track usage and pain levels, get reminders and customized guidance, access support, and more! Scan the code or search TeeterLink in your app store to get started!



Assembly Instructions

Important Safety Instructions	1
Items for Assembly	2
Understanding Your Inversion Table	3
Safety Warning Labels & Product Specifications	4
Before Beginning Assembly	5
Assembly Steps	6 – 11
Misassembly Check	12
Before Inverting	13
Warranty Terms & Registration	15

Owner's Manual (attached to the equipment)

Important Safety Instructions	1
User Settings	2
Prepare to Invert.	3 – 4
Inverting	4 – 5
Storage & Maintenance	5
Get the Most out of Your Teeter	6

BEFORE YOU BEGIN: Review all steps before beginning assembly and read all precautions before using the inversion table. Carefully adhere to the Assembly Instructions and Owner's Manual to help ensure safety and product integrity.

IMPORTANT SAFETY INSTRUCTIONS
READ ALL INSTRUCTIONS BEFORE USING THE INVERSION TABLE

! WARNING

FAILURE TO FOLLOW INSTRUCTIONS AND WARNINGS COULD RESULT IN SERIOUS INJURY OR DEATH.

To reduce the risk of injury:

- Read and understand all the instructions, review all other accompanying documents, and inspect the equipment before using the inversion table. It is your responsibility to familiarize yourself with the proper use of this equipment and the inherent risks of inversion if these instructions are not followed, such as falling on your head or neck, pinching, entrapment, equipment failure, or aggravating a pre-existing medical condition. It is the responsibility of the owner to ensure that all users of the product are fully informed about the proper use of the equipment and all safety precautions.
- **DO NOT** use until approved by a licensed physician. Inversion is contraindicated in any medical or health condition that may be made more severe by an elevation of blood pressure, intracranial pressure or mechanical stress of the inverted position, or that may impact your ability to operate the equipment. This may include injury or illness, but also the side effects of any drug or supplement (prescribed or over-the-counter). Specific conditions may include, but not be limited to:
 - Any condition, neurological or otherwise, which results in unexplained tingling, weakness or neuropathy, seizure, sleep disorder, lightheadedness, dizziness, disorientation, or fatigue, or impacts strength, mobility, alertness, or cognitive ability;
 - Any brain condition, such as trauma, history of intracranial bleed, history or risk of TIA or stroke, or severe headaches;
 - Any condition of the heart or circulatory system, such as high blood pressure, hypertension, increased risk of stroke, or use of anticoagulants (including high doses of aspirin);
 - Any bone, skeletal or spinal cord condition or injury, such as significant spinal curvature, acutely swollen joints, osteoporosis, fractures, dislocations, medullary pins or surgically implanted orthopedic supports;
 - Any eye, ear, nasal or balance condition, such as trauma, history of retinal detachment, glaucoma, optic hypertension, chronic sinusitis, middle or inner ear disease, motion sickness, or vertigo;
 - Any digestive or internal condition, such as severe acid reflux, hiatal or other hernia, gallbladder or kidney disease;
 - Any condition for which exercise is specifically directed, limited or prohibited by a physician, such as pregnancy, obesity, or recent surgery.
- **ALWAYS** be certain the Ankle Lock System is properly adjusted and fully engaged, and that your ankles are secure before using the equipment. HEAR, FEEL, SEE and TEST that the Ankle Lock System is snug, close-fitting and secure EVERY TIME you use the equipment.
- **ALWAYS** wear securely tied lace-up shoes with a flat sole, such as a normal tennis-style shoe.
- **DO NOT** wear any footwear that could interfere with securing the Ankle Lock System, such as shoes with thick soles, boots, high-tops or any shoe that extends above the anklebone.
- **DO NOT** use the inversion table until it is adjusted properly for your height and body weight. Improper settings can cause rapid inversion or make returning upright difficult. New users, and users who are physically or mentally compromised, will require the assistance of a spotter. Make sure the equipment is set to your unique user settings prior to each use.
- **DO NOT** sit up or raise head to return upright. Instead, bend knees and slide your body to the foot-end of the inversion table to change weight distribution. If locked out in full inversion, follow the instructions for releasing from the locked position before returning upright.
- **DO NOT** continue using the equipment if you feel pain or become light-headed or dizzy while inverting. Immediately return to the upright position for recovery and eventual dismount.
- **DO NOT** use if you are over 6 ft 6 in (198 cm) or over 300 lbs. (136 kg). Structural failure could occur or head/neck may impact the floor during inversion.
- **DO NOT** allow children to use this machine. Keep children, bystanders, and pets away from machine while in use. The inversion table is not intended for use by persons with reduced physical, sensory or mental capabilities, unless they are given supervision and instruction concerning use of the machine by a person responsible for their safety.
- **DO NOT** store the inversion table upright if children are present. Fold and lay the table on the floor. **DO NOT** store outdoors.
- **DO NOT** use aggressive movements, or use weights, elastic bands, any other exercise or stretching device or non-Teeter® attachments while on the inversion table. Use the inversion table only for its intended use as described in this manual.
- **DO NOT** drop or insert any object into any opening. Keep body parts, hair, loose clothing and jewelry clear of all moving parts.
- **DO NOT** use in any commercial, rental or institutional setting. This product is intended for indoor, home-use only.
- **DO NOT** operate equipment while under the influence of drugs, alcohol, or medication that may cause drowsiness or disorientation.
- **ALWAYS** inspect the equipment prior to use. Make sure all fasteners are secure.
- **ALWAYS** replace defective components immediately and/or keep the equipment out of use until repair.
- **ALWAYS** position equipment on a level surface and away from water or ledges that could lead to accidental immersion or falls.
- Refer to additional warning notices posted on the equipment. If a product label or Owner's Manual should become lost, damaged or illegible, contact Customer Service for replacement.

SAVE THESE INSTRUCTIONS

Items for Assembly

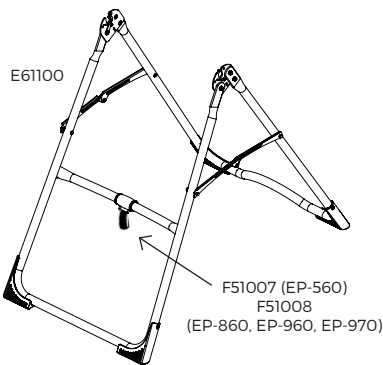
Items not shown to scale. Hardware drawings located on the insert inside each Hardware Kit.

ITEM NO.	ITEM NAME
Stretch-and-Grip™ A-Frame Base Assembly	
E61100	A-Frame
F51007	Angle Tether (EP-560) pre-assembled to A-Frame
F51008	EZ Angle Tether (EP-860, EP-960, EP-970) pre-assembled to A-Frame
Handle Assembly	
E61500	Stretch Assist™ Handles (2) (EP-560)
E61520	Stretch Max™ Handles (2) (EP-860, EP-960, EP-970)
HK1008	Handle Assembly Hardware Kit
Roller Hinge Assembly	
F51064	3-Hole Roller Hinges (2) (EP-560, EP-860)
TR1003	3-Hole Roller Hinges w/Traction Handles (2) (EP-560 Sport, EP-960, EP-970)
ComforTrak™ Table Bed Assembly	
E61300	ComforTrak™ Table Bed

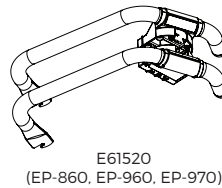
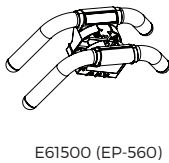
ITEM NO.	ITEM NAME
Main Shaft Assembly	
E61601	with T-Pin Ankle Lock System (EP-560, EP-860)
E61630	with EZ-Reach™ Ankle Lock System (EP-960)
NX1620	with Deluxe EZ-Reach™ Ankle Lock System (EP-970)
Optional Accessories	
E61105	Head Pillow
Tools Provided for Assembly	
IA1149	5mm Allen Wrench (1)
F51088	Open-Ended Wrench (EP-860, EP-960, EP-970)
Product Support	
E61701	Getting Started DVD
E61710	Owner's Manual (EP-560, EP-860)
E61711	Owner's Manual (EP-960)
E61771	Owner's Manual (EP-970)

Pre-assembled to A-frame

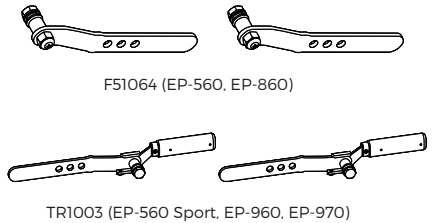
Stretch-and-Grip™ Base Assembly
with pre-assembled Angle Tether



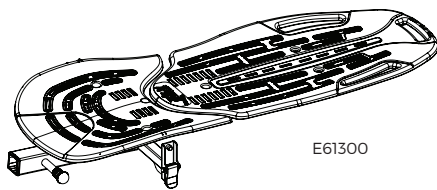
Handle Assembly
Use with Handle Assembly Hardware Kit (HK1008)



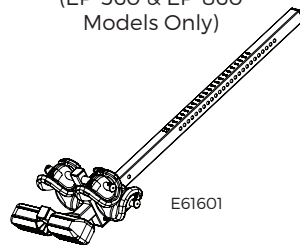
Roller Hinge Assembly



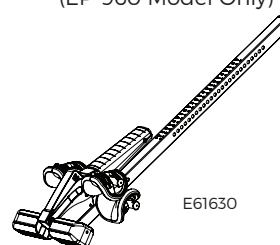
ComforTrak™ Table Bed Assembly



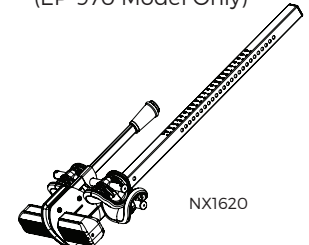
Main Shaft with T-Pin Ankle Lock System
(EP-560 & EP-860 Models Only)



Main Shaft with EZ-Reach™ Ankle Lock System
(EP-960 Model Only)



Main Shaft with Deluxe EZ-Reach™ Ankle Lock System
(EP-970 Model Only)



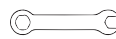
Optional Head Pillow



Tools Provided for Assembly

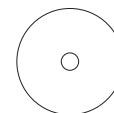


5mm Allen Wrench
IA1149

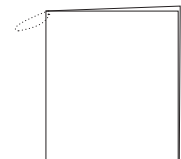


Open-Ended Wrench
F51088
(EP-860, EP-960, EP-970 only)

Product Support



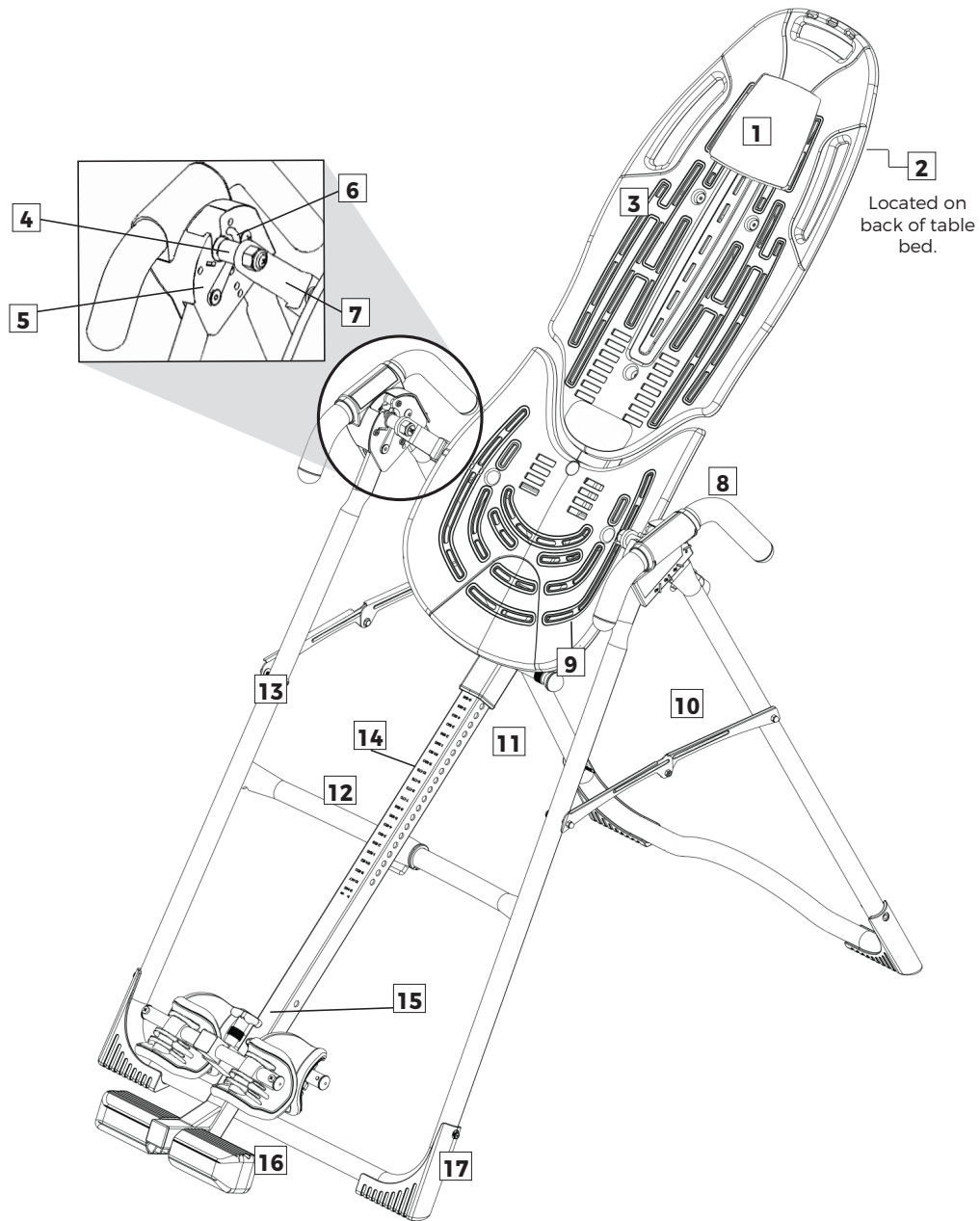
Getting Started DVD
E61701



Owner's Manual
E61710 (EP-560, EP-860)
E61711 (EP-960)
E61771 (EP-970)

Understanding Your Inversion Table

Before reading further, study the drawing below to familiarize yourself with the important components of your Teeter Inversion Table.



The EP-560 is shown here.
Your actual model may vary.

Identifying Parts and Components

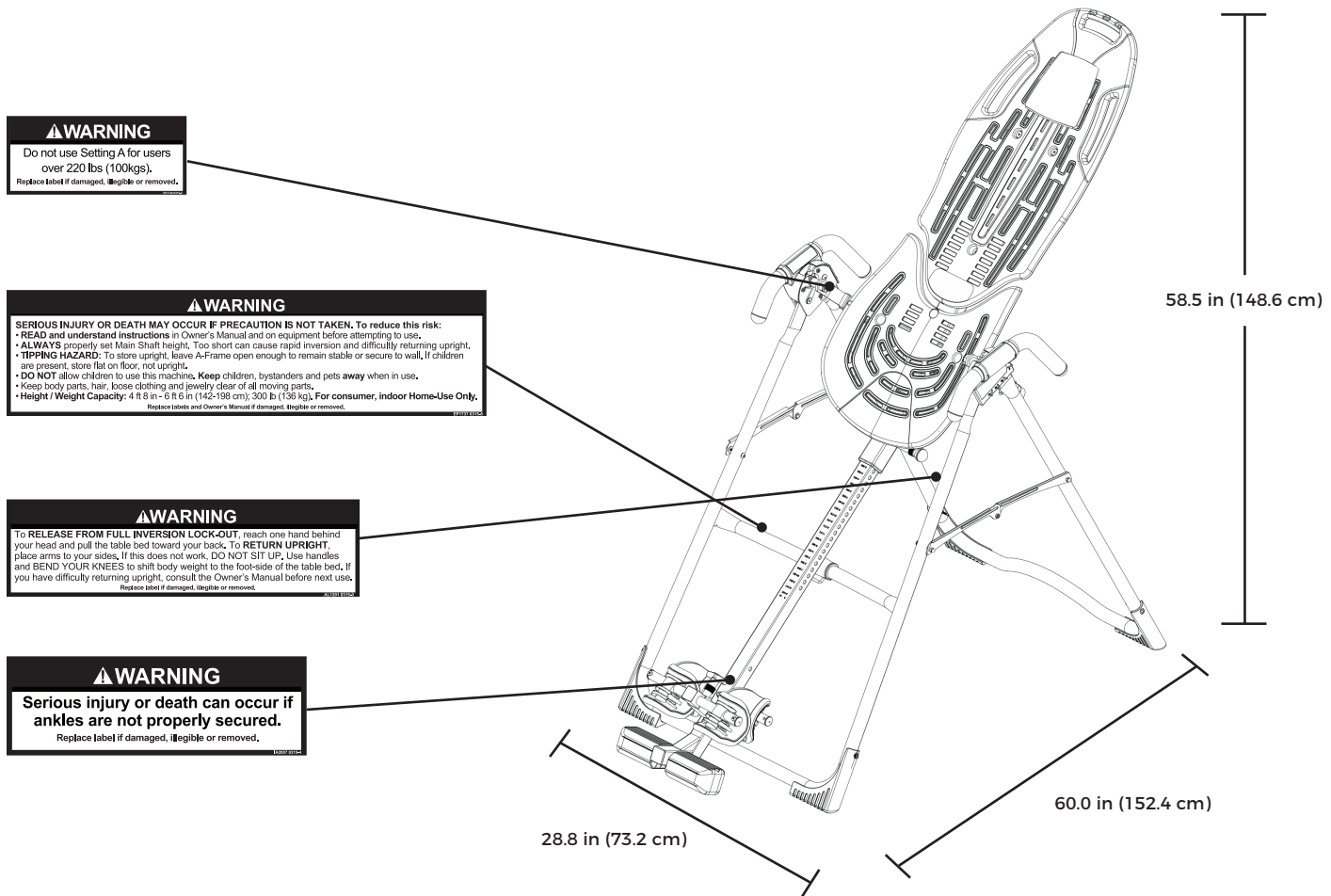
1	Head Pillow	7	3-Hole Roller Hinges	13	A-Frame
2	Bed Frame Extension	8	Handles	14	Main Shaft
3	ComforTrak™ Table Bed	9	Height-Selector Locking Pin	15	Ankle Lock System
4	Pivot Pins	10	Spreader Arms	16	Ankle Comfort Dial™
5	Hinge Plates	11	Angle Tether	17	Non-Skid Stability Feet
6	Self-Locking Hooks	12	Crossbar		

Safety Warning Labels & Product Specifications

Important: Please review all labels and supporting materials before using your inversion table.

This drawing indicates the locations of the warning labels found on your product. If a label is missing, illegible or is removed, contact Teeter Customer Service to request a complimentary replacement label.

Note: Image and labels below not shown at actual size.



The EP-560 is shown here.
Your actual model may vary.

Assembled Non-Use Dimensions: 60.0 (L) x 28.8 (W) x 58.5 in (H) (152.4 x 73.2 x 148.6 cm)
Maximum In-Use Dimensions: 84.0 (L) x 28.8 (W) x 86.0 in (H) (213.4 x 73.2 x 218.4 cm)
Storage Dimensions: 20.0 (L) x 28.8 (W) x 66.0 in (H) (50.8 x 73.2 x 167.6 cm)

Weight (approx.): EP-560: 59 lbs (26.7 kg)
 EP-860: 61 lbs (27.7 kg)
 EP-960: 65 lbs (29.5 kg)
 EP-970: 65 lbs (29.5 kg)

Before Beginning Assembly

Unpack and Prepare Your Workspace

- If possible, set up the product at or near the space in which you intend to use it to avoid moving it later.
- Unpack all parts and support materials. Set aside packing materials and clear your work area.
- Locate the Hardware Kits, packaged with the manuals. They are labeled to correspond with the assembly process.
- The **Getting Started DVD** provides step-by-step instruction on how to assemble your product. You may find it helpful to follow along with the DVD by watching it on either your TV or computer. The DVD is divided into the following sections:
 - **Assembly** - Follow step-by-step instruction on how to assemble your inversion table.
 - **User Settings** - Personalize your inversion experience by adjusting four customizable settings.
 - **Use Instructions** - Learn how to test your balance and rotation control, and how to properly invert and return upright.
 - **Advanced Stretching & Exercises** - Use your Teeter for rotational stretches, sit ups, squats and more!
 - **BONUS Healthy Back and Body Routines***
Get guided instruction on stretches and exercises you can do on your own to help strengthen your back and gain flexibility.
*Not available in French or Spanish.

Making Assembly Even Easier with **BILT**.

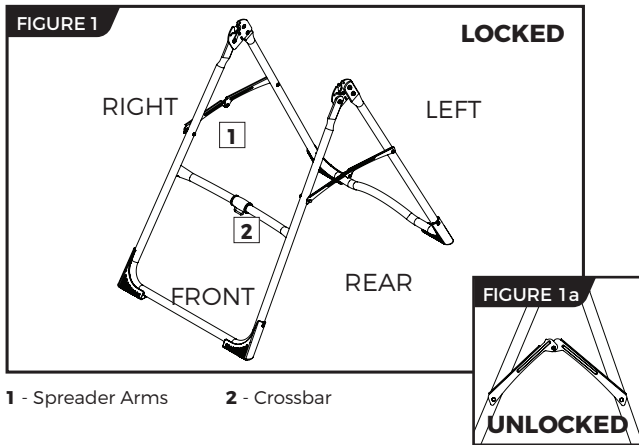


For step-by-step, 3D interactive instructions, download BILT (a FREE mobile app) to your smartphone to follow along. Simply download the BILT app by scanning the QR code below and then search for your model (EP-560, EP-860, EP-960 or EP-970) within the BILT app to get started!



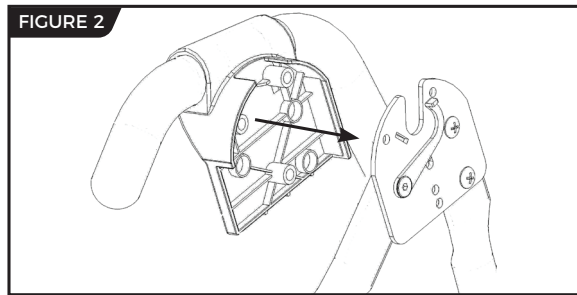
STEP ①

Assemble A-Frame Base & Stretch Assist Handles



- Follow these instructions if you have an EP-560 model.
- On a level surface, position the A-Frame so that it is standing upright and the Stability Feet are on the ground.
- Gently push down on the Spreader Arms to ensure they are fully open and in the "locked" position (Figure 1).
- Look for temporary circular assembly assistance labels on the A-Frame. **RIGHT, LEFT, FRONT,** and **REAR** indicate your position while using the equipment, not facing it. These labels can be removed easily upon completion of assembly.

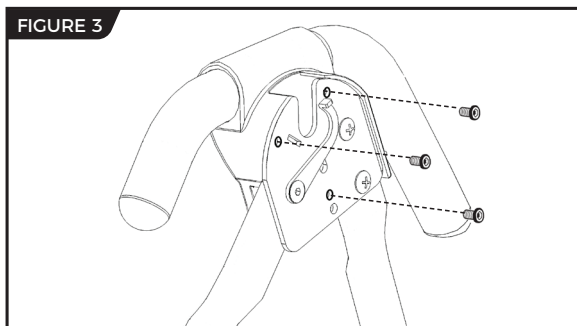
- Locate the Handle Assembly Hardware Kit (HK1008).



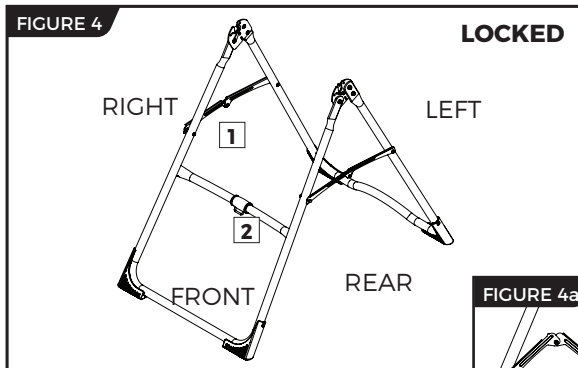
- Determine the left or right handles, marked with an embossed L / R on the inside of the black plastic part of each handle.
- Align the black plastic part of the corresponding handle (left / right) over the outside edge of the Hinge Plate on the A-Frame (Figure 2).

- Insert and loosely hand-tighten three of the Allen Head Screws through the Hinge Plate into the handle (Figure 3).

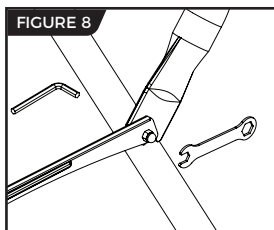
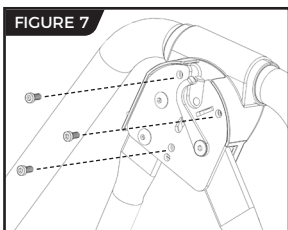
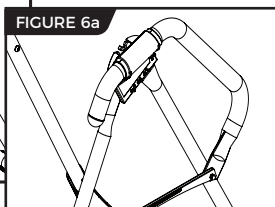
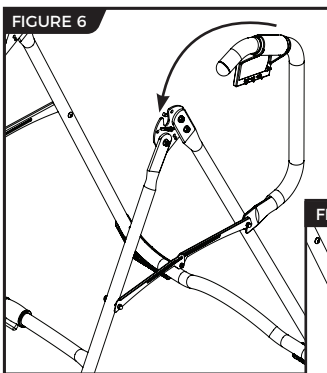
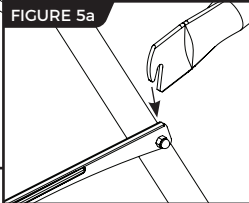
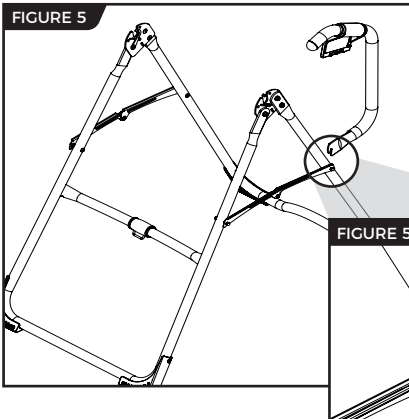
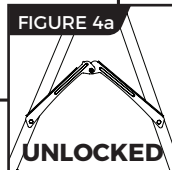
- Repeat with other handle. Tighten all fasteners with the Allen Wrench provided, being careful not to over-tighten.



- Proceed to Page 8 for Step 2.

STEP ①**Assemble A-Frame Base & Stretch Max Handles**

1 - Spreader Arms 2 - Crossbar



- Follow these instructions if you have an EP-860, EP-960, or EP-970 model.
- On a level surface, position the A-Frame so that it is standing upright and the Stability Feet are on the ground.
- Gently push down on the Spreader Arms to ensure they are fully open and in the "locked" position (Figure 4).
- Look for temporary circular assembly assistance labels on the A-Frame. **RIGHT**, **LEFT**, **FRONT**, and **REAR** indicate your position while using the equipment, not facing it. These labels can be removed easily upon completion of assembly.
- Locate the Handle Assembly Hardware Kit (HK1008).
- Determine the left or right handles, marked with an embossed L / R on the inside of the black plastic part of each handle.
- Position the lower handle portion of the corresponding handle (left / right) at the rear junction of the A-frame leg and Spreader Arm (Figure 5 & 5a). The Lower Handle Bolt with Spacer has been assembled loosely so that you will be able to seat the U-shaped portion of the lower handle over the Spacer in between the Spreader Arm and the A-frame leg. Do not tighten the bolt yet.
- Keeping the lower handle portion seated onto the Spacer, align the upper handle portion's black plastic part over the outside edge of the Hinge Plate on the A-Frame (Figure 6 & 6a).
- Insert and loosely hand-tighten three of the Allen Head Screws through the Hinge Plate into the handle (Figure 7).
- Now tighten the Lower Handle Bolt using the Allen Wrench and Open Wrench provided, ensuring that it is fully secured but not over-tightened (Figure 8).
- Finally, tighten the Allen Head Screws for the upper handle using the Allen Wrench provided.
- Repeat these steps on the other handle.

STEP ②

Assemble Roller Hinges to Table Bed

NOTE: Some models come with Traction Handles pre-assembled to the Roller Hinges. However, the assembly instructions detailed below still apply.

- Familiarize yourself with the 3-Hole Roller Hinge and Cam Lock terms (Figure 9).

⚠ WARNING

NEVER disassemble the Roller Hinge Pivot Pin. ALWAYS insert the 3-Hole Roller Hinge (with the Pivot Pin on top and facing out) in the same direction as the arrow label located inside of the Cam Lock for proper assembly.

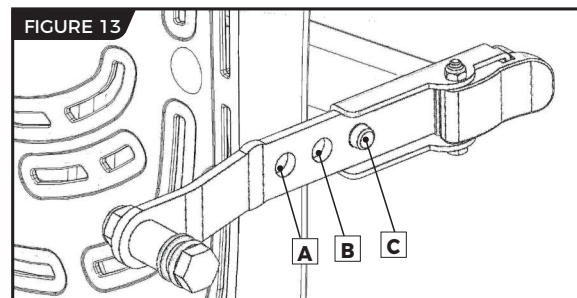
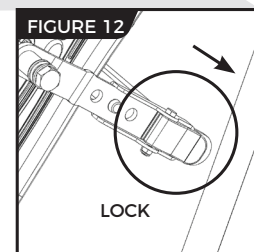
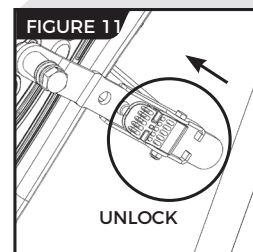
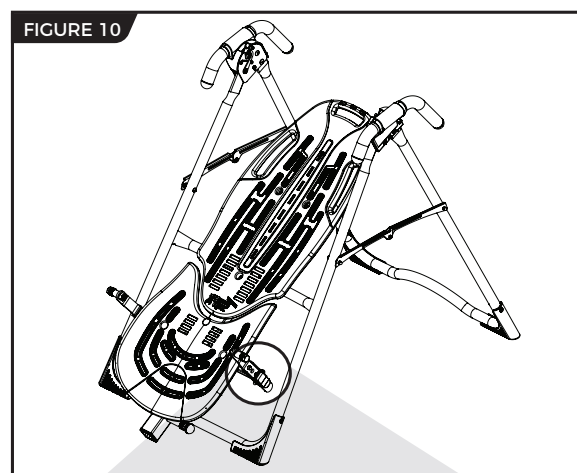
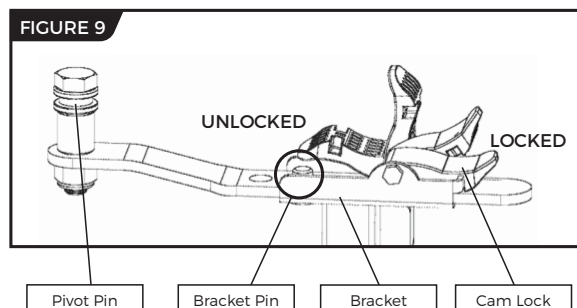
- For ease of assembly, rest the Table Bed against the Crossbar (Figure 10) at the front of the A-Frame.
- On one side of the Table Bed, lift and hold the Cam Lock up all the way to unlock (Figure 11).
- In your other hand, hold one Roller Hinge near the Pivot Pin. With the Pivot Pin facing out (away from the Table Bed), slide the bottom of the Roller Hinge between the Cam Lock and the Bracket in the same direction as the arrow label located inside of the Cam Lock.

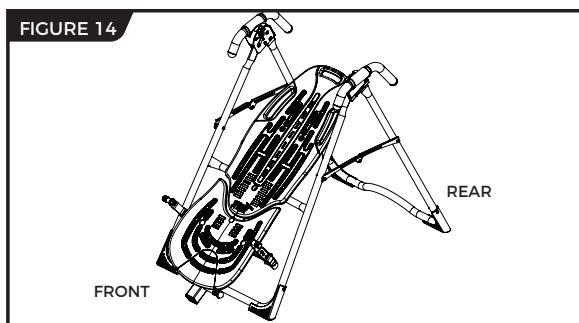
TIP: Make sure that the Cam Lock is completely open when inserting the Roller Hinge, otherwise assembly will be more difficult.

- Engage one of the holes in the Roller Hinge over the Bracket Pin. Figure 13 shows the Roller Hinge installed correctly, with the Bracket Pin engaged in Setting C.

NOTE: Refer to the Owner's Manual for an explanation of the hole settings. If you are unsure, use Setting C to start.

- Push down on the Cam Lock (Figure 12) to lock it and secure the Roller Hinge.
- Repeat on other side. Make sure the Roller Hinges are in the same hole setting on both sides.



STEP 3**Assemble Table Bed to A-Frame**

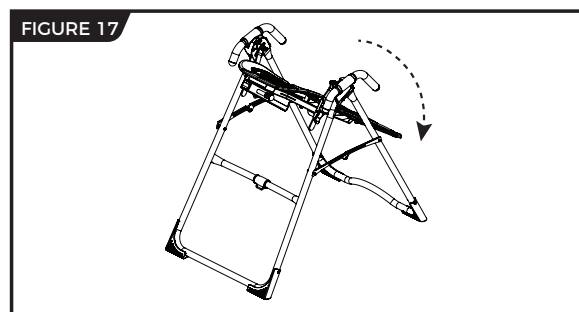
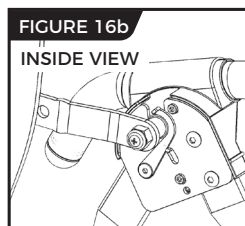
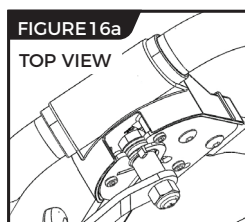
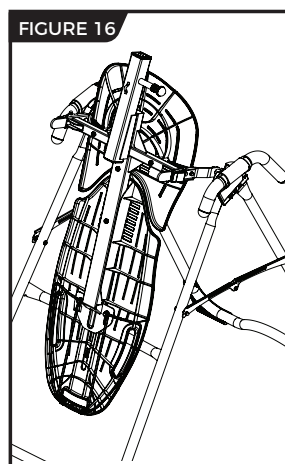
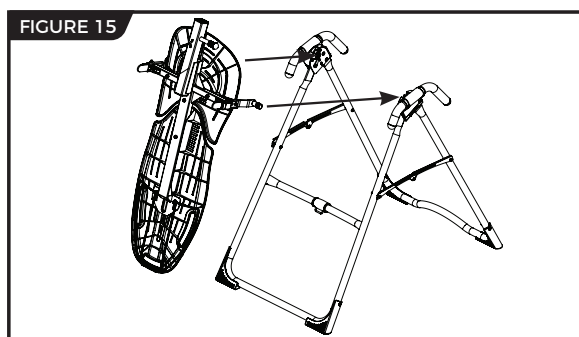
· Face the front of the A-Frame where the Crossbar is located (Figure 14).

· Grasp both Roller Hinges, right above the Cam Lock, and lift the Table Bed. Allow the top of the Table Bed to rotate toward the floor, so that the back of the Table Bed is now facing you and the top of the Table Bed is in front of the Crossbar (Figure 15).

· Lower each Roller Hinge Pivot Pin into the A-Frame hinge plates, one side at a time (Figure 16). The Self-Locking Hooks will open to allow the Pivot Pin into the Hinge Plate slot, then automatically snap closed over the Pivot Pin.

TIP: You may need to push outward on the Hinge Plate in order for the second Pivot Pin to lock in place.

· Make sure that each Pivot Pin is seated at the base of the slot in the Hinge Plates, and that the Self-Locking Hooks have closed over both Pivot Pins (Figures 16a & 16b).

**⚠ WARNING**

Failure of the Self-Locking Hooks to close over both Roller Hinge Pivot Pins is an indication of improper assembly and if not corrected could result in serious injury or death!

· Rotate the Table Bed into the use position (Figure 17). Ensure that it rotates smoothly. See also Image A on Page 12 to ensure correct assembly.

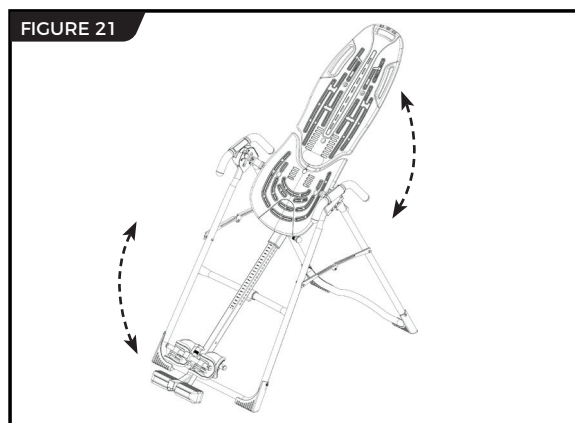
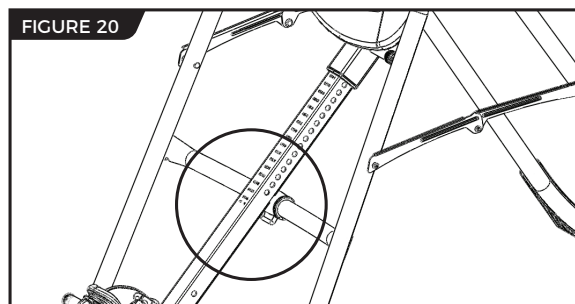
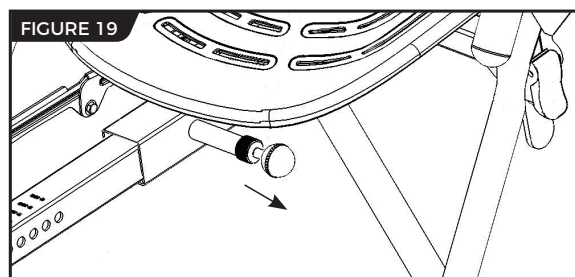
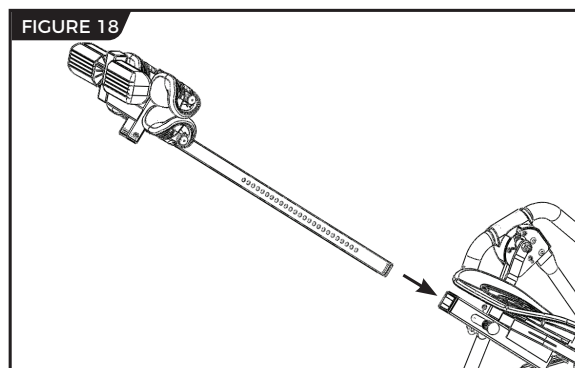
STEP 4**Assemble Main Shaft to Table Bed**

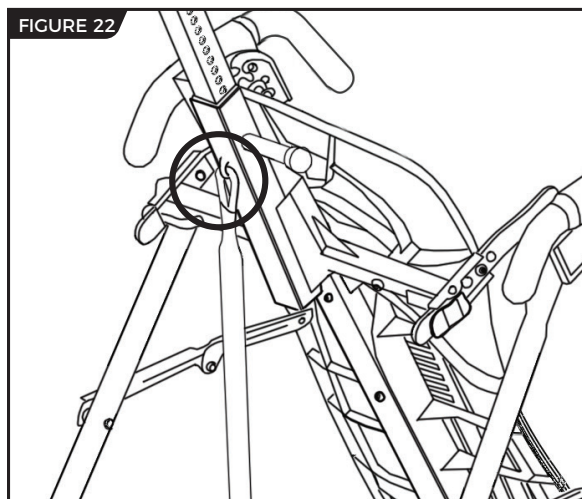
- Your model's Main Shaft may differ from what is shown in the figures, however the assembly instructions remain the same.
- Facing the front of the A-Frame, hold the Main Shaft in your left hand with the height markings facing up. Slide the end of the Main Shaft into the Main Shaft Housing (Figure 18), located at the base of the Table Bed.
- With your right hand, pull out the Height-Selector Locking Pin (Figure 19) to allow the Main Shaft to slide in further and release in the desired height setting. Refer to the Owner's Manual for more information on selecting your height setting.
- The Main Shaft **MUST REST** against the Crossbar bumper on the A-Frame (Figure 20).

IMPORTANT: The Crossbar prevents the Table Bed from rotating forward when the user steps on the Ankle Comfort Dial. If the Main Shaft does not rest on the Crossbar bumper as shown in Figure 20, then the Table Bed has been assembled backwards onto the A-Frame.

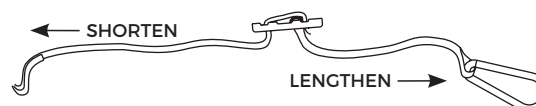
This **MUST BE CORRECTED** before use. See also Image B on Page 12 to ensure correct assembly.

- Test the inversion table by hand for smooth and steady rotation (Figure 21) and ensure that all fasteners are secure.

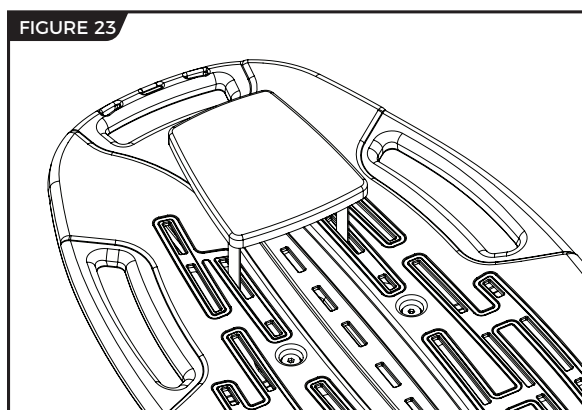


STEP 5**Attach Angle Tether & Head Pillow****Attach Angle Tether**

- The tether will come pre-assembled to the A-Frame.
- Unfold the adjustable tether and clip it to the U-Bar on the underside of the Table Bed (Figure 22).
- Slide the buckle to lengthen or shorten the strap depending on your desired maximum angle of inversion.

**EZ-Angle Tether Accessory**

Some models may come with the EZ-Angle Tether, embroidered with color-coded angle markers at 20° (GREEN), 40° (ORANGE), or 60° (RED). Simply slide the buckle so its center aligns with your desired color setting.

**Attach Head Pillow**

Attach the Head Pillow by securing the Velcro Straps through the specified holes in the Table Bed (Figure 23), which allow the pillow to shift with the user when in use. You may also customize the position depending on your preference.

Misassembly Check

⚠ WARNING

If your Teeter Inversion Table looks like either of these images, your inversion table has been misassembled and is unfit for use. Improper assembly could result in serious injury or death!

Image A

Go back to Step 2 for instruction.
Demonstrates that the Roller Hinges have been assembled upside down into the Table Bed and must be corrected.

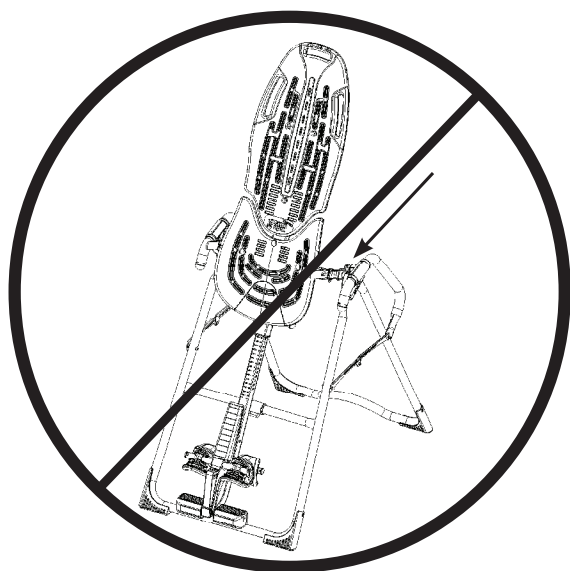
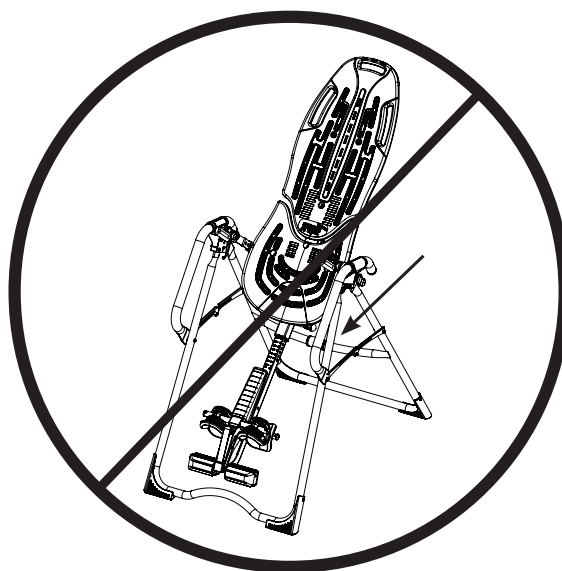
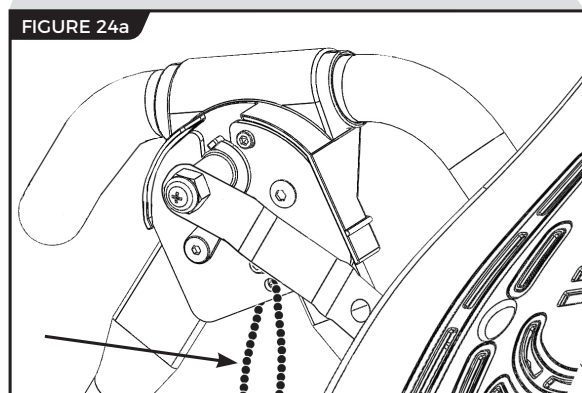
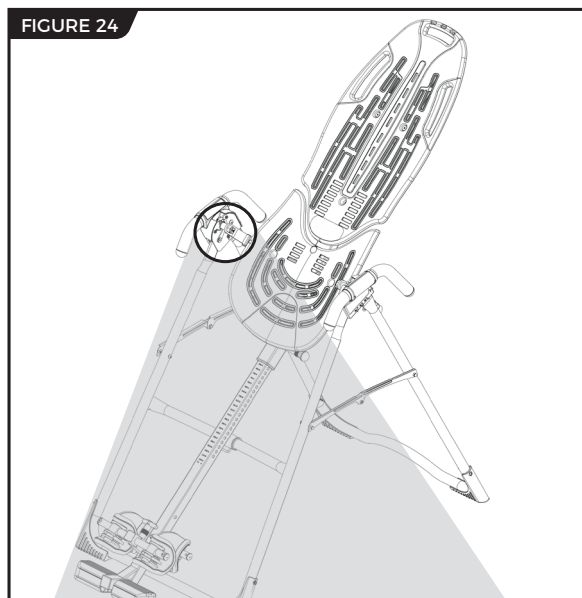


Image B

Go back to Step 3 for instruction.
Demonstrates that the Table Bed has been assembled into the A-Frame backwards so the Main Shaft is not resting on the Crossbar and must be corrected.



Before Inverting



Ensure Owner's Manual is Attached

The Owner's Manual contains important information on how to use your Teeter Inversion Table, including how to personalize the user settings, properly secure and release the Ankle Lock System, and test and adjust the rotation control.

- If not already attached, thread the provided metal chain through the pre-punched hole in the upper corner of the Owner's Manual.
- Secure the chain to the A-Frame through the designated hole in the Hinge Plate (Figure 24 & 24a). Allow the Owner's Manual to hang freely on the outside of the A-Frame Spreader Arms so it doesn't interfere with the rotation of the Table Bed.

IMPORTANT: Once attached to the A-Frame, **DO NOT** remove the Owner's Manual. It should remain permanently attached to your inversion table to serve as a reference for all users in regards to proper adjustment and use of the equipment.

! WARNING

Read the Owner's Manual thoroughly before using your Teeter Inversion Table. Improper settings could result in serious injury or death!

View the Remainder of the DVD

The Getting Started DVD is a helpful supplement to the Owner's Manual, with easy-to-follow instructions on user settings, how to invert, storage and maintenance, and even stretching and exercises you can do with your Teeter.

Download TeeterLink™

Get more from your inversion sessions by downloading the TeeterLink™ app to your phone to track usage and pain levels, get reminders and customized guidance, access support, and more! Scan the code or search TeeterLink in your app store to get started!



The Teeter warranty set forth below and on Teeter's website applies to US and Canadian customers only. For international customers, please consult your local distributor for warranty information which will vary depending on country.



During the period starting with the day of retail purchase and continuing for five (5) years, Teeter extends to the owner a repair and replacement warranty against manufacturing defects in materials, workmanship, fabrics and padding. Teeter will repair or replace any such defect and will pay the costs of all parts, labor and transportation. If a repair or replacement is not commercially practical or cannot timely be made, then Teeter will, at the original Purchaser's option, replace with a comparable product or refund the purchase price.

Handling and transportation costs related to product warranty service only are covered by this warranty. This warranty does not cover damage resulting from improper handling, assembly, or installation, repairs made by others, accident, misuse, or abuse. Under no circumstances shall Teeter, or any other party involved in the sale of this product, have any liability for incidental or consequential damage arising from breach of an express or implied warranty on any Teeter product.

EXCEPT AS SET FORTH ABOVE, NO WARRANTY IS GIVEN WITH RESPECT TO ANY TEETER PRODUCT, AND ALL EXPRESS WARRANTIES ARE DISCLAIMED. This warranty shall be governed by the laws of the State of Washington, USA. To the extent this warranty is found not to be enforceable, it shall be deemed revised to the extent necessary to make it enforceable. This warranty and any controversy or claim arising out of this warranty or its interpretation shall be governed by the laws of the State of Washington, USA. Any controversy or claim arising out of or relating to this warranty, its interpretation, or any alleged breach thereof, which cannot be amicably settled between Teeter and the owner within sixty (60) days of written notice by the aggrieved party to the other, shall be finally settled by arbitration submitted to three (3) arbitrators selected from the panels of the arbitrators of the American Arbitration Association located closest to Teeter's principal place of business.

Some states do not allow the exclusion of incidental or consequential damage from a warranty, so the above limitation or exclusion may not apply to you. Some states do not allow limitations on how long an implied warranty lasts, so the above limitation may not apply to you. This warranty gives you specific legal rights, and you may also have other rights which may vary from state to state. This warranty is completely transferable to any and all future owners of this product, provided no alterations have been made to the product.

HOW TO SUBMIT YOUR REGISTRATION:

Step 1

Fill out this information for your own records.

 Date of Purchase

 Product & Model

Step 2

Go online to teeter.com to register your warranty.

 Dealer Name

 Serial No.

If you are unable to go online, you can request a warranty card to be mailed to you by calling Customer Service at 800-847-0143. Please DO NOT mail this to Teeter.



PLEASE RETAIN THIS FOR YOUR RECORDS



Roger Teeter
Founder & Innovator



If you have any trouble assembling the equipment, or questions about its use, please contact customer service.

USA: 800-847-0143 or info@teeter.com

International: info@teeterintl.com

Check out the selection of products and accessories available at teeter.com!

USA: Teeter
9902 162nd St. Ct. E.
Puyallup, WA 98375
Toll Free: 800-847-0143
Fax: 800-847-0188
teeter.com | info@teeter.com

International: Teeter International, Ltd.
Gor-Ray House
758 Great Cambridge Rd
Enfield
Middlesex EN1 3GN
United Kingdom
teeterintl.com | info@teeterintl.com



Any modification to this device will void the UL Listing.



Medical Device Safety Service
GmbH
Schiffgraben 41
30175 Hannover
Germany
Tel. +49 511 62628630



Teeter Decompression Devices are multiple user, reusable devices for home use, intended to provide traction to the spine while stretching the para-spinal muscles and soft tissues. The devices provide non-powered traction and are meant for use by adults.

Use of the Teeter Decompression Devices is indicated for the following conditions: back pain, muscle tension, degenerative disc disease, spinal degenerative joint disease, spinal stenosis, herniated disc, spinal curvature due to tight muscles, sciatica, muscle spasm, and facet syndrome.