



# C Prox Ltd (inc Quantek)

## Touch sensors manual

### Contents

1. Products details .....	2
1.1 Features .....	2
1.2 Hardwired specification .....	2
1.3 Radio specification .....	2
1.4 Receiver specification .....	2
2. Fitting instructions .....	3
2.1 Architrave & Round.....	3
2.2 Square .....	4
2.3 Single gang .....	5
2.4 Glass .....	5
3. Wiring diagrams.....	6
4. Radio programming .....	7
5. Contact details .....	8



# 1. Products details

## 1.1 Features

- Modern touch/proximity sensitive switches for activation and access control
- Available in hardwired or radio
- Choice of 316 marine grade stainless steel label, or hard coated, scratch resistant, anti-microbial Steritouch anti-reflective acrylic label
- Customised labels available
- Anti-microbial housings using Steritouch technology
- Entire label is touch sensitive
- Weatherproof

## 1.2 Hardwired specification

- 12-28Vdc
- Sensitivity adjustment (Touch to handsfree)
- Timed clean relay output
- Selectable red, green or blue LED's
- Sounder on activation

## 1.3 Radio specification

- 868MHz
- 4 x AA batteries
- Approximately 100,000 operations
- Sounder & green LED on activation
- Battery saving design, unit will only activate once if hand left on

## 1.4 Receiver specification

- 12/24Vdc
- 868MHz
- 2 channel
- Momentary/bi-stable selectable relays
- Relay rating 1A@24Vdc
- 200 code memory

## 2. Fitting instructions

### 2.1 Architrave & Round

Ascertain fixing height

Use back plate to mark cable hole and screw fixing points, round unit can be angled towards approaching users

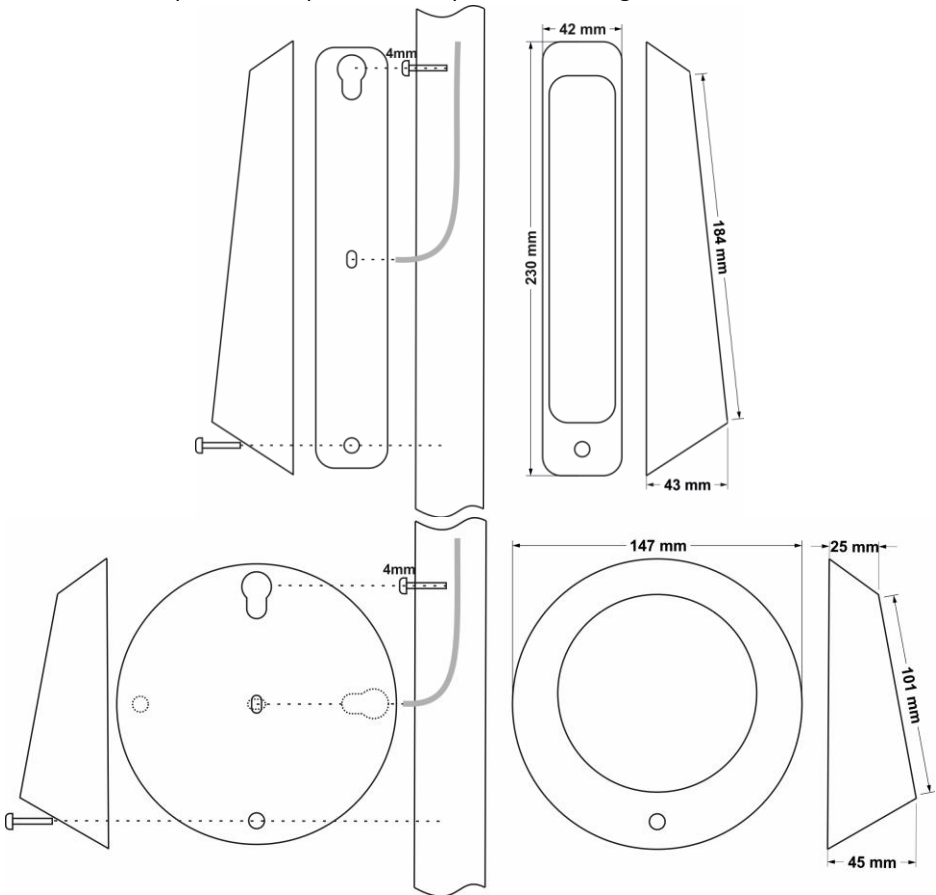
Fix top retaining screw (No 8 or 10) leaving 4mm of screw shaft protruding

Fit back seal to rear of back plate (if being used externally)

Place cable through back plate and make connections (see page 6) or connect battery clip and program to receiver (see page 7)

Place back plate in position, hook unit onto the top retaining screw and fit bottom retaining screw

Remove yellow adhesive backing(s) and carefully attach the label (round only). If hardwired, de-power first, power back up after attaching the label



## 2.2 Square

Remove signage plate by unscrewing the two security screws with driver provided

Ascertain fixing height

Use box to mark the four fixing points

Use 20mm knockout and place cable through if hardwiring

Remove paper backing from the seal on the back of the box (leave in place if securing to a wallpapered surface) and secure box to the wall with 4 x No8 screws

Make connections (see page 6) or connect battery clip and place battery holder in the marked compartment on the right of the box, then program into the receiver (see page 7)

Place signage plate back into the box and insert the two security screws. If hardwiring, remove the paper backing from the signage plate. If radio leave paper backing in place to allow easy removal when changing batteries

To remove signage plate in order to change batteries, remove security screws, insert a small screwdriver into the corner and gently lever out

**Do not over tighten screws!**

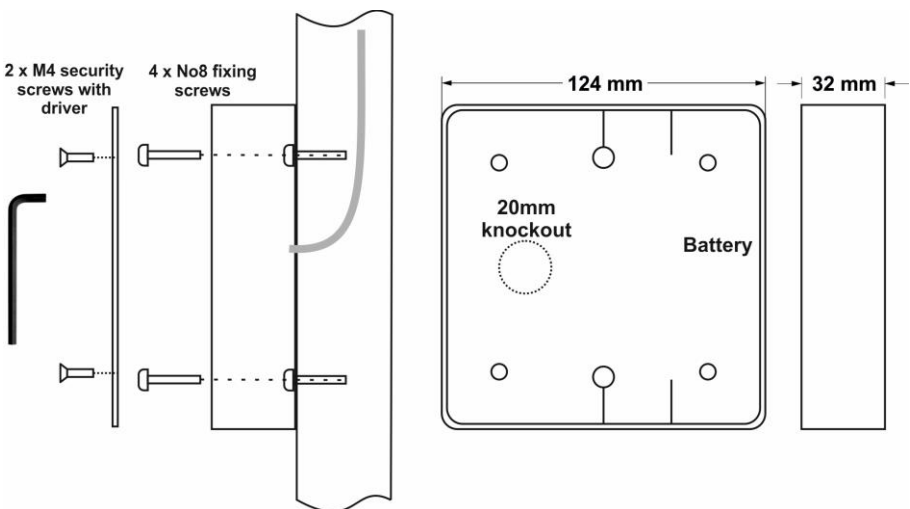
Illuminated:

Fit box to the wall as above

Make connections (see page 6). LED connections go to LED panel rather than TS PCB

Place signage plate back in the box and insert the two security screws

**Important!** If using an acrylic label, ensure the unit is fully functional. De-power, remove the yellow adhesive backing and carefully attach the label. Power up



## 2.3 Single gang

Internal quality only

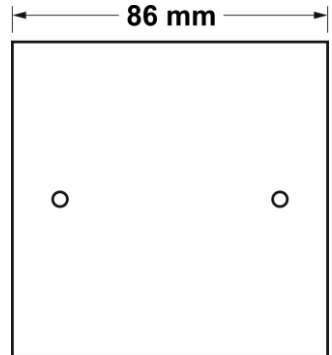
Fits any UK plastic or metal back-box, surface or flush

Attach back-box to wall

Place cable through and make connections (see page 6)

Attach plate to box using the two 3.5mm bolts supplied

If label is supplied unattached, ensure unit is fully functional before fitting. De-power, remove the yellow adhesive backing and carefully attach the label, power up



## 2.4 Glass

Please note this unit will not function on UPVC door sets or if glass has been treated with any metallic element

Choose location and height

If hardwiring, drill hole in side of box for cable entry

Clean & dry glass

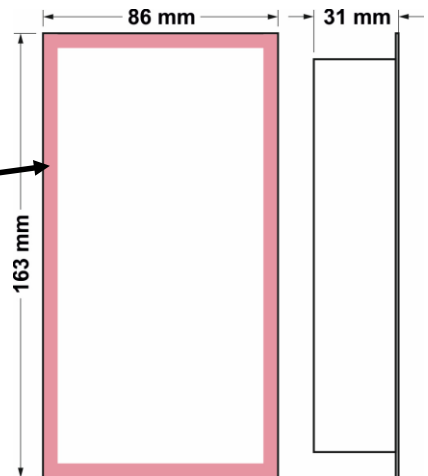
Ensure label is free of debris

Remove pink adhesive cover

Carefully position squarely on the glass, applying pressure to ensure adhesion

Insert cable through hole and make connections (see page 6) or connect battery clip and program to receiver (see page 7)

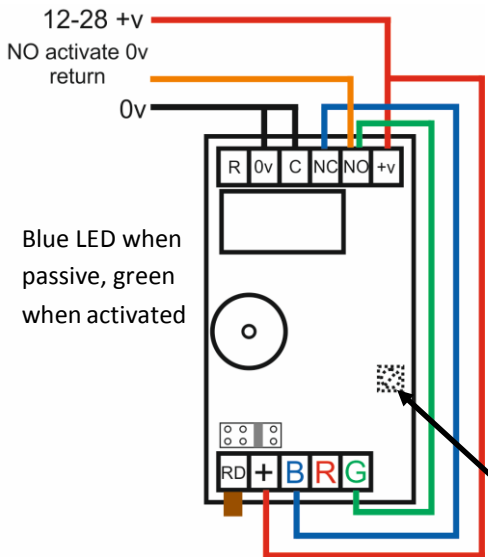
Place back of the box in place and tighten the 4 screws



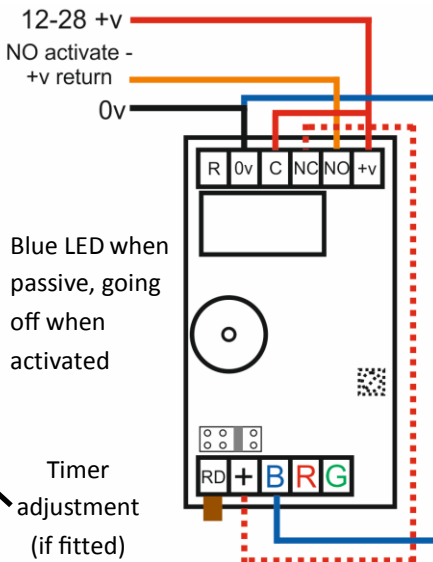
### 3. Wiring diagrams

Diagrams below show wiring for hardwired sensors. Alter LED colour configuration as required.

#### Normally open contacts. 0v return



#### Normally open contacts. +v return

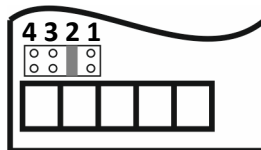


If using a square illuminated unit, connect LED wires to the terminals marked on the LED panel PCB rather, than the touch sensor PCB.

Sensitivity adjustment:

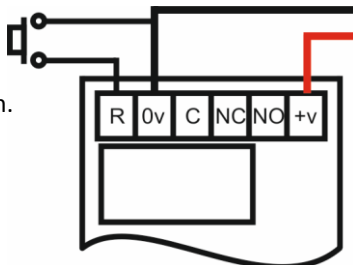
It is possible to alter the sensitivity of the unit. To do this, remove power and reposition jumper

High--Low



Remote switch:

It is also possible to connect a remote release switch. Momentary normally open switch connected across 0v and R



**Note: Never connect anything to RD terminal**

## 4. Radio programming

Supply receiver with 12/24Vdc, power LED will light if powered correctly

Wire relay outputs to activate terminals on the system (clean, normally open contacts)

Press and release the learn button, the learn LED will light up for 10 seconds

Within the 10 seconds operate the touch sensor

The learn LED will flash to confirm it has programmed

**Note: Standard touch sensors program to channel 1**

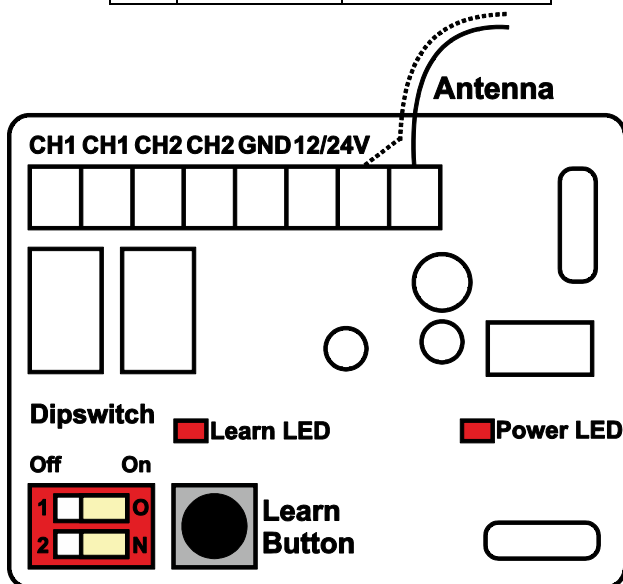
We can supply touch sensors with a dipswitch to select channel 1 or 2, but this must be specified when ordering. Dipswitch position: ON = CH1, OFF = CH2

It is also possible to program our handheld and desk mount transmitters (CFOB, FOB-M, FOB4-M, DDA1, DDA2) into this receiver using the same method. See transmitter box for more details

Reset:

To reset the receiver, press and hold the learn button for 10 seconds until the learn LED starts flashing. After this the memory will be deleted

Dipswitch settings		
	ON	OFF
1	CH1 - Bi-Stable	CH1 - Momentary
2	CH2 - Bi-Stable	CH1 - Momentary



## **5. Contact details**

Address:

59 Sheffield Road

Dronfield

Derbyshire

S18 2GF

Telephone: +44(0)1246 417113

Email: [sales@cproxltd.com](mailto:sales@cproxltd.com)

Website: [www.quantek.co.uk](http://www.quantek.co.uk)