



C Prox Ltd (inc Quantek)

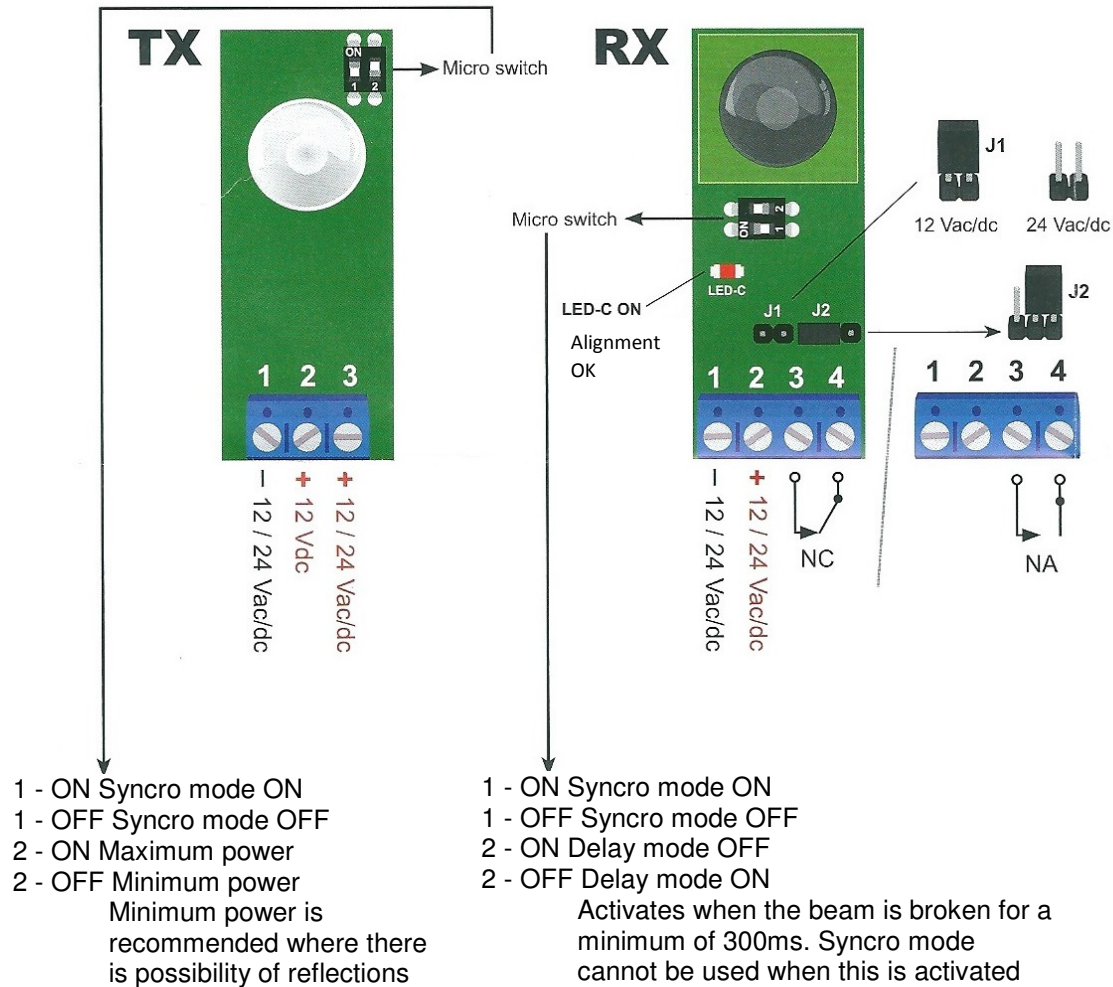
59 Sheffield Road, Dronfield, S18 2GF

+44(0)1246 417113 sales@cproxltd.com www.quantek.co.uk

Adjustable Through Beam Photocells

PC180

User Manual



PC180 Specifications

Power supply	12 or 24Vac/dc
Output	Normally open (NO) or normally closed (NC) relay contacts
Relay rating	1A @ 30Vdc, 0.5A @125Vac
Range	Up to 20 metres
Temperature	-20 to +60°C
Dimensions	103 x 33 x 36 mm
Protection	IP55

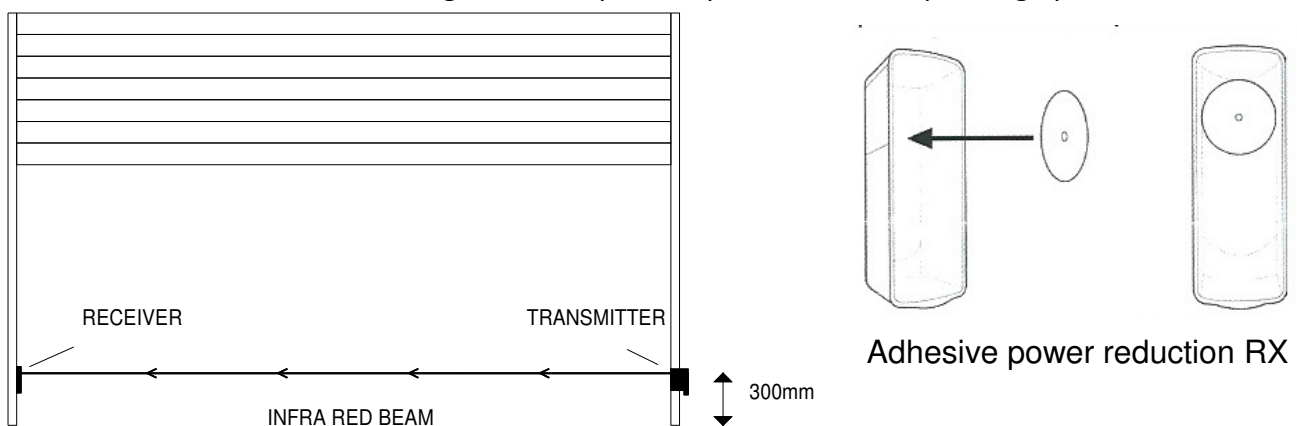
The PC180 comprises a pair of adjustable lens photocells, a transmitter and a receiver, these are installed either side of the door or gate opening creating an infra-red beam. If the beam is broken the shutter or gate will not operate or if it is moving it will stop or stop and reverse, dependent upon the control unit.

The photocells are normally positioned either side of the opening at a height of about 300mm.



Before installation ensure power to the control unit is switched off.

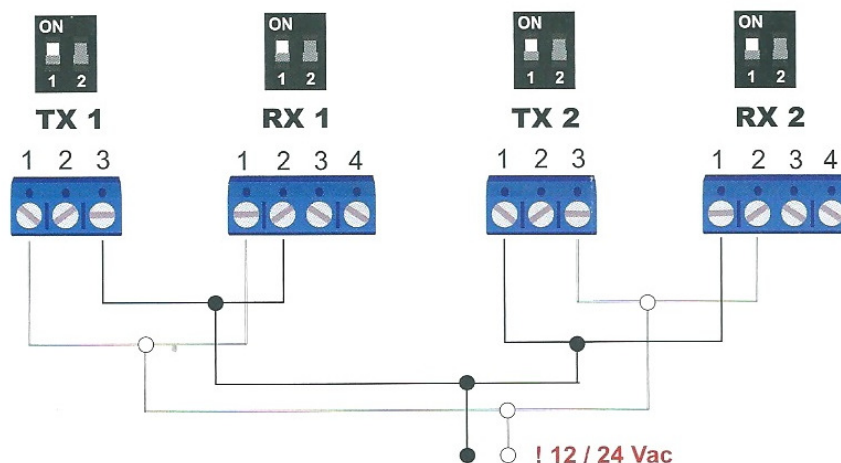
1. Remove the covers of both photocells and identify the receiver, it has the most terminals.
2. Run a 4-core cable, (eg alarm cable) from the door or gate control unit to the receiver and a two core cable from the control unit to the transmitter
3. Locate the auxiliary power output connections on the control unit, determine the output voltage and connect to the 12 or 24V power connections of the transmitter and receiver, if the supply is dc ensure that the negative is connected to terminal 1
4. Locate the safety input on the control unit (if there is a link remove it) and connect to 3 and 4 of the receiver
5. Fix the receiver to one side of the opening and the transmitter to the other. Switch on power to the control unit and adjust the photocell PCB's so that they align with each other. LED-C will light up to show that they are correctly aligned.
6. Operate the door or gate and break the beam by passing an obstacle through it, the LED-C light on the receiver will turn off and the door or gate will stop, or stop and reverse depending upon the control unit.



It is recommended: TX Micro switch 2-OFF minimum power and apply the adhesive inside the container of the RX photocell, particularly in cases of reflection (floors, walls and shiny or particularly reflecting surfaces, etc). If using two pairs of photocells simultaneously, for example inside and outside a sliding gate, pay attention on the parallelism to prevent any undesired reflection.

SYNCRO MODE – AC POWER SUPPLY

When 2 sets of photocells are used and there is a possibility of interference between them, use the syncro feature by connecting and setting dipswitches as shown below. **Note** AC power only.



NOTES:

1. If installed outdoors use a sealant around the cables where they enter the photocells.
2. The transmitter and receiver should be cleaned occasionally with a soft damp cloth.