

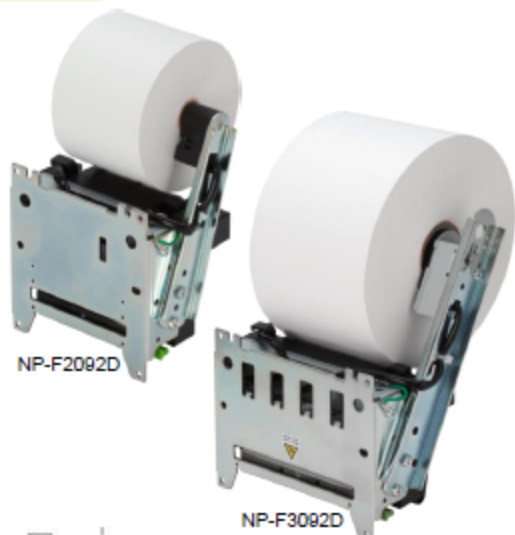


NP-F2092D

(formerly known as NP-K209)

NP-F3092D

Lock-free Cutter



NP-F2092D

NP-F3092D

10 ways of paper positioning

- Low price, super compact Kiosk printer
- Arm part position is user-configurable (upwards or backward or downwards)
- Roll paper set / eject direction is user-configurable either to right or left
- The printer position is user-selection either upright (face down print) or inverted (face up print)
- Optional bezel (BEZ-420/BEZ-430) is attachable

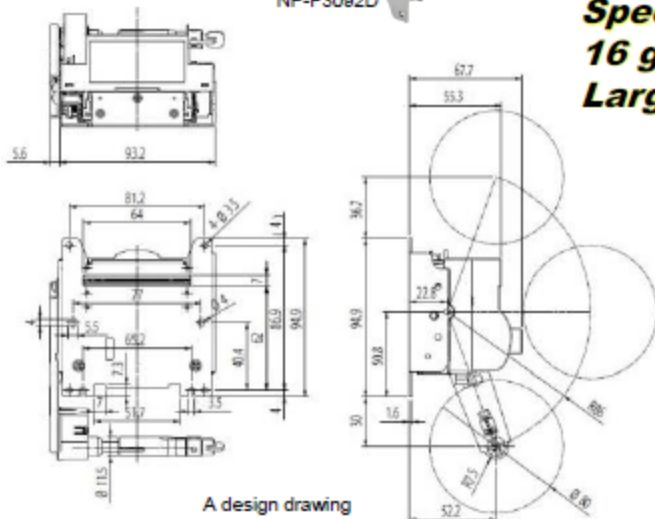
NP-F3692D

High speed

Lock-free Cutter

Thick Paper

Speed 250mm/sec.
16 gray scale
Large paper holder



A design drawing of NP-F2092D



*LED Bezel is an option

Model name	NP-F2092D	NP-F3092D	NP-F3692D	
Print Method	Direct line thermal dot			
Print Speed	Max.150mm/sec.	Max.100mm/sec.	Max.250mm/sec.	
Resolution	8dots/mm(203dpi)			
Number of dots / line	384dots	576dots	576dots (Default)	640dots
Paper width	58mm		80mm	
Print width	48mm	72mm	72mm (Default)	80mm (Max.)
Paper Diameter	Max.φ80mm	Max.φ120mm	Max.φ150mm	
Character	English, Polish, Russian, Scandinavian, Turkish ,Japanese		International, English, Greek, Polish, Russian, Scandinavian, Turkish, Chinese, Korean, Japanese	
Barcode	UPC-A, UPC-E, EAN-13, EAN-8, CODE39, ITF, CODABAR, CODE128, CODE93, GS1 DataBar, QR Code (model2)		UPC-A, UPC-E, EAN-13, EAN-8, CODE39, ITF, CODABAR, CODE128, CODE93, GS1 DataBar, PDF417, QR Code (model2)	
Interface	USB (V2.0 full speed) and Serial (RS232C)			
Cutter	Full cut and Partial cut (by command)			
Operating voltage	DC12V		DC24V	
External dimensions	98.8(W)x67.7(D)x132.4(H)mm (shipping form)	122.2(W)x97.8(D)x180.8(H)mm (shipping form)	139.8(W)x203(D)x110(H)mm (shipping form)	