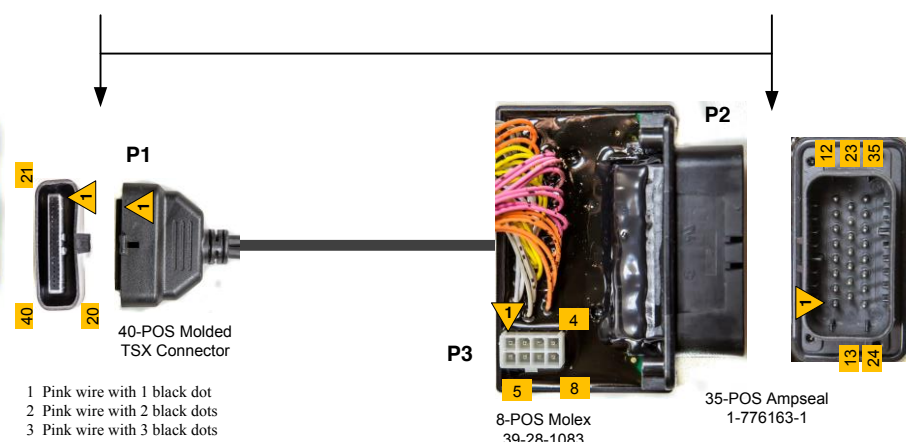


Navitas TAC AC Motor Controller
Controller Pinout (CP)

- 1 Digital Ground
- 2 +5V Output
- 3 Fused Ground
- 4 OnTheFly Programmer Regen Brake
- 5 Throttle Input
- 6 Analog Brake Input
- 7 Analog Ground
- 8 Reverse Switch Input
- 9 Digital Ground
- 10 Throttle Start Switch (Foot Switch)
- 11 OnTheFly Programmer Lock
- 12 Encoder Input C
- 13 Factory Programming
- 14 Serial RX Line
- 15 Serial TX Line
- 16 Digital Ground
- 17 Key Switch Input
- 18 Charger Interlock Input
- 19 Tow Switch Input
- 20 CAN +
- 21 Digital Ground
- 22 Logic Power
- 23 Analog Ground
- 24 Analog Ground
- 25 OnTheFly Programmer Acceleration
- 26 OnTheFly Programmer Speed
- 27 Motor Temperature Input
- 28 SOC Display Output
- 29 Analog Ground
- 30 +12V Output
- 31 Brake Switch
- 32 Encoder Input B
- 33 Encoder Input A
- 34 Forward Switch Input
- 35 Digital Ground
- 36 Reverse Buzzer Output
- 37 Motor Brake Solenoid Release
- 38 Main Solenoid Output
- 39 Brake Light
- 40 CAN-

TAC harness for EZGO Curtis RXV
Navitas Part Number: 40-000544



- 1 Pink wire with 1 black dot
- 2 Pink wire with 2 black dots
- 3 Pink wire with 3 black dots
- 4 Pink wire with 3 black dots
- 5 Pink wire with 1 red dot
- 6 Pink wire with 2 red dots
- 7 Pink wire with 3 red dots
- 8 Pink wire with 4 red dots
- 9 Orange wire with 1 black dot
- 10 Orange wire with 2 black dots
- 11 Orange wire with 3 black dots
- 12 Orange wire with 4 black dots
- 13 Orange wire with 1 red dot
- 14 Orange wire with 2 red dots
- 15 Orange wire with 3 red dots
- 16 Orange wire with 4 red dots
- 17 Yellow wire with 1 black dot
- 18 Yellow wire with 2 black dots
- 19 Yellow wire with 3 black dots
- 20 Yellow wire with 4 black dots
- 21 Yellow wire with 1 red dot
- 22 Yellow wire with 2 red dots
- 23 Yellow wire with 3 red dots
- 24 Yellow wire with 4 red dots
- 25 Gray wire with 1 black dot
- 26 Gray wire with 2 black dots
- 27 Gray wire with 3 black dots
- 28 Gray wire with 4 black dots
- 29 Gray wire with 1 red dot
- 30 Gray wire with 2 red dots
- 31 Gray wire with 3 red dots
- 32 Gray wire with 4 red dots
- 33 White wire with 1 black dot
- 34 White wire with 2 black dots
- 35 White wire with 3 black dots
- 36 White wire with 4 black dots
- 37 White wire with 1 red dot
- 38 White wire with 2 red dots
- 39 White wire with 3 red dots
- 40 White wire with 4 red dots



Navitas PN: 10-000686
OnTheFly Programmer

- P3**
- P1: (CP30) +12V PF
 - P2: (CP4) OTF Regen
 - P3: (CP26) OTF speed
 - P4: (CP25) OTF acceleration
 - P5: (CP2) +5V PF
 - P6: (CP11) OTF Lock
 - P7: (CP36) REV BUZ
 - P8: (CP7) Analog Ground

To OEM vehicle harness
EZGO RXV

- P2**
- P1: (CP17/CP22) KEY IN
 - P2: (CP36) REV BU
 - P3: NA
 - P4: (CP39) BRK L REL
 - P5: (CP37) BRKSOLEEN
 - P6: (CP38) MAIN SOLEN
 - P7: (CP23) LOG PWR GND
 - P8: (CP27) MT TEMP IN
 - P9: (CP10) FOOT SW IN
 - P10: (CP19) TOW SW IN
 - P11: (CP18) CH INTLK IN
 - P12: (CP31) BRK SW IN
 - P13: NA
 - P14: NA
 - P15: (CP2) +5V PF
 - P16: (CP5) THROT IN
 - P17: (CP6) BRAKE IN
 - P18: AGND
 - P19: NA
 - P20: NA
 - P21: NA
 - P22: (CP34) FORWARD IN
 - P23: NA
 - P24: NA
 - P25: NA
 - P26: (CP2) +5V PF
 - P27: NA
 - P28: NA
 - P29: NA
 - P30: (CP28) SOC
 - P31: (CP33) SPD A IN
 - P32: (CP32) SPD B IN
 - P33: (CP8) REVERSE IN
 - P34: NA
 - P35: NA