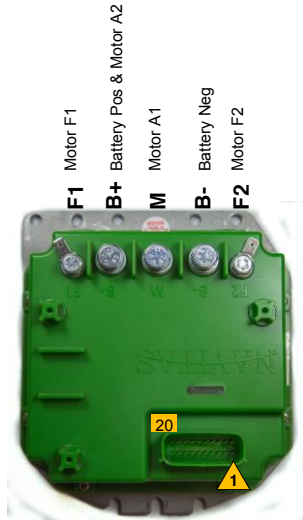


TSX harness for Yamaha G29

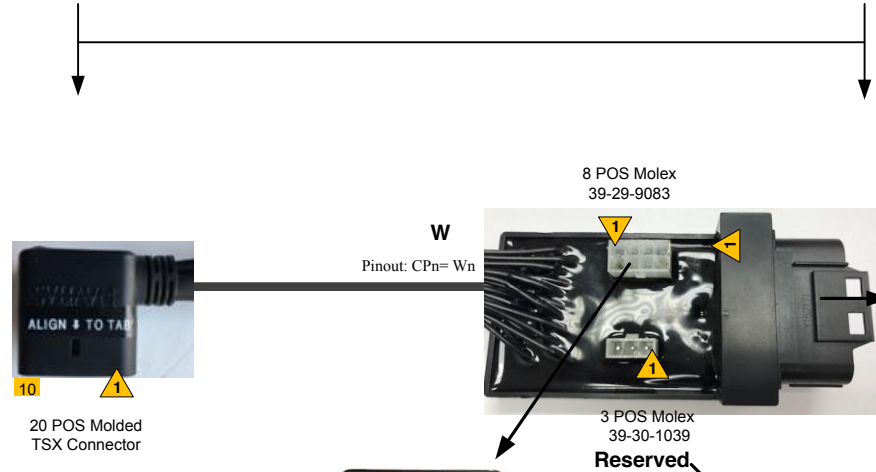
Navitas Part Number: 40-000513



Navitas TSX DC Shunt Controller

- P1: OTF LOCK
- P2: XCAN_N
- P3: XCAN_P
- P4: SPEED SENSOR SIGNAL
- P5: CHARGER INTERLOCK
- P6: REV IN
- P7: FWD IN
- P8: KEY
- P9: GND
- P10: LOGIC POWER
- P11: +5V EXT
- P12: OTF ACCELERATION
- P13: OTF SPEED
- P14: OTF REGEN
- P15: THROTTLE IN
- P16: +12V POLY
- P17: FOOT SWITCH
- P18: GND POLY
- P19: REVERSE BUZZER
- P20: LINE CONTACTOR

- P1: RED
- P2: RED/BLACK
- P3: WHITE
- P4: WHITE/BLACK
- P5: GREEN
- P6: GREEN/BLACK
- P7: BLUE
- P8: BLUE/BLACK
- P9: BROWN
- P10: BROWN/BLACK
- P11: ORANGE
- P12: ORANGE/BLACK
- P13: PURPLE
- P14: PURPLE/BLACK
- P15: PINK
- P16: PINK/BLACK
- P17: YELLOW
- P18: YELLOW/BLACK
- P19: GREY
- P20: GREY/BLACK

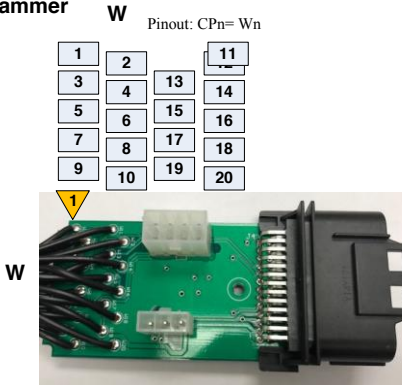


20 POS Molex TSX Connector



Navitas PN: 10-000686 OnTheFly Programmer

- P1: +12V PF
- P2: OTF Regen
- P3: OTF speed
- P4: OTF acceleration
- P5: +5V PF
- P6: OTF Lock
- P7: REV BUZ
- P8: AGND



W

To OEM vehicle harness Yamaha G29

26 POS Molex MX23A26NF1

- P1: NA
- P2: Charger Interlock Signal
- P3: (CP20) Line Contactor
- P4: (CP19) Rev Buzzer
- P5: (CP11) +5V
- P6: (CP18) GND Poly
- P7: (CP15) Throttle In
- P8: (CP8) Key
- P9: (CP6) Rev In
- P10: (CP7) Fwd In
- P11: (CP17) Foot Switch
- P12: (CP10) Logic Power
- P13: (CP10) Logic Power
- P14: (CP4) Speed Sensor
- P15: (CP11) +5V
- P16: (CP18)GND Poly
- P17: NA
- P18: NA
- P19: NA
- P20: NA
- P21: NA
- P22: NA
- P23: NA
- P24: (CP18) GND Poly
- P25: (CP11) +5V
- P26: (CP4) Speed Sensor

CP=Controller Pinout