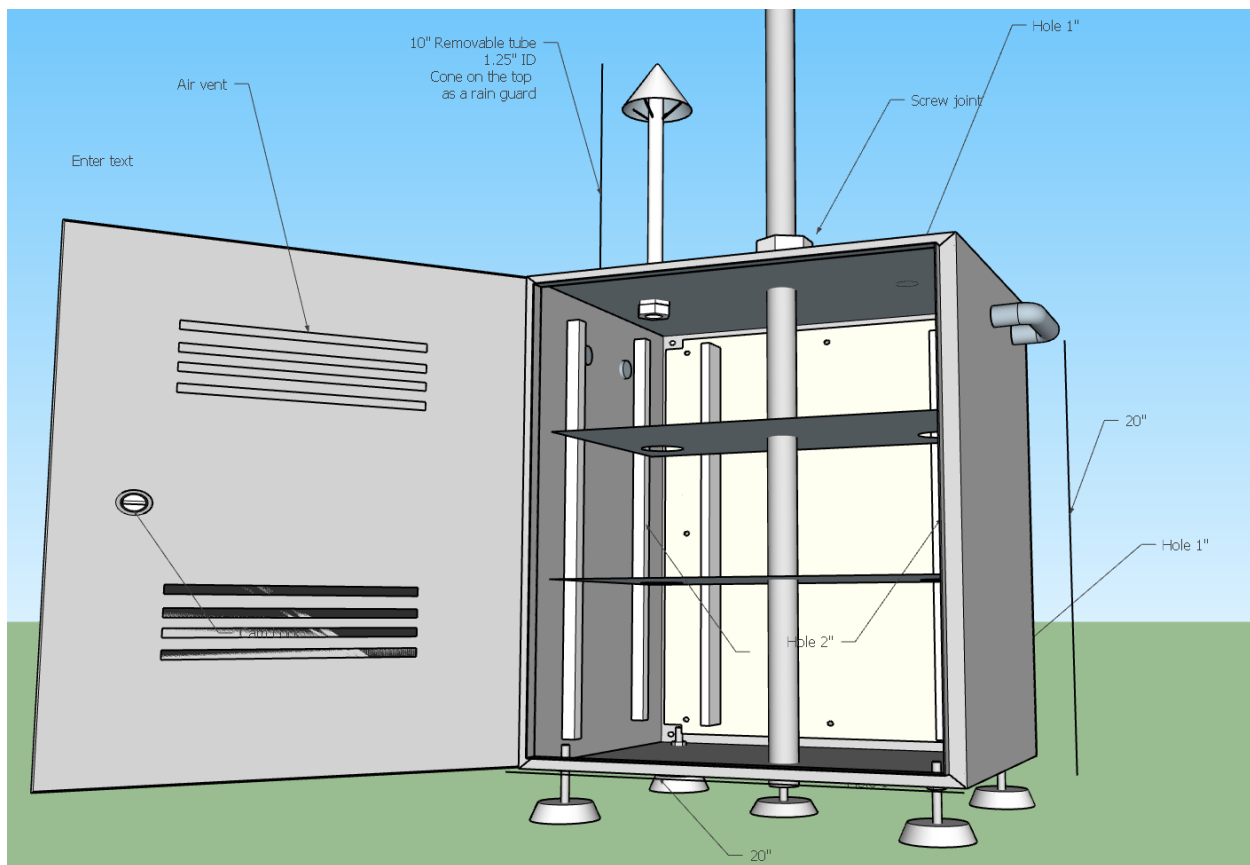


Environmental Enclosure Prototype V4

Andy Hong

9/8/2015

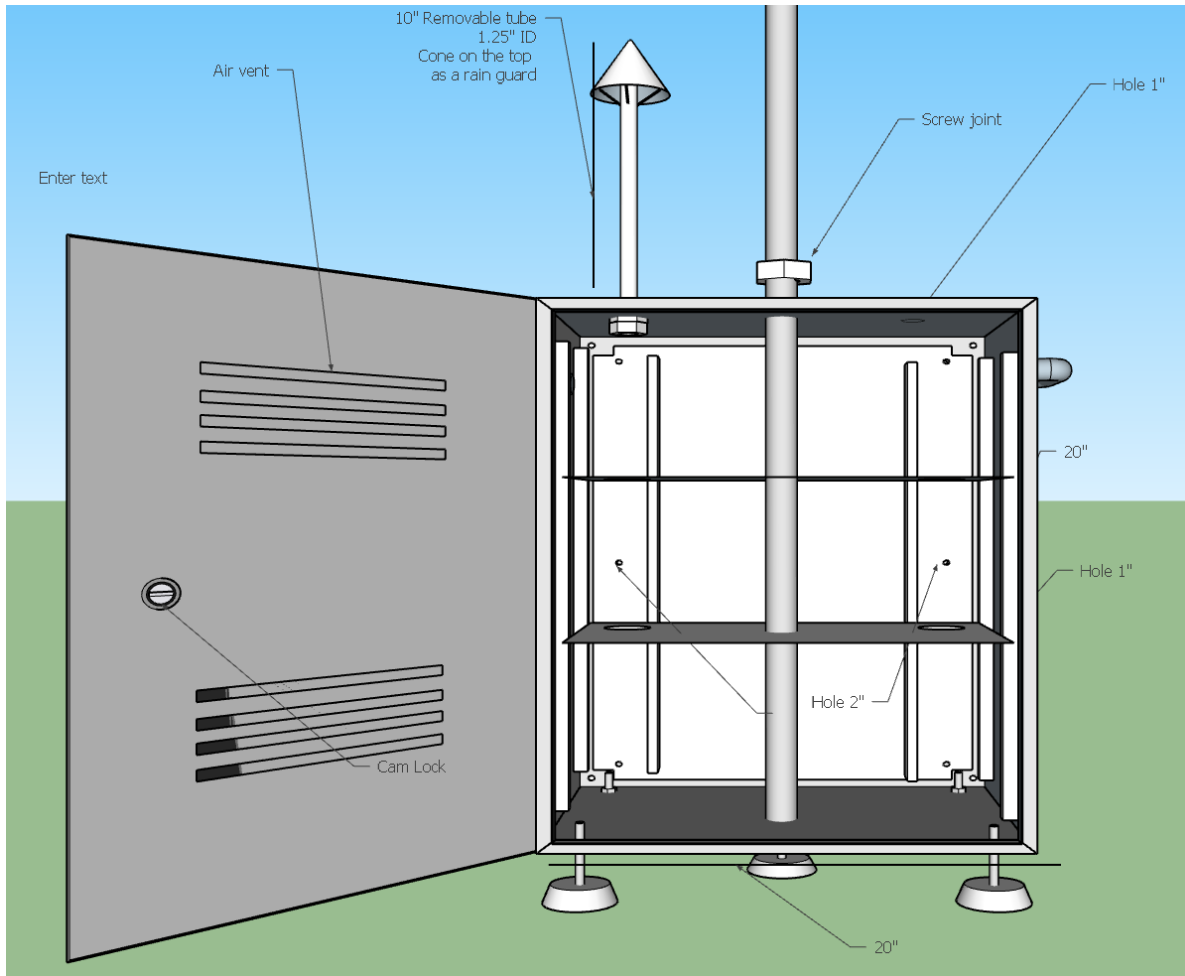
Perspective



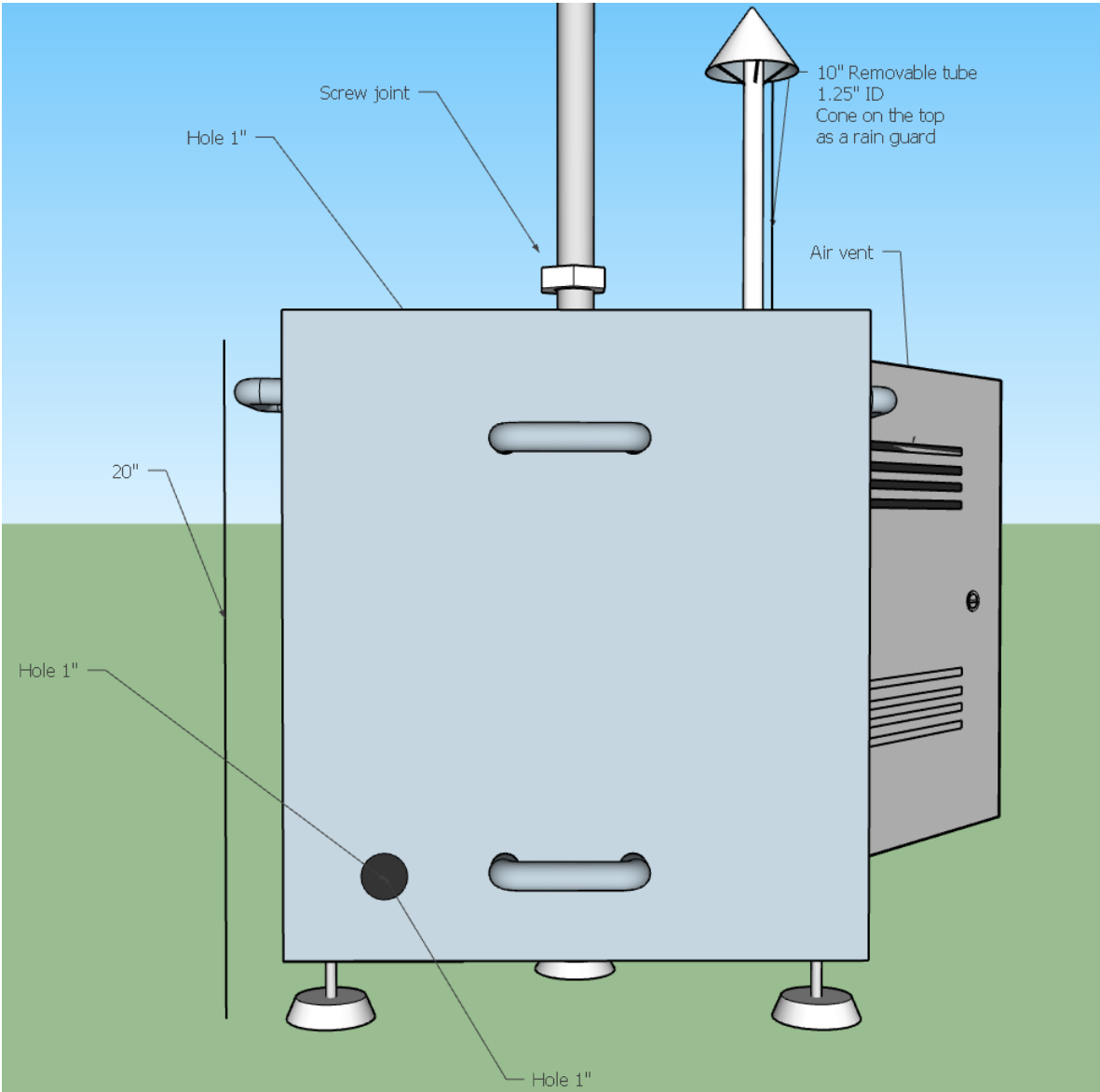
Updates from the previous version

1. Replace 4 leg stands with 5 adjustable rubber mounts
2. Add mount extension in case better stability is needed (see page 8)
3. Make two air vents and attach fans
4. Insert two shelves instead of one.
5. Holes on the top and the back, (no holes on left and right)
6. Add threaded holes and matching thumb screws for the pipes (see page 10)

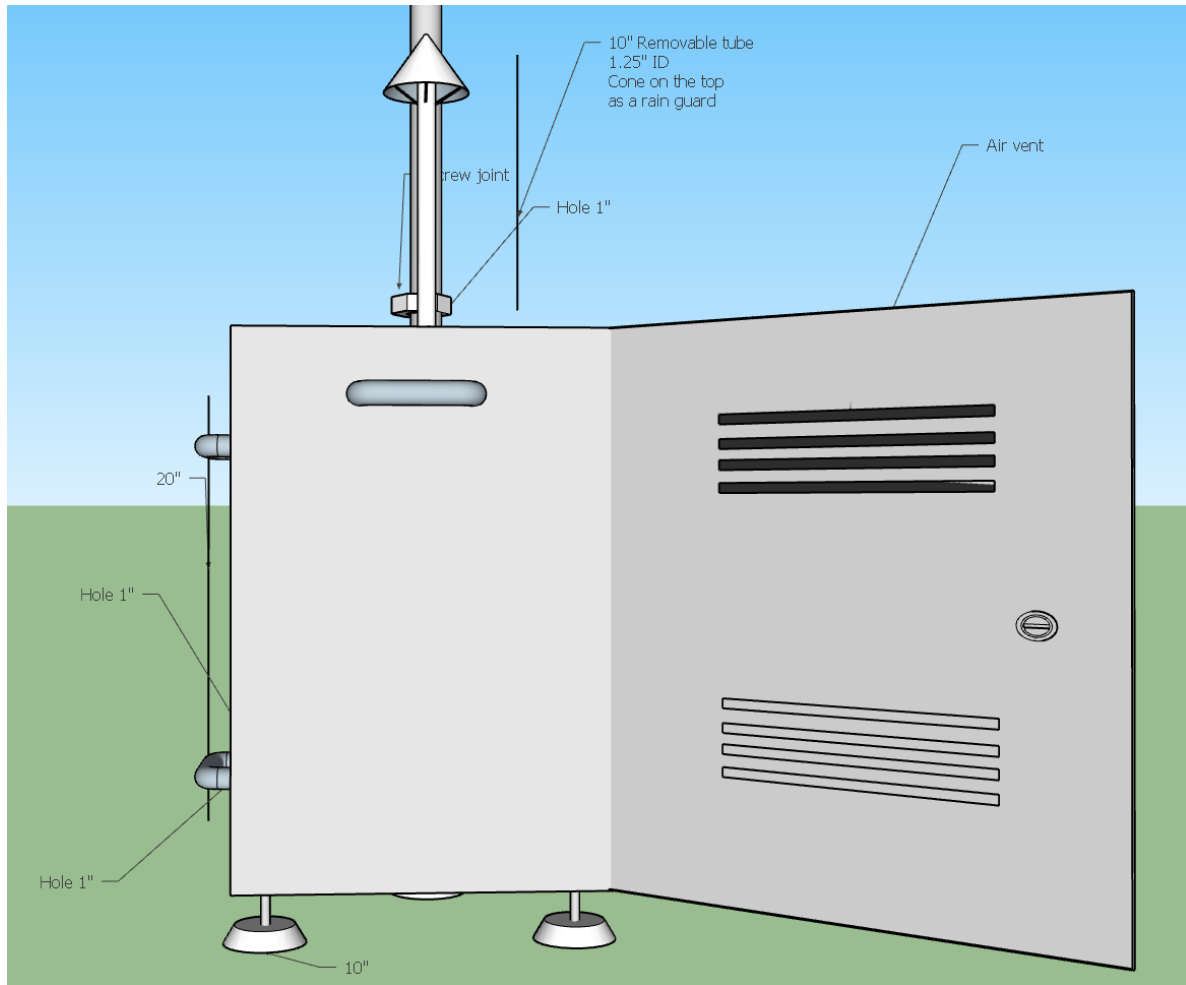
Front



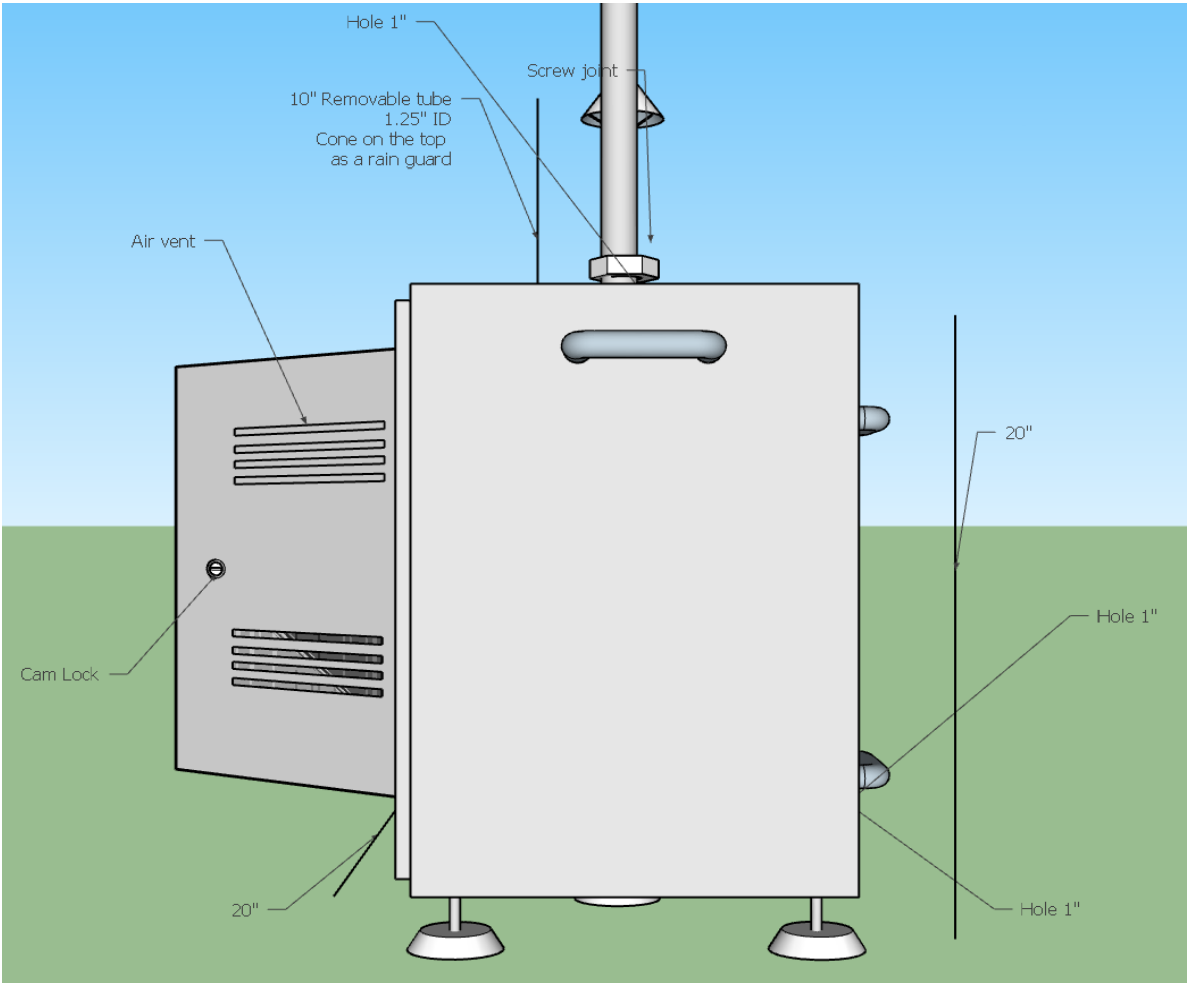
Back



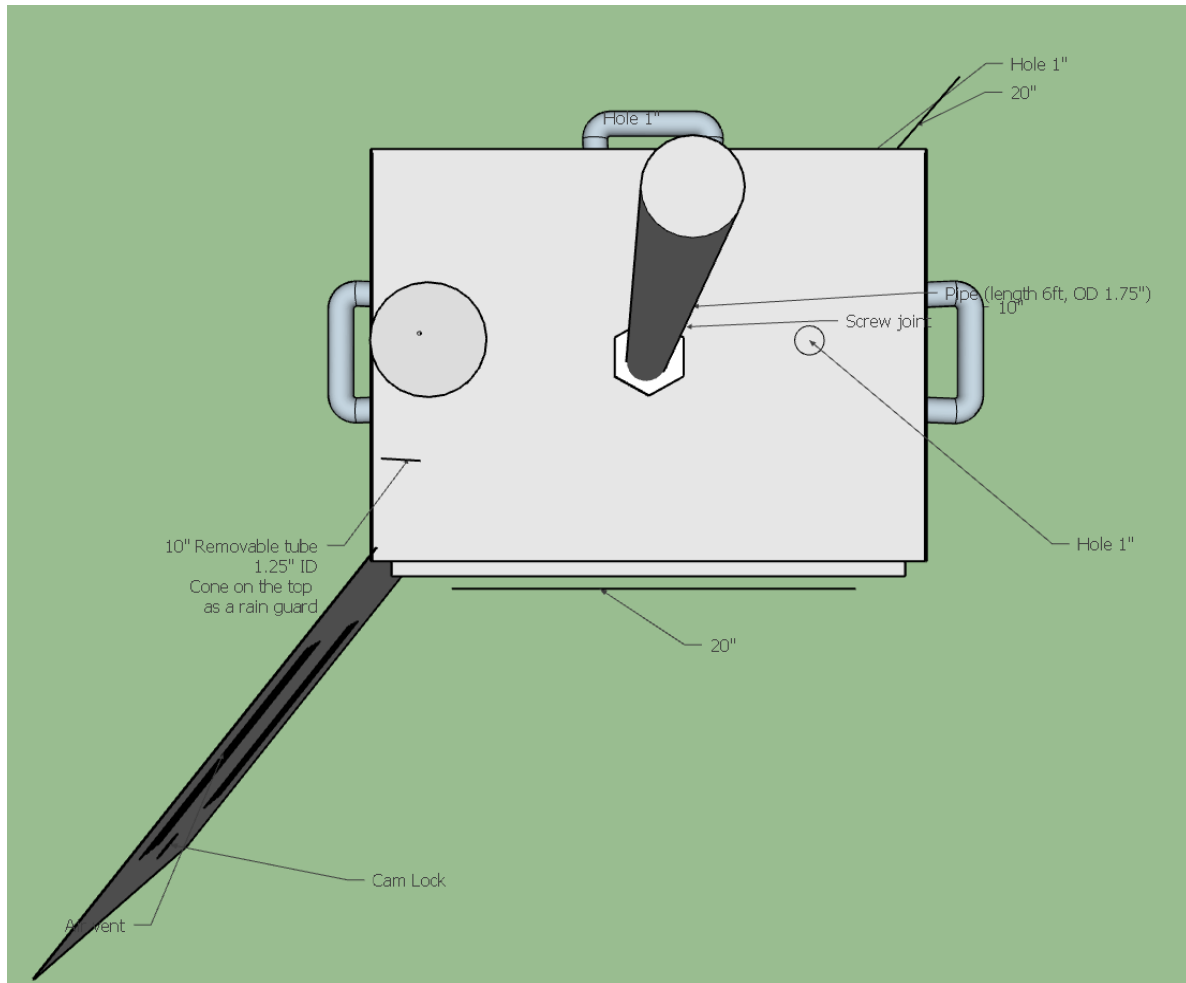
Left



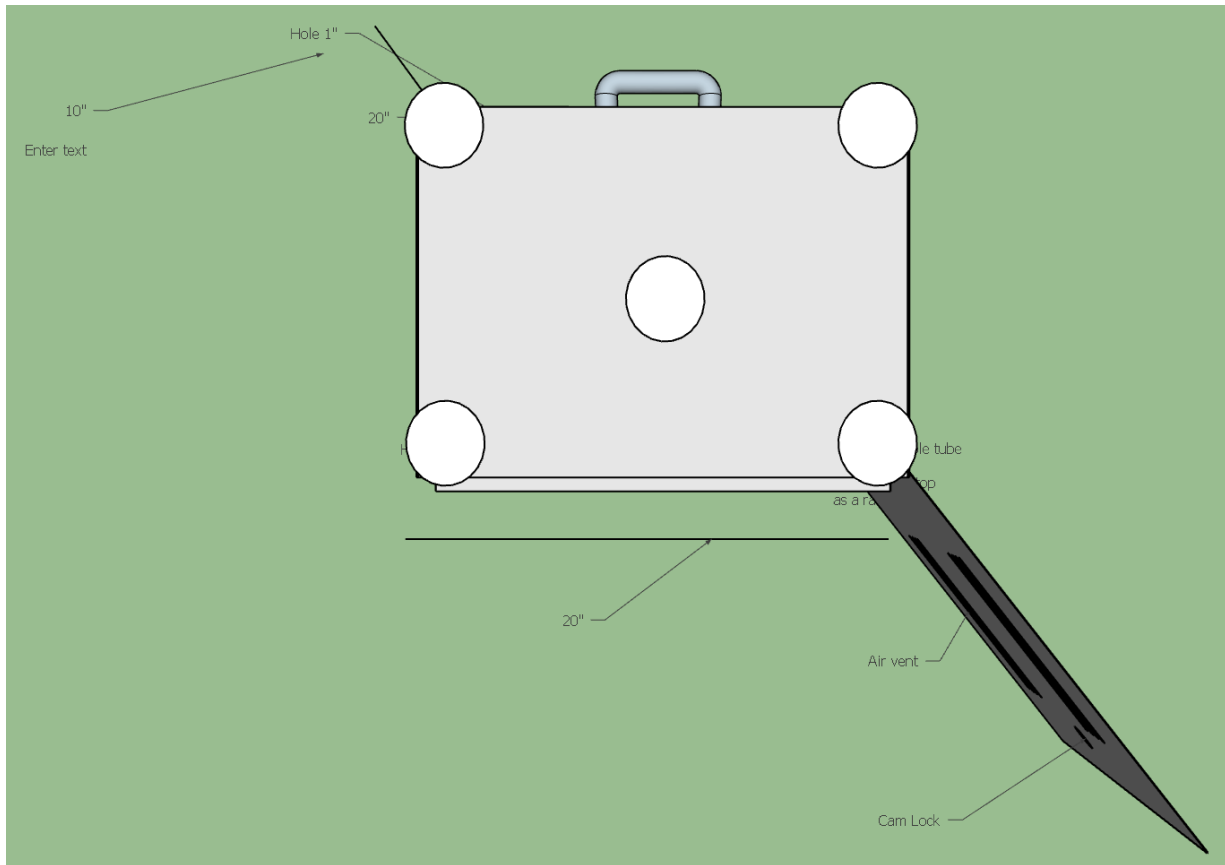
Right



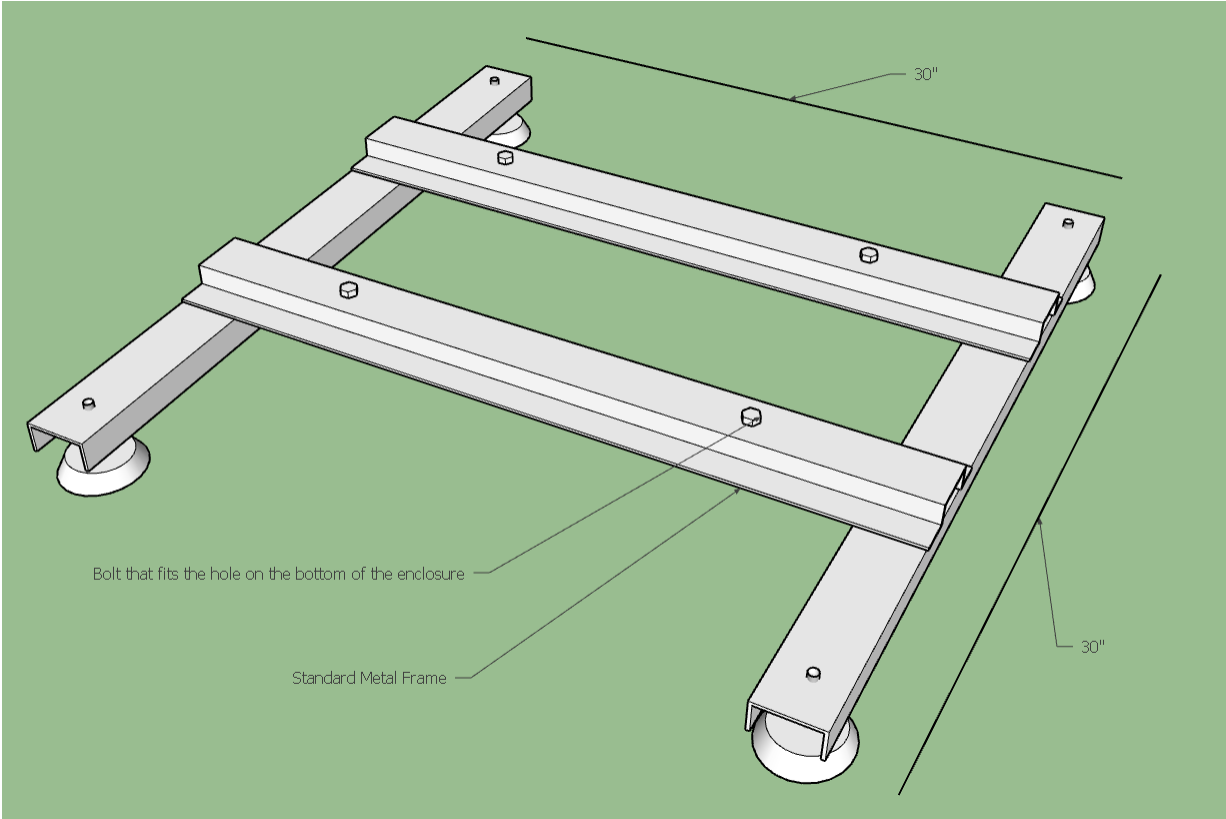
Top



Bottom



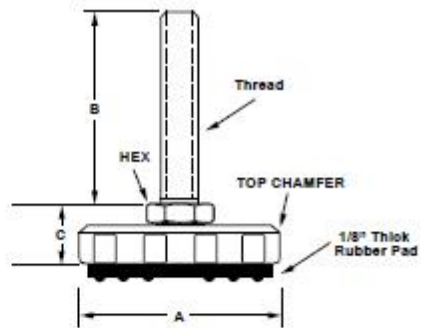
Mount extension



All the 1" holes need a seal cover like this.



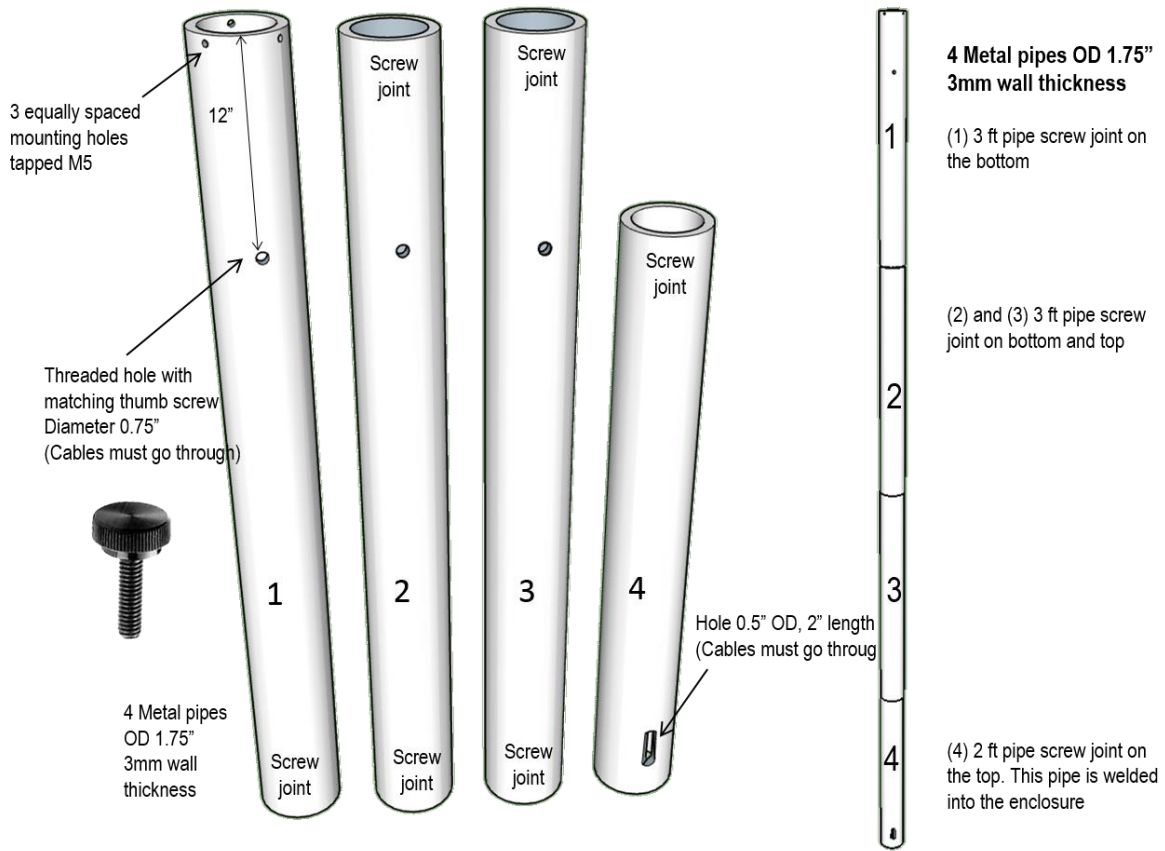
For the bottom mount, use round rubber mount like this.



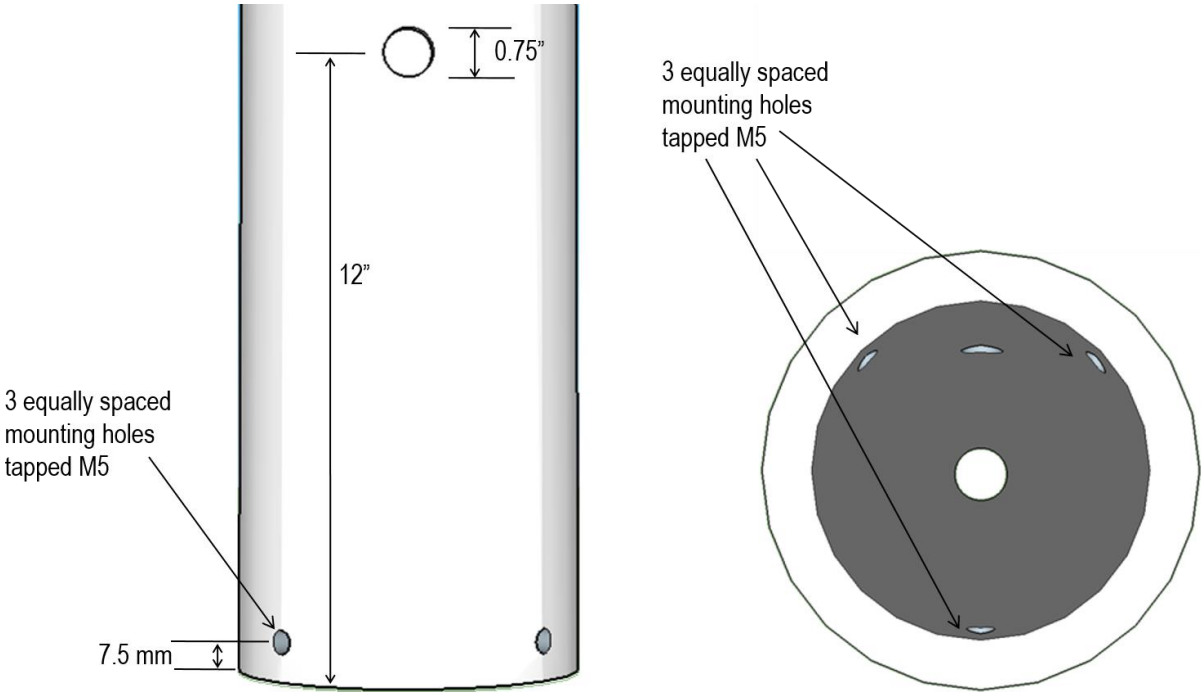
Rubber Pad Bottom View

www.iec-corp.com • 562.597.4533 • www.levelingmounts.com

Detail diagram for pipes



Pipe 1 detail scheme



Cone pipe

12" removable pipe

This is to hold multiple plastic tubes inside.

