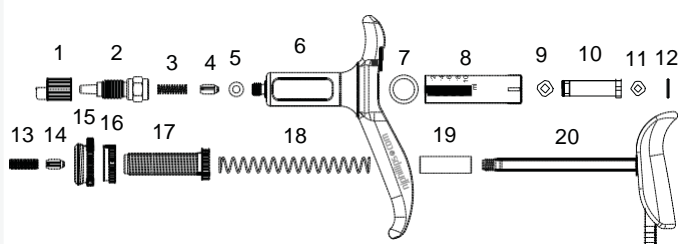




- High quality metal construction.
- Highly accurate and versatile.
- Positive dose locking mechanism.
- Calibrated to 0.1ml increments.



## PARTS BREAKDOWN



- |                                  |                                    |
|----------------------------------|------------------------------------|
| 1. Needle Nut (SN45/N)           | 11. Push Rod Seal Ring (SP338)     |
| 2. Needle Mount (SN373/N)        | 12. Piston Collar (SN309)          |
| 3. Delivery Valve Spring (BP235) | 13. Inlet Valve Spring (BP235)     |
| 4. Delivery Valve (WX1513)       | 14. Inlet Valve (WX1513)           |
| 5. Needle Mount Seal Ring (SP66) | 15. Back Cap (SP1397)              |
| 6. Body (SXXN358)                | 16. Dose Adjustor Lock Nut (SN261) |
| 7. Cylinder Seal Ring (SP220)    | 17. Dose Adjustor (SN260)          |
| 8. Cylinder (SH485)              | 18. Return Spring (SP514)          |
| 9. Piston Seal Ring (SP69)       | 19. Spring Cover (SN265)           |
| 10. Piston (SN310)               | 20. Push Rod (SXXN598)             |

MODEL	DOSE RANGE	INCREMENTS	CODE
1ml	0.1ml – 1ml	0.1ml	PAS564
<b>Also available in:</b>			
2ml	0.1ml – 2ml	0.1ml	PAS686
5ml	0.5ml – 5ml	0.5ml	PAS1198

### PAS564 (1ml)

KIT NO.	PART NAME	PART NO.
WX749	Major Service Kit	3,4,5,7,8,9,11,13,14,18.
WX1118	Minor Service Kit	3,4,5,7,9,11,13,14,18.

PLEASE ORDER BY KIT AND PART NAME

### PAS686 (2ml)

KIT NO.	PART NAME	PART NO.
WX750	Major Service Kit	Not Illustrated.
WX1062	Minor Service Kit	Not Illustrated.

PLEASE ORDER BY KIT AND PART NAME

### PAS1198 (5ml)

KIT NO.	PART NAME	PART NO.
WX111	Major Service Kit	Not Illustrated.
WX1061	Minor Service Kit	Not Illustrated.
WX610	Vitamin ADE Kit	Not Illustrated.
WX499	Needle Mount Assembly	Not Illustrated.

PLEASE ORDER BY KIT AND PART NAME



Customise this instrument with your brand colour and logo. Contact us for details.



**njphillips.com**  
Our expertise is in your hands.

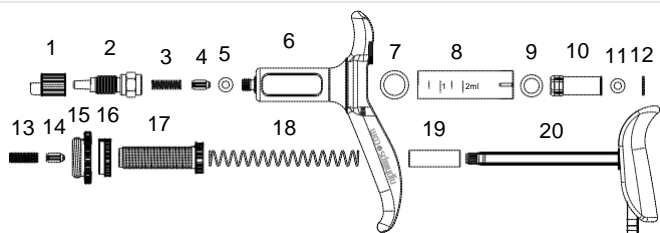
LOCKED BAG 8, GOSFORD NSW, AUSTRALIA 2250  
P +61 2 4340 2044 F +61 2 4340 1991 | E njp1@njphillips.com.au



- Robust and highly accurate design
- Administers a variety of injectables.
- Able to dispense viscous products.
- Variable dose from 0.5ml to 2ml.



## PARTS BREAKDOWN



- |                                  |                                    |
|----------------------------------|------------------------------------|
| 1. Needle Nut (SN45/N)           | 11. Push Rod Seal Ring (SP338)     |
| 2. Needle Mount (SN373/N)        | 12. Piston Collar (SN309)          |
| 3. Delivery Valve Spring (BP235) | 13. Inlet Valve Spring (BP235)     |
| 4. Delivery Valve (WX1513)       | 14. Inlet Valve (WX1513)           |
| 5. Needle Mount Seal Ring (SP66) | 15. Back Cap (SP1397)              |
| 6. Body (SXX358)                 | 16. Dose Adjustor Lock Nut (SN261) |
| 7. Cylinder Seal Ring (SP220)    | 17. Dose Adjustor (SN260)          |
| 8. Cylinder (SH621)              | 18. Return Spring (SP514)          |
| 9. Piston Seal Ring (SP1245)     | 19. Spring Cover (SN265)           |
| 10. Piston (SN370)               | 20. Push Rod (SXX598)              |

MODEL	DOSE RANGE	INCREMENTS	CODE
2ml	0.1ml – 2ml	0.1ml	PAS686
<b>Also available in:</b>			
1ml	0.1ml – 1ml	0.1ml	PAS564
5ml	0.5ml – 5ml	0.5ml	PAS1198

### PAS686 (2ml)

KIT NO.	PART NAME	PART NO.
WX750	Major Service Kit	3,4,5,7,8,9,11,13,14,18.
WX1062	Minor Service Kit	3,4,5,7,9,11,13,14,18.

PLEASE ORDER BY KIT AND PART NAME

### PAS564 (1ml)

KIT NO.	PART NAME	PART NO.
WX749	Major Service Kit	Not Illustrated.
WX1118	Minor Service Kit	Not Illustrated.

PLEASE ORDER BY KIT AND PART NAME

### PAS1198 (5ml)

KIT NO.	PART NAME	PART NO.
WX111	Major Service Kit	Not Illustrated.
WX1061	Minor Service Kit	Not Illustrated.
WX610	Vitamin ADE Kit	Not Illustrated.
WX499	Needle Mount Assembly	Not Illustrated.

PLEASE ORDER BY KIT AND PART NAME



Customise this instrument with your brand colour and logo. Contact us for details.



**njphillips.com**  
Our expertise is in your hands.

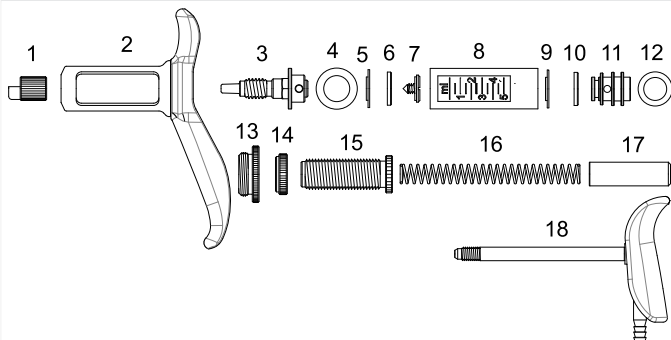
LOCKED BAG 8, GOSFORD NSW, AUSTRALIA 2250  
P +61 2 4340 2044 F +61 2 4340 1991 | E njp1@njphillips.com.au



- Robust and highly accurate design.
- Administers a variety of vaccines.
- Superior comfort push grip and handle.
- High performance cylinder with permanent markings.



## PARTS BREAKDOWN



- |  |                                   |
|--|-----------------------------------|
| 1. Needle Nut (SN45/N)                   | 10. Cup Support Washer (SN56)     |
| 2. Body (SXX29)                          | 11. Piston (SN113)                |
| 3. Needle Mount Assembly (SXX28)         | 12. Piston Seal Ring (SP323)      |
| 4. Head Seal Washer (SH45A)              | 13. Cylinder Lock Nut (SN74)      |
| 5. Delivery Valve Washer (SF4)           | 14. Dose Adjustor Lock Nut (SN73) |
| 6. Cup Support Washer (SN56)             | 15. Dose Adjustor (SN72)          |
| 7. Delivery Valve Retaining Screw (SN54) | 16. Return Spring (SP145)         |
| 8. Cylinder (SH1502)                     | 17. Spring Cover (AN199)          |
| 9. Inlet Valve Washer (SF4)              | 18. Push Rod & Grip (SXX30A)      |

MODEL	DOSE RANGE	INCREMENTS	CODE
5ml	0.5ml – 5ml	0.5ml	PAS1198
<b>Also available in:</b>			
1ml	0.1ml – 1ml	0.1ml	PAS564
2ml	0.1ml – 2ml	0.1ml	PAS686

### PAS1198 (5ml)

KIT NO.	PART NAME	PART NO.
WX111	Major Service Kit	4,5,8,9,10,12.
WX1061	Minor Service Kit	4,5,9,10,12.
WX499	Needle Mount Assembly	1,3,4,5,6,7.
WX610	A, D & E Kit	Not shown.

PLEASE ORDER BY KIT AND PART NAME

### PAS564 (1ml)

KIT NO.	PART NAME	PART NO.
WX749	Major Service Kit	Not Illustrated.
WX1118	Minor Service Kit	Not Illustrated.

PLEASE ORDER BY KIT AND PART NAME

### PAS686 (2ml)

KIT NO.	PART NAME	PART NO.
WX750	Major Service Kit	Not Illustrated.
WX1062	Minor Service Kit	Not Illustrated.

PLEASE ORDER BY KIT AND PART NAME



Customise this instrument with your brand colour and logo. Contact us for details.



**njphillips.com**  
Our expertise is in your hands.

LOCKED BAG 8, GOSFORD NSW, AUSTRALIA 2250

P +61 2 4340 2044 F +61 2 4340 1991 | E njp1@njphillips.com.au