

Micro Joystick

Technical Information

1949 Keating Cross Rd
 Saanichton, B.C., Canada V8M 2A4
 Ph: (250) 544-2207

Fax: (250) 544-2279
 Toll Free: 1-800-831-2278
 www.suregripcontrols.com



Features:

- Compact Dual axis joystick with analog proportional outputs
- Non-Redundant and Redundant options available
- IP-67 (above panel)
- Long operating life, > 1,000,000 cycles
- Utilizes non-contact Hall Effect technology



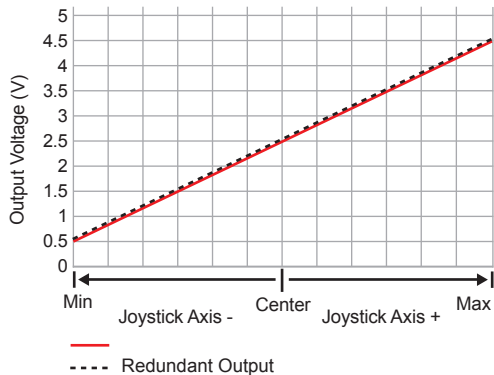
Description:

The Micro Joystick is a miniature dual axis Proportional Hall Effect Joystick with limited moving parts. The micro joystick is suitable for exposed installations and can provide an additional set of proportional outputs when installed within a control grip faceplate.

Optional Feature:

A dual redundant version of the Micro Joystick is available for required applications.

Typical Proportional Output Voltage Range



Micro Joystick installed in 'J' Series Control Handle



General Specifications

Parameter	Min	Typ	Max	Units
Input Power Supply:				
Supply Voltage		5 +/-1%		V
Supply Current (max)		16		mA
Control Outputs:				
	$V_{out(min)}$	$V_{out(center)}$	$V_{out(max)}$	
Output Voltage Range, X and Y axis	0.5 +/-5%	2.5 +/-5%	4.5 +/-5%	V
Output Load Per Axis	1	10		K Ω
Mechanical Specifications:				
Joystick Travel on Axis		19 +/- 1		Degrees
Joystick Travel on 45 degree		26 +/- 1		Degrees
Cycle life		4,000,000+ Cycles		
Environmental Specifications:				
Operating Temperature Range		-40 to +70		$^{\circ}$ C
Ingress Protection		IP67*		

(*) With appropriate mounting in panel

Micro Joystick

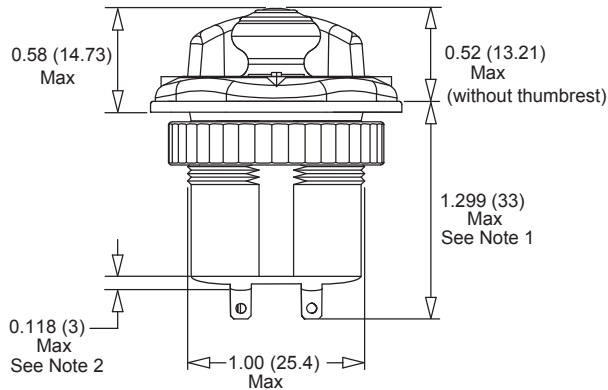
Technical Information

1949 Keating Cross Rd
 Saanichton, B.C., Canada V8M 2A4
 Ph: (250) 544-2207

Fax: (250) 544-2279
 Toll Free: 1-800-831-2278
 www.suregripcontrols.com



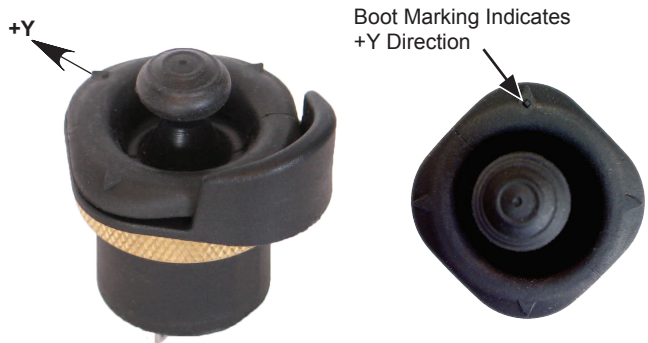
Dimensions Inches (mm):



Notes:

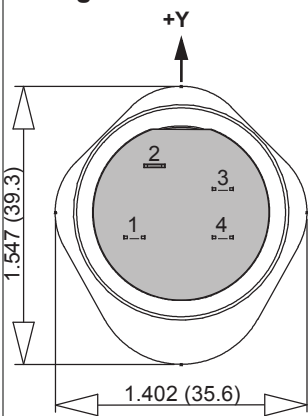
1. Maximum mounting depth (no thumbrest installed).
2. Maximum extension of potting material below bottom of housing.

Joystick Axis Orientation:



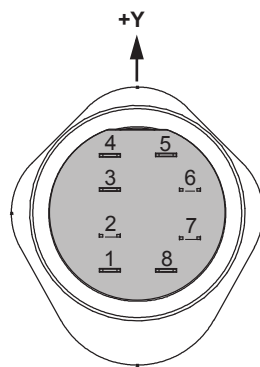
Shown with Optional Thumbrest

Wiring Connections:



Bottom View Pinout:

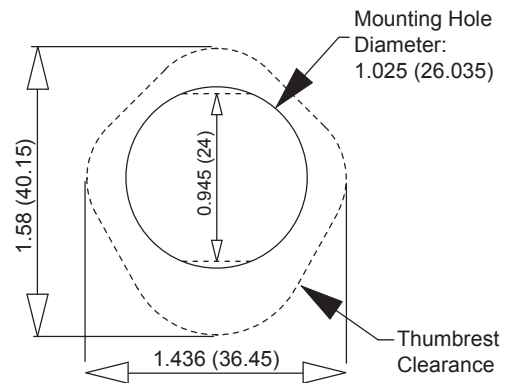
1. +5VDC
2. Ground
3. X Axis Output
4. Y Axis Output



Bottom View Pinout Dual-Redundant Option:

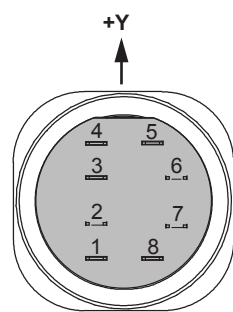
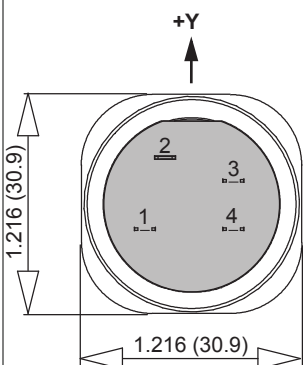
- | | |
|--------------------|--------------------|
| 1. +5VDC 1 | 5. +5VDC 2 |
| 2. Ground 1 | 6. Ground 2 |
| 3. X Axis Output 1 | 7. X Axis Output 2 |
| 4. Y Axis Output 1 | 8. Y Axis Output 2 |

Recommended Mounting:

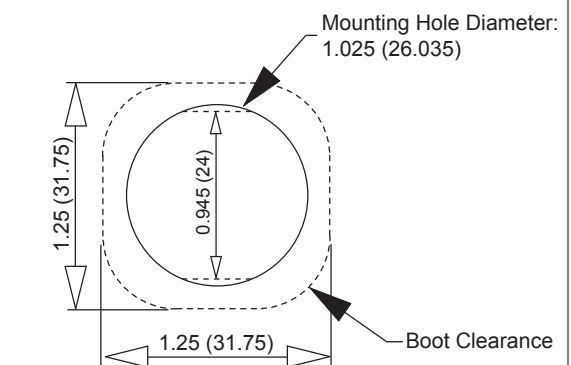


Maximum Panel Thickness: 0.236 (6)

Alternate Square Orientation (Thumbrest N/A):



Recommended Mounting:



Maximum Panel Thickness: 0.236 (6)