

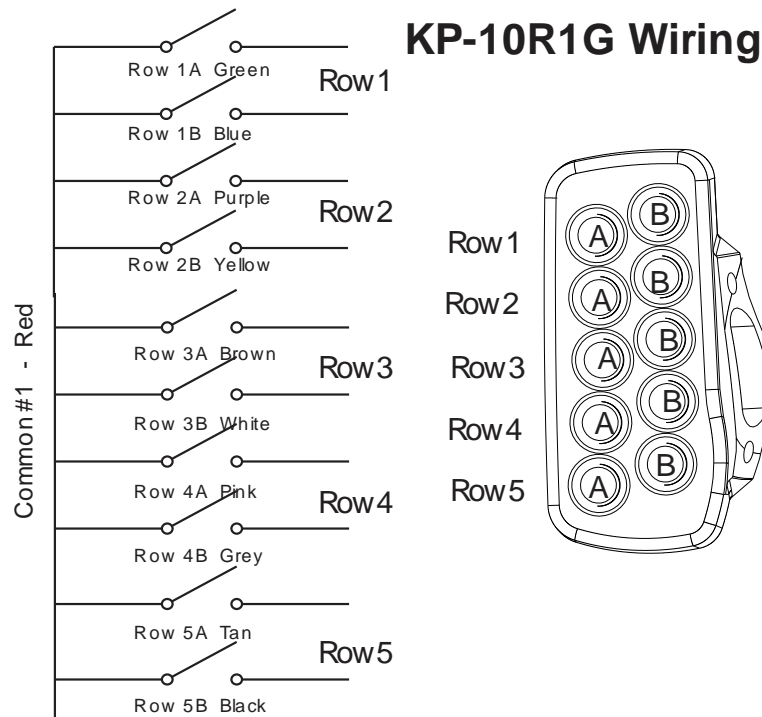
Important Notice: New 10 Button Keypad Wiring

You are receiving this notice because you have recently placed an order for our control grips with a 10 button Keypad installed. Recently we made a change to the Keypad circuit card to accommodate for how the majority of our customers were using these keypads.

We have changed from two common wires to one common wire (Red) for all 10 switches, the old keypad version used the red wire for 4 switches and the orange wire for 6 switches – our customers have requested that we connect both commons together.

Beginning November 2013, all Sure Grip Controls keypad will be made using this new circuit card by default. If you require the 2 separate common wires to the keypad you must notify us immediately so we can do a special build.

Please see attached wiring diagram for the new Keypad.



(contacts 50 ma Max.)
They will not operate a solenoid

****KP-10R1G used as example only****