

BENINCA[®]

TECHNOLOGY TO OPEN

AUTOMATISMI BENINCÀ SpA
via del Capitello, 45 - 36066 Sandrigo (VI) ITALY
T +39 0444 751030 | F +39 0444 759728
sales@beninca.it | www.beninca.com



BULL1524

Gear motor for sliding gates up to 1500 kg



BULL1524

BENINCA®
TECHNOLOGY TO OPEN

24 Vdc gear motor for sliding gates **up to 1500 kg**. Ideal for condominium applications. Complete with built-in control unit and receiver

USE INTENSITY AND RESISTANCE

High use intensity is ensured by the built-in switching power supply (100/250 Vac) which allows for a lower consumption and a longer useful life of the operator itself.

SAFETY ENSURED IN EVERY PHASE

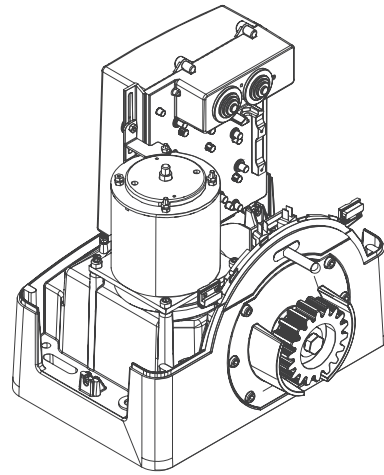
Maximum safety is guaranteed by the STC system unit which enables precise calculation of torque in each stage of gate movement. A virtual encoder optimizes the power output and prevents false relay tripping.

MATERIAL QUALITY

All metal release system with personalized key.

Technical Data

Motor power supply	100÷250 Vac
Consumption	1,7 A
Thrust	24 Nm
Operating jogging	Intensive use
Protection level	IP44
Operating temperature	-20°C / +50°C
Lubrication	GREASE
Gate max. weight	1500 kg
Rack module	M4/M6 accessory - RI.P6
Opening speed	13,7 m/min
Noise level	<70 dB
Control panel	CP.1524
Weight	15.7 kg



PERFECT SYNCHRONISM

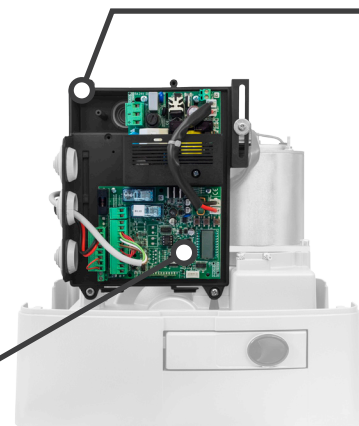
Fitted with the SIS accessory, the unit also features a rapid serial connection to enable operation of twin-leaf sliding gates.

POSSIBLE BATTERY POWERED OPERATION

A built-in battery charger ensures that the unit will continue to operate in the event of a power supply failure

EASY INSTALLATION

Quick and easy to install thanks to the self-programming of the control unit from the transmitter. The function can be activated at the first installation.



HIGHEST PROTECTION

Integrated control unit with an LCD display and an integrated wireless receiver with memory space for up to 2048 transmitters operating exclusively with **Advanced Rolling Code (ARC)** coding.

