

## Bingo 3

Last updated August 29, 2018

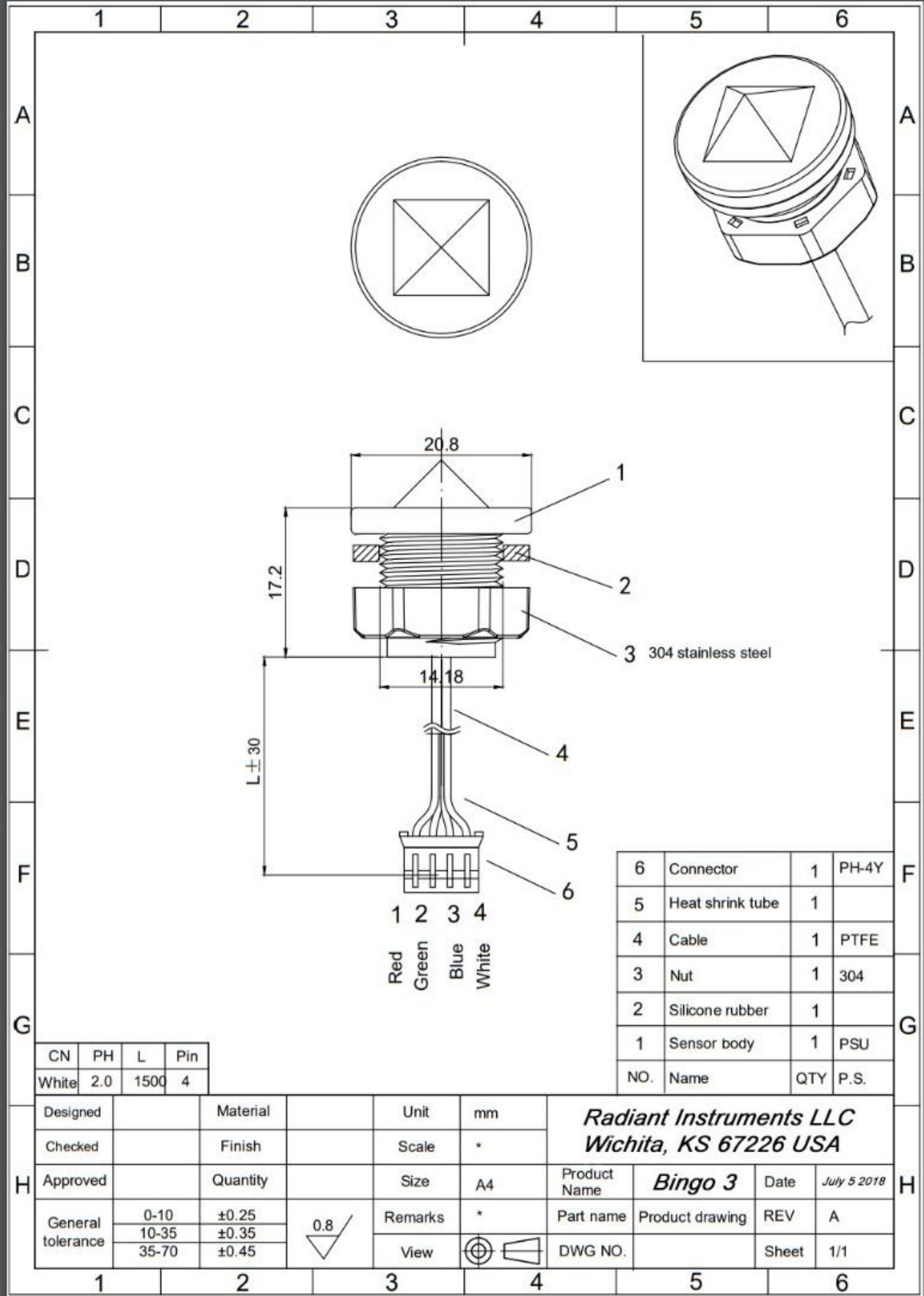
*Bingo 3 is a general purpose liquid detector. It provides an indication of the presence or absence of liquid and is ideal for monitoring critical heights on any liquid tank, including gasoline, jet fuel or diesel. It uses infrared refraction differences to reliably and immediately indicate whether the sensor is immersed in liquid. It is mountable on any wall of an enclosure. When properly mounted, the LED portion of the sensor is outside of the tank and only the optical facets penetrate into the tank.*



*Bingo 3 liquid detector*

### FEATURES & SPECIFICATIONS

- ✓ Small size
- ✓ Easy Installation
- ✓ IP68 enclosure
- ✓ Standard +5V power supply
- ✓ Basic Interface board available separately, allows +8 to +32v power supply and LED capable signal output.
- ✓ 55" cable harness - standard
- ✓ Advanced interface board with LED, power supply, off/dim/bright switch is available
- ✓ Logic Level Signal Output (0 – 5v)
- ✓ ROHS compliant
- ✓ Sensor recesses into tank; Electronics are outside of tank
- ✓ May integrate into EFIS – check EFIS vendor

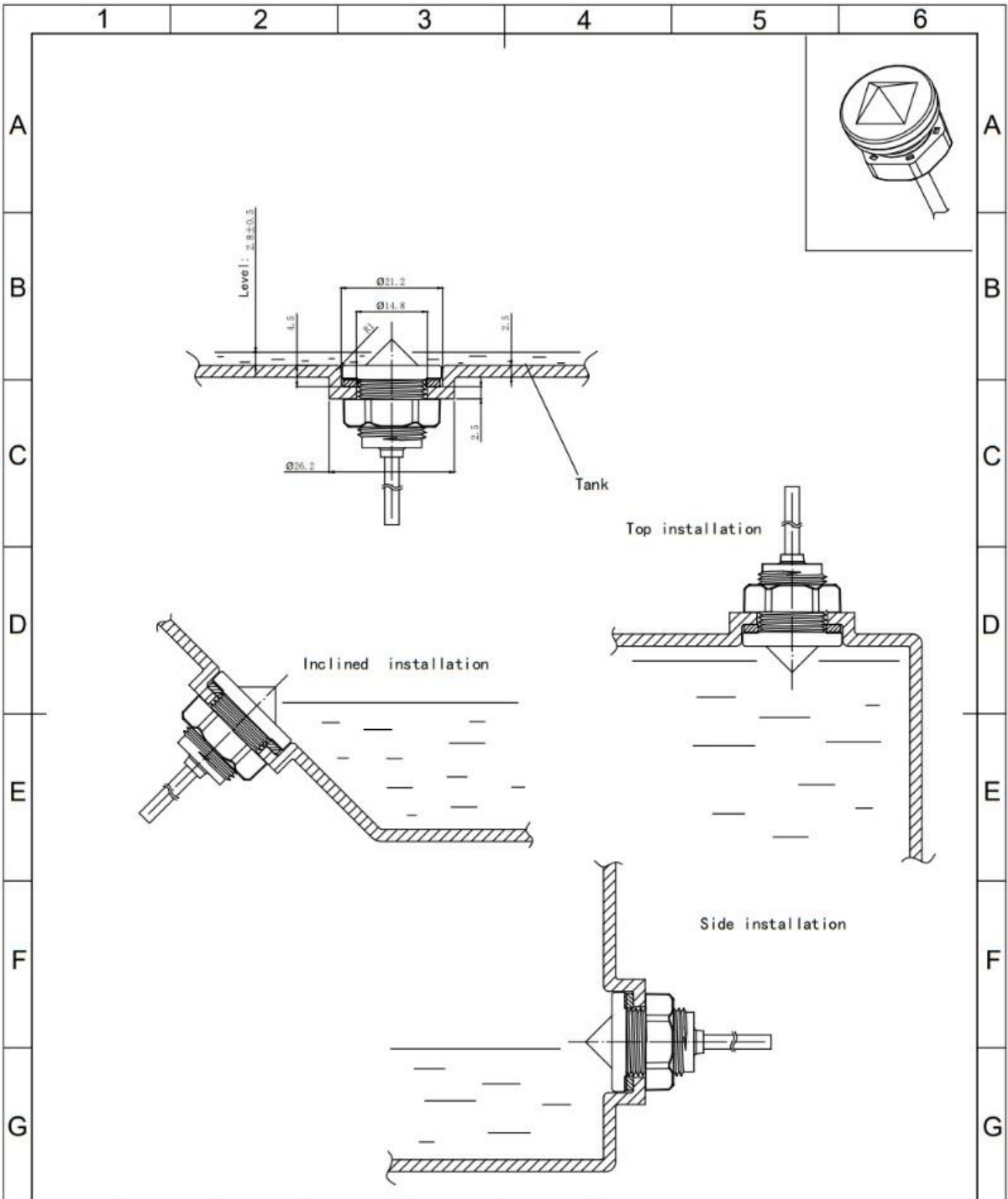


6	Connector	1	PH-4Y
5	Heat shrink tube	1	
4	Cable	1	PTFE
3	Nut	1	304
2	Silicone rubber	1	
1	Sensor body	1	PSU
NO.	Name	QTY	P.S.

CN	PH	L	Pin
White	2.0	1500	4

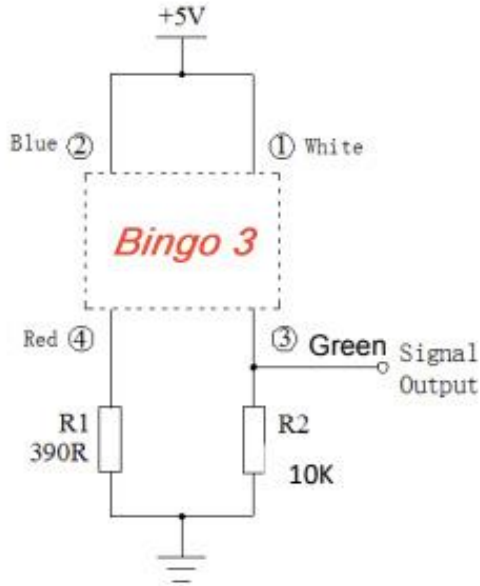
Designed		Material		Unit	mm	<b>Radiant Instruments LLC Wichita, KS 67226 USA</b>			
Checked		Finish		Scale	*				
Approved		Quantity		Size	A4	Product Name	<b>Bingo 3</b>	Date	July 5 2018
General tolerance	0-10	±0.25	0.8	Remarks	*	Part name	Product drawing	REV	A
	10-35	±0.35		View		DWG NO.		Sheet	1/1
35-70	±0.45								

Mechanical dimensions



Designed		Material		Unit	mm	<b>Radiant Instruments LLC</b> Wichita, KS 67226 USA			
Checked		Finish		Scale					
Approved		Quantity		Size	A4	Product Name	<b>Bingo 3</b>	Date	July 5 2018
General tolerance	0-10	±0.25	0.8	Remarks	*	Part name	Installation diagram	REV	A
	10-35	±0.35		View		DWG NO.	*	Sheet	2/2
	35-70	±0.45							

## APPLICATION CIRCUIT



*Bingo 3 Electrical Interface*

## INSTALLATION

- ✓ Use Mounting and Mechanical information to mount sensor in tank
- ✓ Mount LED / switch board in panel; attach to +8 to +32V
- ✓ Attach sensor to board via included cable
- ✓ Test system via observing proper operation as liquid drains from tank
- ✓ Switch is 3 position: dim / off / bright.

## OPERATION

- ✓ Use **ONLY** as an addition to flight planning; do not rely on this unit for critical decisions
- ✓ Use **ONLY** as a tool to increase flight safety; use common sense
- ✓ LED RED: Liquid is absent
- ✓ LED GREEN: Liquid is present

## THREE PURCHASE OPTIONS

- ✓ Bingo 3 base unit is part # BINGO3-A [the base unit is best for OEMS and tech familiar installers] [just the sensor as shown in the mechanical drawing, earlier in this document]
- ✓ Bingo 3 base unit and basic interface board with +8 to +32 power input and LED capable output drive is part # BINGO3-B [includes a small interface board; ground; logic and LED compatible output drive] [best for people who want to select and install their own LED or attach to an EFIS]
- ✓ **Bingo 3 and advanced interface board, LED, switch, and 6' cable is part # BINGO3-C [best for people who want to install Bingo 'plug and play' into their panel]**

In summary of these options: the first option is best for OEMs and techies; the second option is best for people who want to select their own LED; the third option is recommended for people who want total plug and play with a Bingo and premade harness.

**DISCLAIMER: Products from RADIANT Technology are not designed to be used in applications where their failure would endanger safe flight or human life in any way. They are intended solely for use in VFR conditions. They are not certified to meet any Technical Standard Order and are not produced under a Parts Manufacturing Authority (TSO / PMA). As a result, they are suitable only for use in experimental and ultralight aircraft, and in Light Sport Aircraft, if meeting the requirements of the respective manufacture.**

**WARRANTY:** Your new RADIANT Technology instrument carries a one year warranty. Please contact us at [info@beliteaircraft.com](mailto:info@beliteaircraft.com) should your product need warranty service. International warranty service will be charged US\$50.00 for repairs, which includes return shipping after repair. Payment must be received before service begins.

**RETURN/REFUND INFORMATION:** Must be returned in new, resalable condition within 14 days.

**CONTACT:** [info@beliteaircraft.com](mailto:info@beliteaircraft.com), 316-253-6746 / RADIANT Technology/Belite Enterprises LLC, 8610 E. 34<sup>th</sup> Street N. Wichita KS 67226