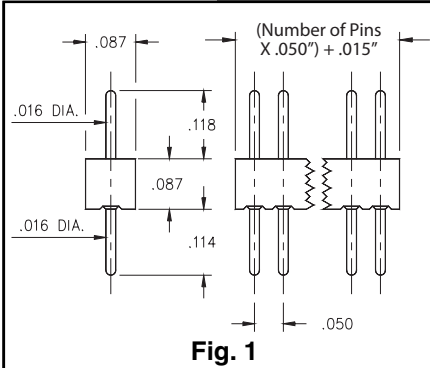




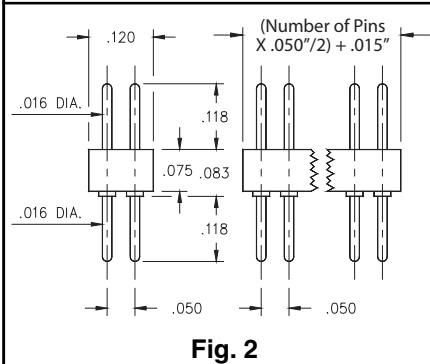
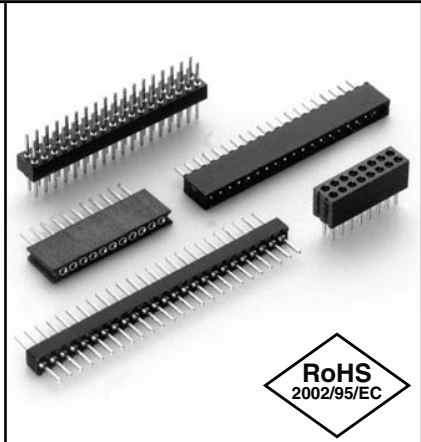
**INTERCONNECTS**  
**.050" Grid Headers and Sockets**  
**Single and Double Row**

Series 850, 851  
 852, 853



**Fig. 1**

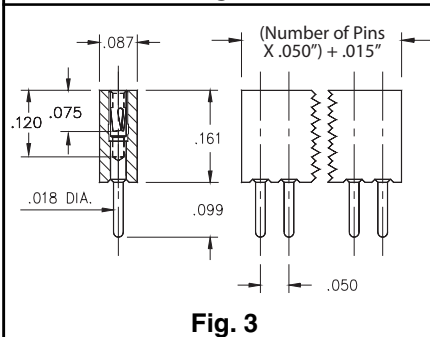
- Series 850 single and double row interconnects have .050" pin spacing & permit board stacking as low as .248".
- Pin headers have .016" dia. pins (MM #4006-0). See page 175 for details.
- MM #0467 and MM #4890 receptacles use Hi-Rel, 3-finger BeCu #11 contacts rated at 3 amps. (#11 contact accepts pin diameters from .015"-.020"). See pages 129 and 131 for details.
- Insulators are high temp. thermoplastic, suitable for all soldering operations.



**Fig. 2**

**Ordering Information**

<b>Fig. 1</b>	<b>Single Row .087" Profile Pin Header</b>
	850-XX-0__-10-001000 Specify # of pins → 01-50
<b>Fig. 2</b>	<b>Double Row .075" Profile Pin Header</b>
	852-XX-__-10-001000 Specify # of pins → 002-100



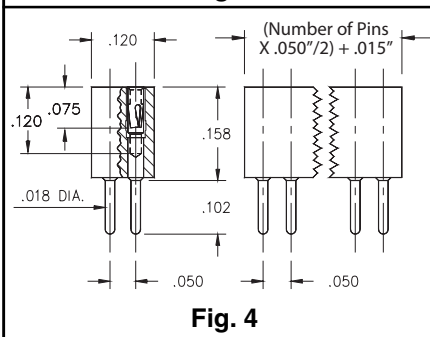
**Fig. 3**

For Electrical, Mechanical & Environmental Data, See pg. 4

XX=Plating Code See Below

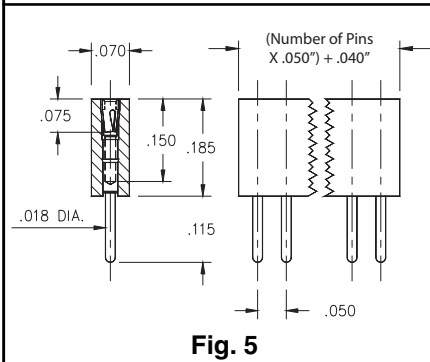
For RoHS compliance select ◊ plating code.

SPECIFY PLATING CODE XX=	10 ◊	90	40 ◊	
Pin Plating	10μ" Au	200μ" Sn/Pb	200μ" Sn	



**Fig. 4**

<b>Fig. 3</b>	<b>Single Row .161" Profile Socket</b>
	851-XX-0__-10-001000 Specify # of pins → 01-50
<b>Fig. 4</b>	<b>Double Row .161" Profile Socket</b>
	853-XX-__-10-001000 Specify # of pins → 002-100
<b>Fig. 5</b>	<b>Single Row .185" Profile Socket</b>
	851-XX-0__-10-002000 Specify # of pins → 01-77



**Fig. 5**

For Electrical, Mechanical & Environmental Data, See pg. 4

XX=Plating Code See Below

For RoHS compliance select ◊ plating code.

SPECIFY PLATING CODE XX=		93	99	43 ◊	
Sleeve (Pin)		200μ" Sn/Pb	200μ" Sn/Pb	200μ" Sn	
Contact (Clip)		30μ" Au	200μ" Sn/Pb	30μ" Au	