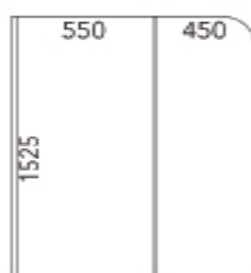
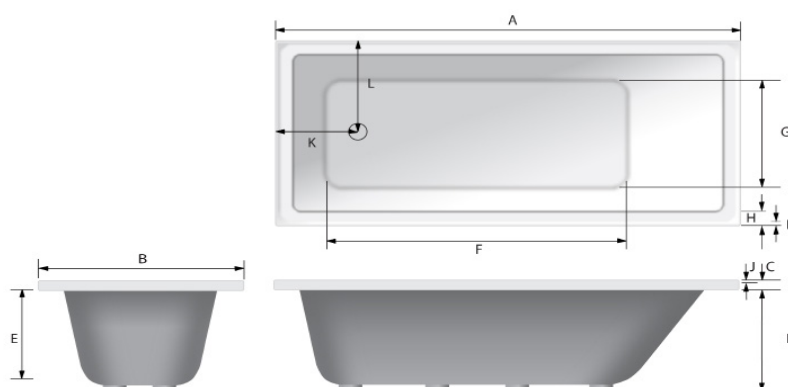


CUBIT 2 Panel Bath Set



Pictured - Cubit 1675mm 2 Panel Moulded Wall Bath Set **LH**
Silva See SKU - **133154**

Swing panel swings into bath, providing wide and easy access to bath and tapware.

DESCRIPTION

The Cubit bath set is designed as the complete answer to a shower over bath installation. The wall liner provides a large waterproof area of protection, and the bath is solid and offers a large showering area.

The Cubit bath set is a complete pack which includes the bath, the bath screen, and a 2 sided wall liner.

All of these items can be purchased as individual items also

There is also an optional bath skirt which is installed around the bath - this is sold as an individual item and IS NOT supplied in the standard bath set package.

FEATURES

- Bath surface is 100% solid acrylic
- 850mm water protection single panel bathscreen
- One piece wall liner
- 15mm pressed upstand around perimeter of bath
- Generous showering / bathing area
- Bath stands on support rings

Dimension	Description	Bath Size		
		1525mm	1675mm	1800mm
A	Bath Length	1525mm	1675mm	1800mm
B	Bath Width	760mm	760mm	760mm
C	Lip Height	40mm	40mm	40mm
D	External Depth (less lip, incl feet) +/- 3mm	430mm	430mm	430mm
E	Internal Depth (less lip)	420mm	420mm	420mm
F	Internal Length of Floor	1025mm	1180mm	1300mm
G	Internal Width of Floor	440mm	440mm	440mm
H	Rim Width	80mm	80mm	80mm
I	Upstand thickness +/- 2mm	7mm	7mm	7mm
J	Upstand Height	15mm	15mm	15mm
K	Waste Depth to edge of Bath	290mm	290mm	290mm
L	Waste Width to edge of Bath	380mm	380mm	380mm

ORDERING CODES

Product Description	SKU CODE		
	1525mm	1675mm	1800mm
Complete Set (incl Bath/FLAT Wall Liner/2 Panel Screen) Silva LH	133155	133153	230927
Complete Set (incl Bath/FLAT Wall Liner/2 Panel Screen) Silva RH	133156	133154	230928
Complete Set (incl Bath/MOULDED Wall Liner/2 Panel Screen) Silva LH	133163	133161	288746
Complete Set (incl Bath/MOULDED Wall Liner/2 Panel Screen) Silva RH	133164	133162	288747
2 Panel Bath Screen Only 1500mm x 850mm Silva LH	164831	164831	164831
2 Panel Bath Screen Only 1500mm x 850mm Silva RH	164834	164834	164834
Bath Only White	133138	133139	173234
Wall Liner 1550mm high White 2 sided Flat	133144	133145	230929
Wall Liner 1550mm high White 2 sided Moulded	133146	133147	N/A
Add a third side to Liner White	133165	133165	133165
Bath Skirt Only White (760mm wide x 415mm) high 2 sided	133140	133141	230930
Bath Skirt Only White (760mm wide x 415mm) high 1 sided	133142	133143	230931

WARRANTY INFORMATION

All bathroom ware products supplied by Nouera Shower systems carry our Quality Assurance and Product Warranty. We use the highest quality materials available and manufacture these in accordance with New Zealand specifications and requirements to ensure that all products are fit for the intended purpose for which they are designed. Our customers peace of mind is of paramount importance to us.

Warranty Periods

Baths	10 years
Showers	10 years
Shower Screens and Doors	10 years

Warranty Exclusions

The product must be installed according to the instructions supplied.
The water supply temperature applied to the product must not exceed 55 degrees Celsius.
Commercial applications are restricted to a 2 year warranty on all products.



PRODUCT MAINTENANCE

Bathroom products are used often and the following is our suggestion on how to clean and care for them.

Shower Wall

We use Durosan premium quality sanitaryware grade acrylic. It is, by design, very robust and chemical resistant. A soft damp cloth with non abrasive cleaners should be used. Use only non abrasive cleaners that are recommended for acrylic products.

Shower Tray and Bath

We manufacture our Shower Trays and Baths using a solid acrylic surface. Most other shower trays are manufactured using a veneer acrylic surface. The great advantage is that small scratches can be removed easily by using fine cutting compound. Again the same basic cleaning methods as the wall are recommended.

Shower Doors and Glass

All glass is compliant to AS/NZS 2208. We suggest that the glass surfaces are wiped down or squeegeed following use to remove excess water. For best results use a trusted glass cleaner.

Metal framework

Should be cleaned using a soft damp cloth with non abrasive cleaner. Note that on round showers, the bottom rollers are easy release for ease of cleaning. If chemical spray cleaners are used, avoid direct contact with the rollers and guides and ensure the shower is rinsed off to avoid residue build up.

Weather seals and drip strips

Can be removed if required for cleaning, and can be replaced when they no longer look their best. Refer to our spare parts and accessories section of this website for more details.

Note - If the glass has been treated follow specific cleaning instructions from the system provider.