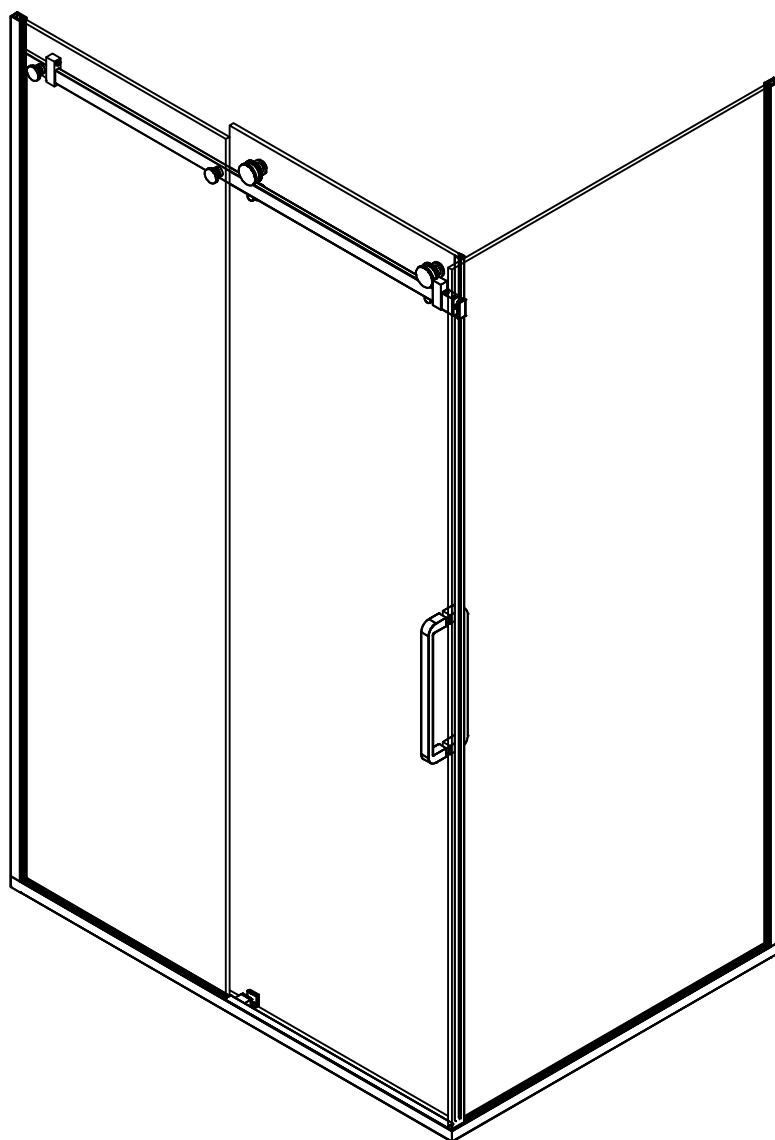


LA SLIDING DOOR-SQUARE

SHOWER ENCLOSURE INSTALLATION INSTRUCTIONS



INSPECTION AFTER OPENING

Please read these installation instructions and check that all the parts are supplied and in good working order. If there are any missing or damaged items, please contact your supplier.

LA SLIDING DOOR-SQUARE

SHOWER ENCLOSURE INSTALLATION INSTRUCTIONS

PLEASE READ CAREFULLY GENERAL INFORMATION

When you received your Shower packages, Please check for any damage. If damage has occurred advise your supplier immediately and do not proceed with installation. Damage reported after installation will not be accepted.

INSTALLATION NOTES

All layout measurements assume the floor is level, the wall are plum and all surfaces flat. Any variations must be adjusted in the measurements provided.

Toughened safety glass cannot be reworked. Do Not try to alter parts in any way.

PREPARATION

The walls must be plumb with internal corner being at 90 degrees. Solid fixing must be provided in the walls behind the wall channels and behind the wall mounted rail bracket shown in the layout Plan Diagram 1.1.

SAFETY GUIDE

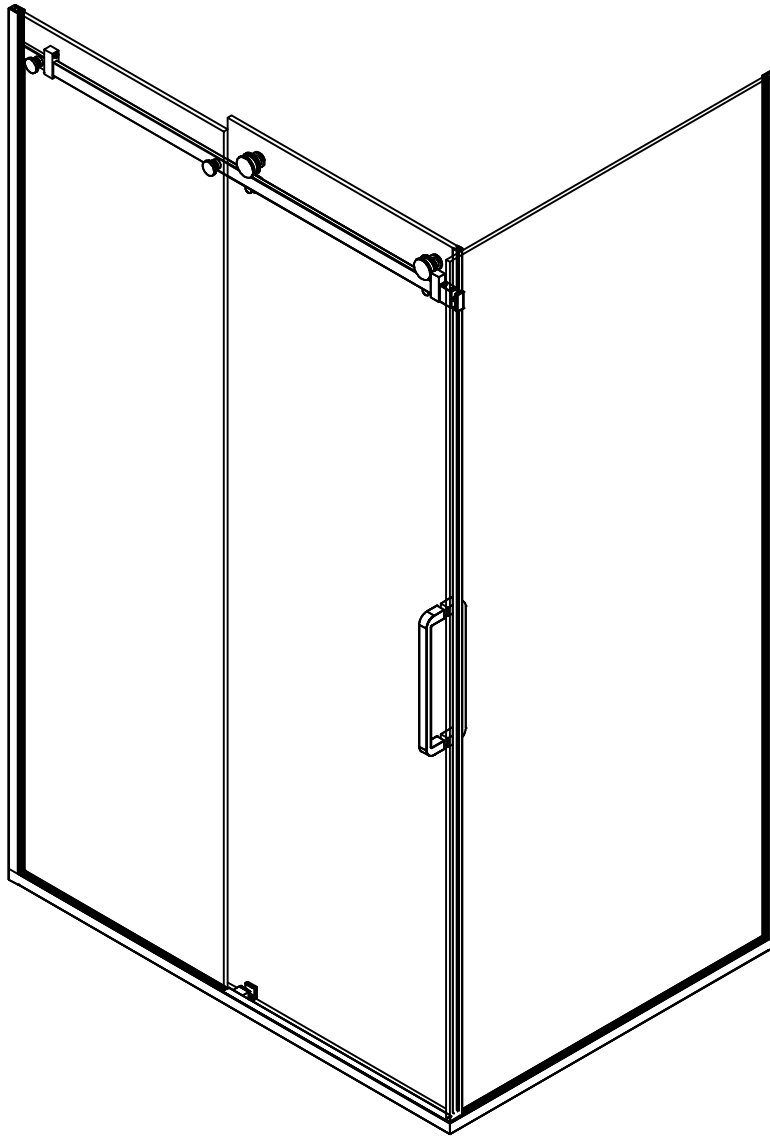
This product is heavy and may require two people to install. Always stand glass up after unpacking the components and use soft packing where in contact with hard surfaces. Take care not to strike an edge or corner on a hard surface.

Special care should be taken when drilling walls to avoid hidden pipes or electrical cables.

Wear protective gloves and eye protection.

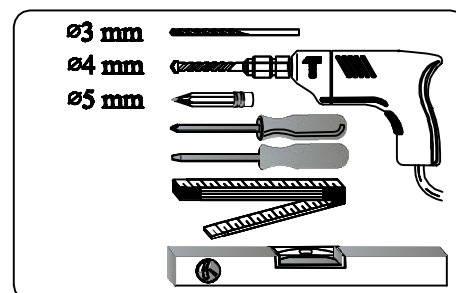
LA SLIDING DOOR-SQUARE

COMPLETE INSTALLATION DIAGRAM



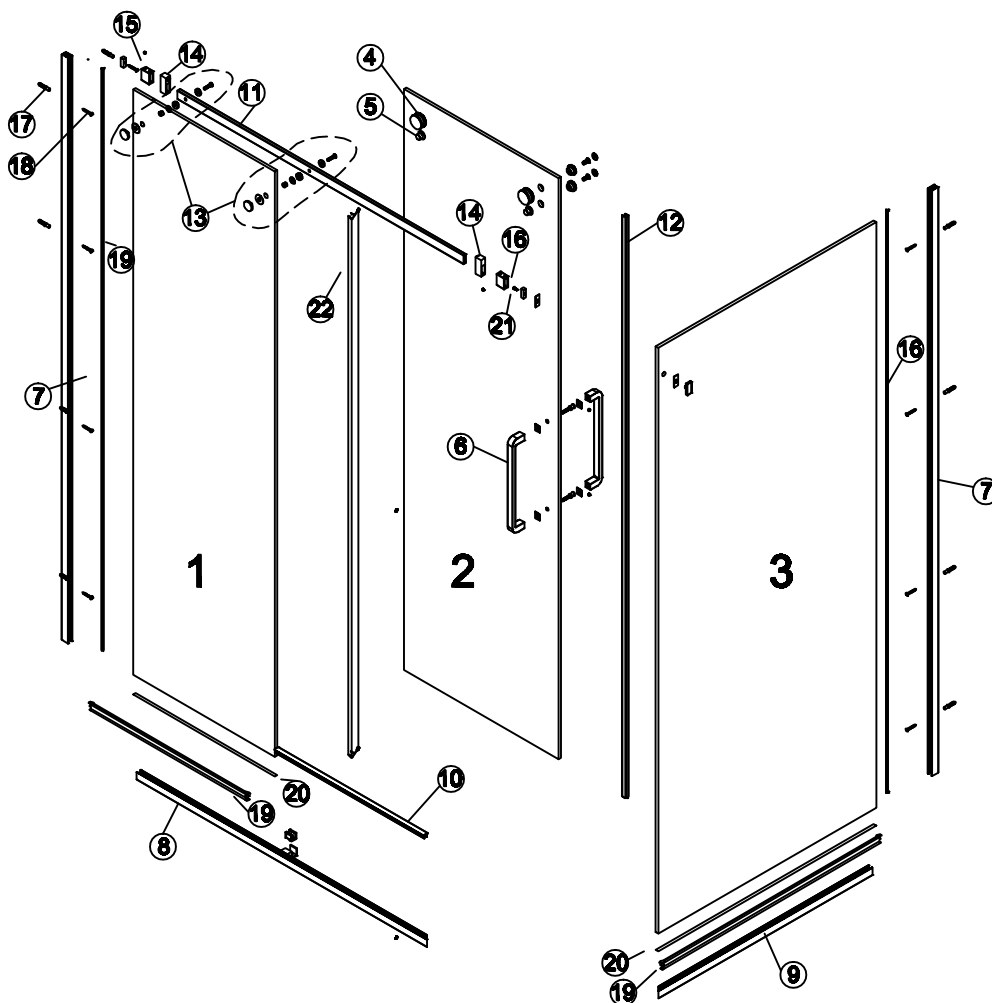
THE FOLLOWING TOOLS ARE REQUIRED

- Drill
- Screw Driver
- Silicon Sealer
- Allan Keys (supplied)
- Spirit Level
- Marker Pencil
- Caulking Guns
- Tape Measures
- Cutter
- Drill Bits 3mm 4mm 5mm



WE RECOMMEND THAT A PROFESSIONAL SHOWER INSTALLER IS USED FOR INSTALLATION OF THIS PRODUCT TO ENSURE THE VERY BEST OUTCOME.

ACCESSORIES AND PARTS



NO.	PHOTOS	PIECES	DESCRIPTION
1		1	GLASS FIXED PANEL
2		1	DOOR ASSEMBLY
3		1	GLASS RETURN PANEL
4		2	ROLLER SET
5		2	LOCK IN KNOB SETS
6		1	HANDLE SET
7		2	WALL CHANNELS
8		1	BOTTOM CHANNELS
9		1	BOTTOM CHANNELS
10		1	CHANNEL COVER
11		1	RAIL

NO.	PHOTOS	PIECES	DESCRIPTION
12		1	BUFFER STRIPS
13		2	GLASS FIXING HARDWARE
14		2	GLASS BLOCK
15		1	RAIL-WALL MOUNTING BRACKETS
16		1	RAIL-GLASS MOUNTING BRACKETS
17		9	WALL PLUGS 6MM
18		9	SCREW ST4X30
19		4	GLASS EDGE SEAL
20		2	GLASS SEAL
21		2	SCREW ST4X12
22		1	VERTICAL SEAL

LA SLIDING DOOR INSTALLATION

Before installing the door, the shower base and wall lining must already be installed in accordance with the separate instructions.

- 1) Place the bottom glass receiver (item 8 and item 9) on to the tray and position approximately 12mm from the front edge of the shower tray. The bottom glass receiver is made for acrylic wall installation. For tile or other installation the length may have to be reduced to fit. Ensure that it is parallel with the outside edge of the tray. Do not fasten. The bottom receiver is Silicone fixed only.
- 2) Position the vertical wall receivers (item 7) to align with the already fitted bottom glass receiver. Level vertically, mark, drill and fix to the walls using ST4-30 stainless steel screws (item 18) as per fig 1, 2 and 3). It is good practice to apply an "eyebrow" of silicone sealer above each screw prior to fixing. Apply silicone to the screw thread also. Note: Solid fixing is preferred. However if a nog is not available enlarge the hole to 6mm to receive a wall plug. (item 17)

LAYOUT PLAN DIAGRAM

Fig 1

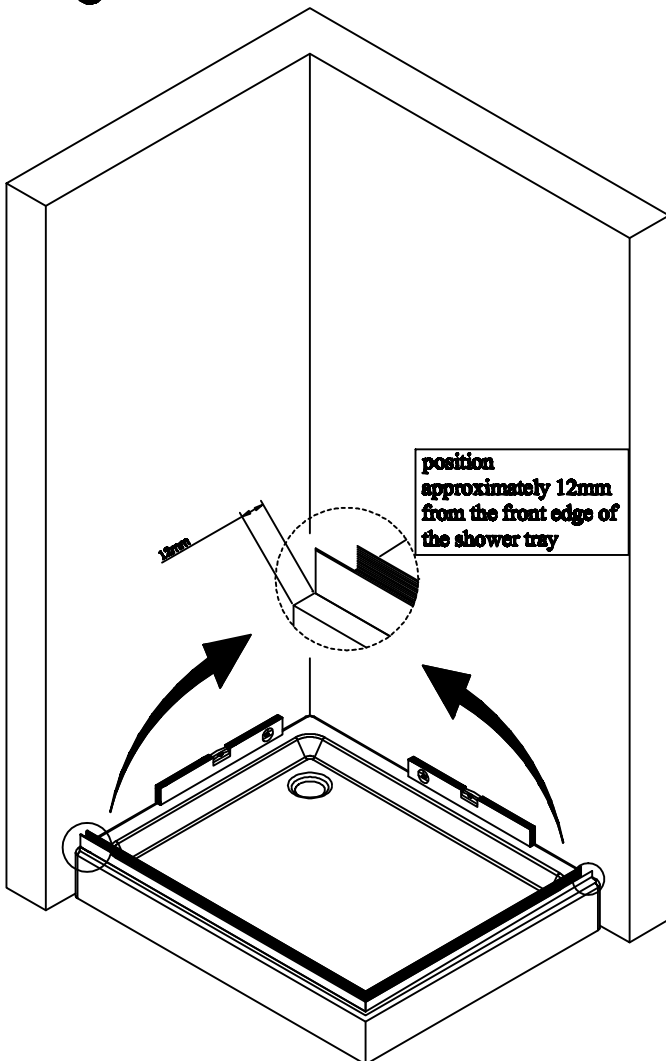


Fig 2

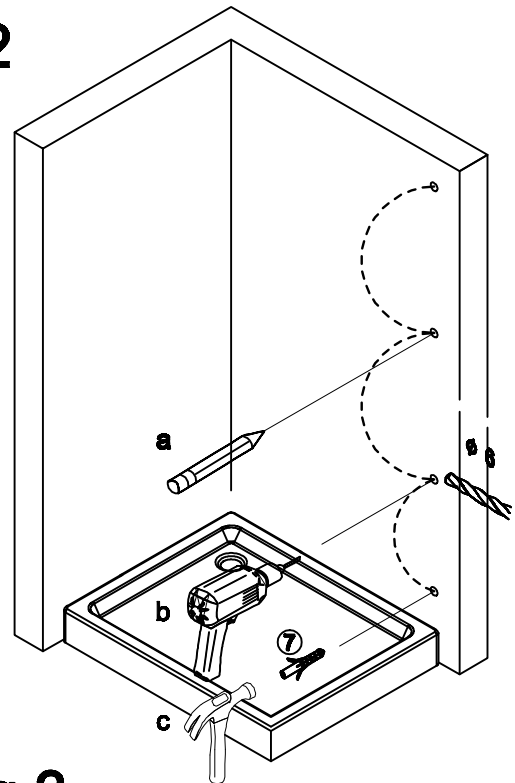
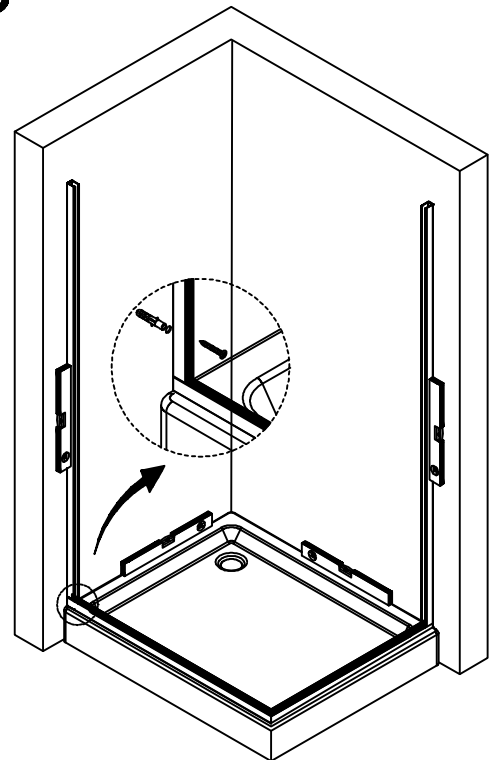
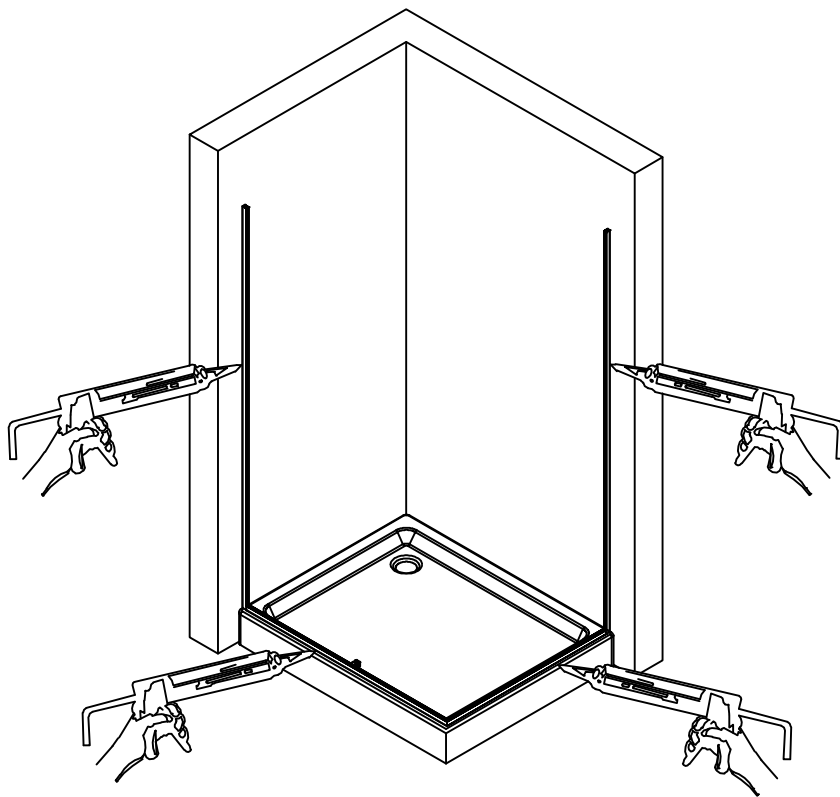


Fig 3



LA SLIDING DOOR INSTALLATION

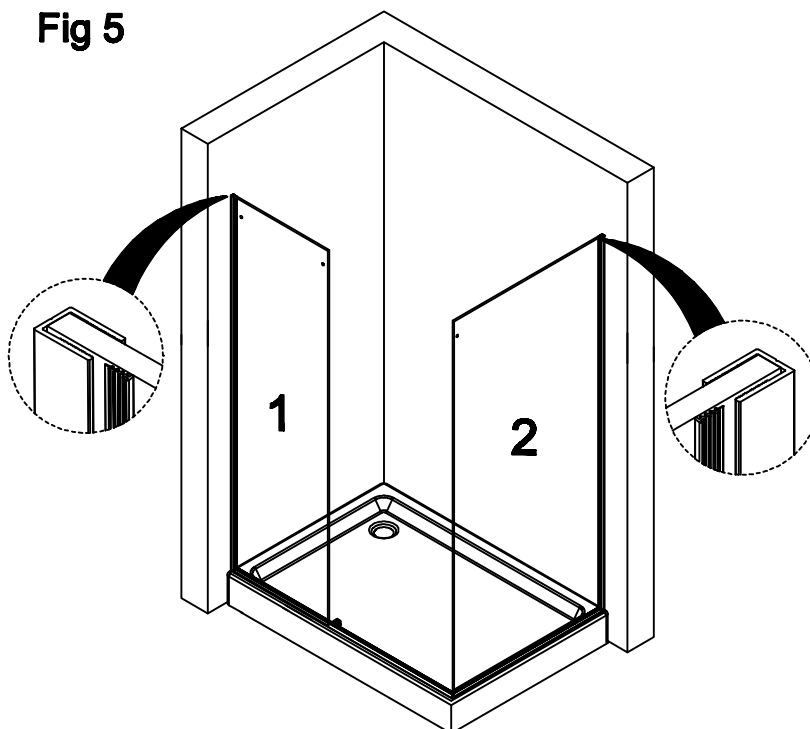
Fig 4



Apply high quality neutral cure silicone to the outside.
DO NOT USE shower for 24 hours.

3) With great care place the fixed glass panel in to position. Take great care not to knock the edge of the safety glass. Check that the glass panel is level. Use the flat silicone packers supplied (item 20) if required to level. Fit the silicone wedges (item 19) to the outside of the glass panel in between the aluminum receivers and the glass. (as per fig 5) Note: Apply a small amount of clear silicone to the 90 degree corner junction.

Fig 5



LA SLIDING DOOR INSTALLATION

TOP RAIL ASSEMBLY:

- 1) Fit the wall to rail mounting blocks (items 1 5) onto the Top Rail (item 11). It is mounted so that the allen screws are on the top. Tighten the allen key to prevent the block from falling off and causing damage.
- 2) Attach the Top Rail to the fixed glass panel using the mounting bracket assembly (item 1 3). Take special care to ensure that the spacers and washers are installed correctly to avoid direct contact of glass to metal. (as per fig 6) Ensure that the top rail is level. Mark the position of wall mounting block on the wall. You may need to loosen the allen key.
- 3) Remove the Top Rail and the wall mounting block.
- 4) Position the wall mounting block in the marked position and drill a 4mm hole through the wall. (Drill the hole central to maximize possible adjustment, as per fig 7) Attach the fixing block to the wall. Loosen the allen keys and remove the outer sleeve of the mounting blocks leaving the fixing blocks attached to the wall.
- 5) Slide on the Top Rail the two door travel stops (item 1 4) Slide on the outer sleeves of the wall mounting brackets and the return glass mounting brackets (item 16). Again, tighten these to avoid falling off during the assembly process. Attach the Top Rail to the fixed glass panel, slide the wall mounting bracket sleeves onto the fixing block and slide the return glass mounting brackets onto the glass and tighten it by the block of item 16 from another side of the return glass. Check that top rail is level and adjust the fixing blocks if necessary. Secure tightly the three fixing points.

Fig 6

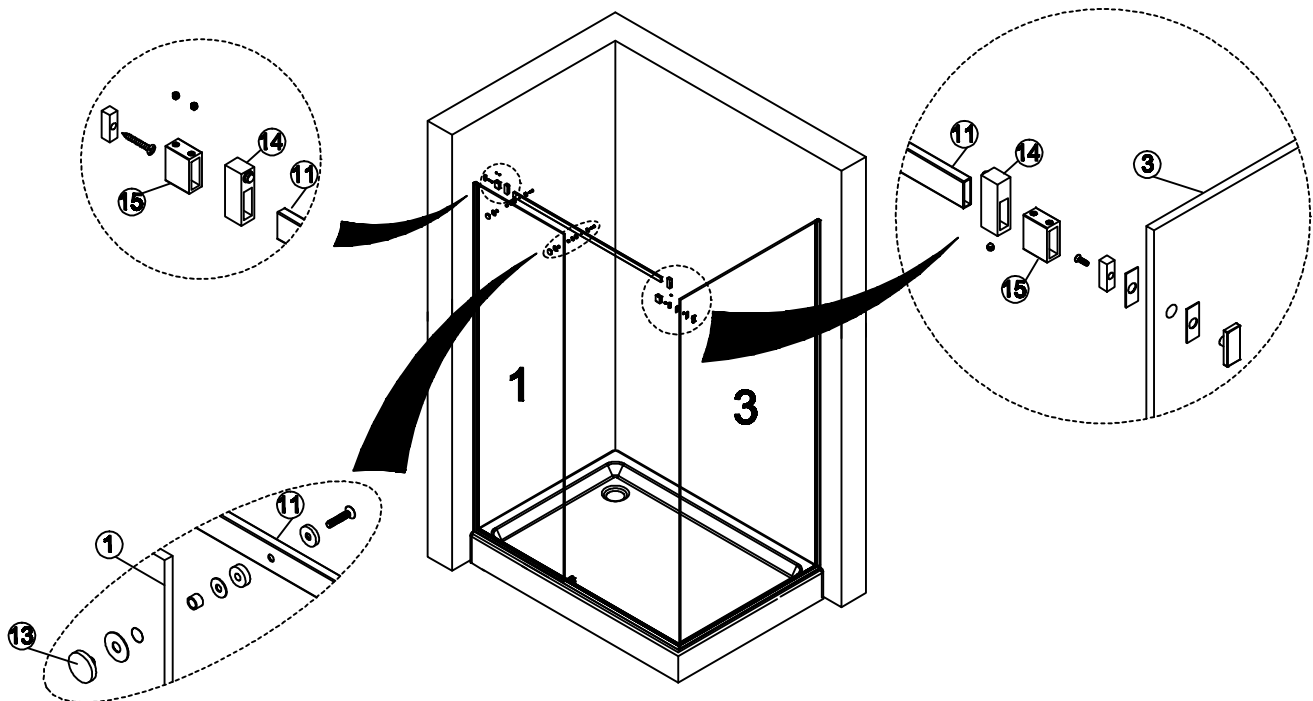
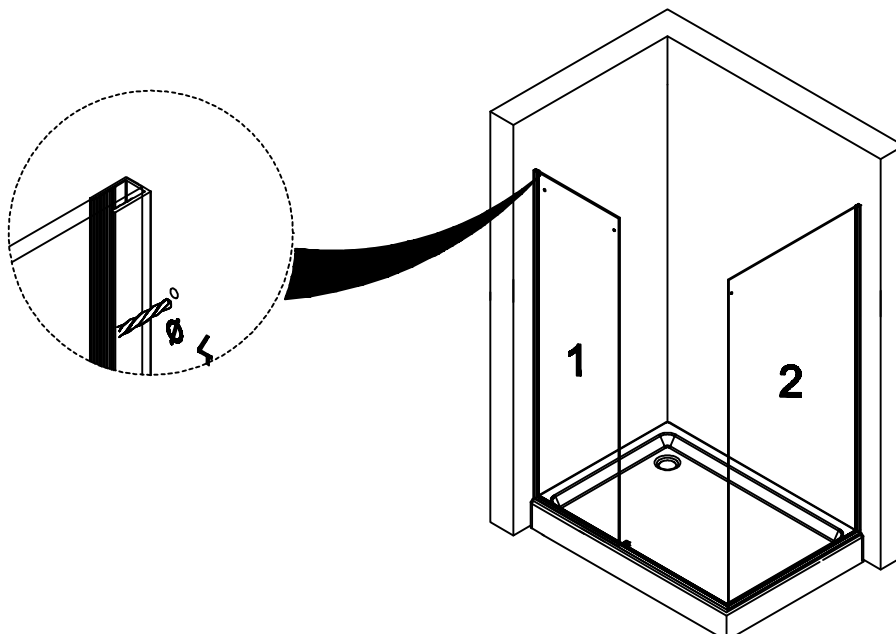


Fig 7



LA SLIDING DOOR INSTALLATION

DOOR ASSEMBLY:

- 1) Install the two top rollers to the glass door panel (as per fig 8) Ensure that the white gaskets are in place between the glass and the roller assemblies. With great care hang the glass door by the roller assemblies. Ensure that the glass door is sitting correctly in the bottom guide.
- 1) Note that the black inner washer is concentric and turning of this will provide adjustment of the door. Level the Door as necessary. Carefully check the operation of the door. Install the two Door retainers to prevent the glass door coming off the top rail. Install the end seal and weather seal. Position and fix the two door stops to limit the travel of the sliding door in both directions. Fit the handle (as per fig 9) Install the bottom trim (as per fig 10)
- 2) Seal the outside perimeter with a neat bead of the silicone sealer (as per fig 11)
- 3)

Fig 8

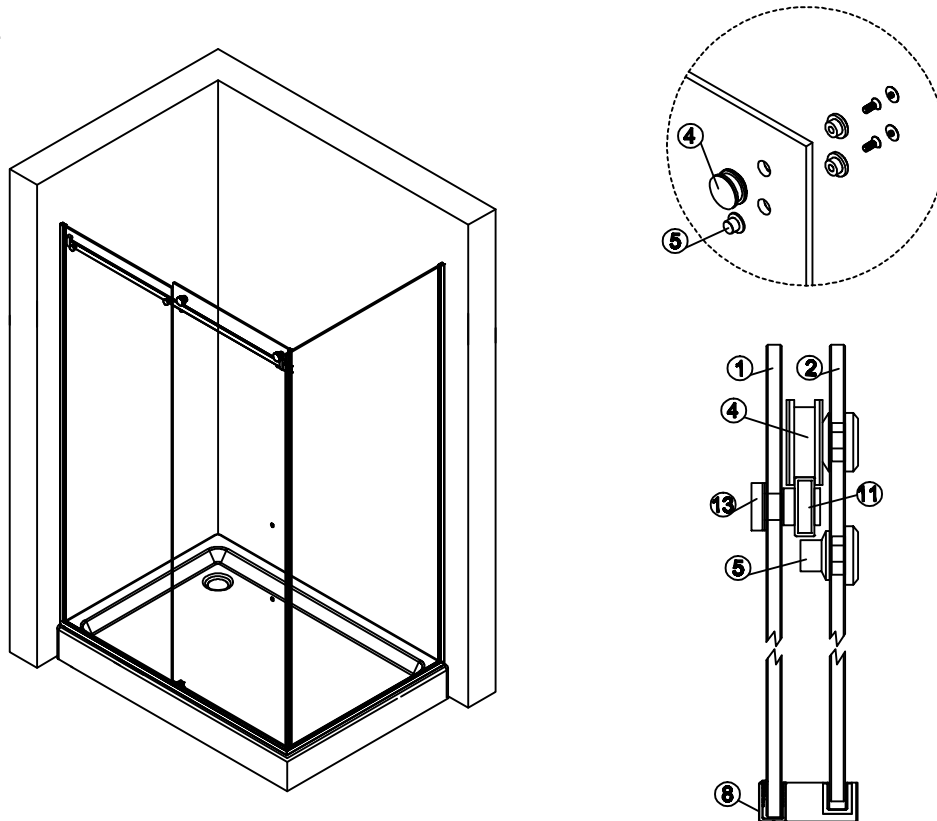
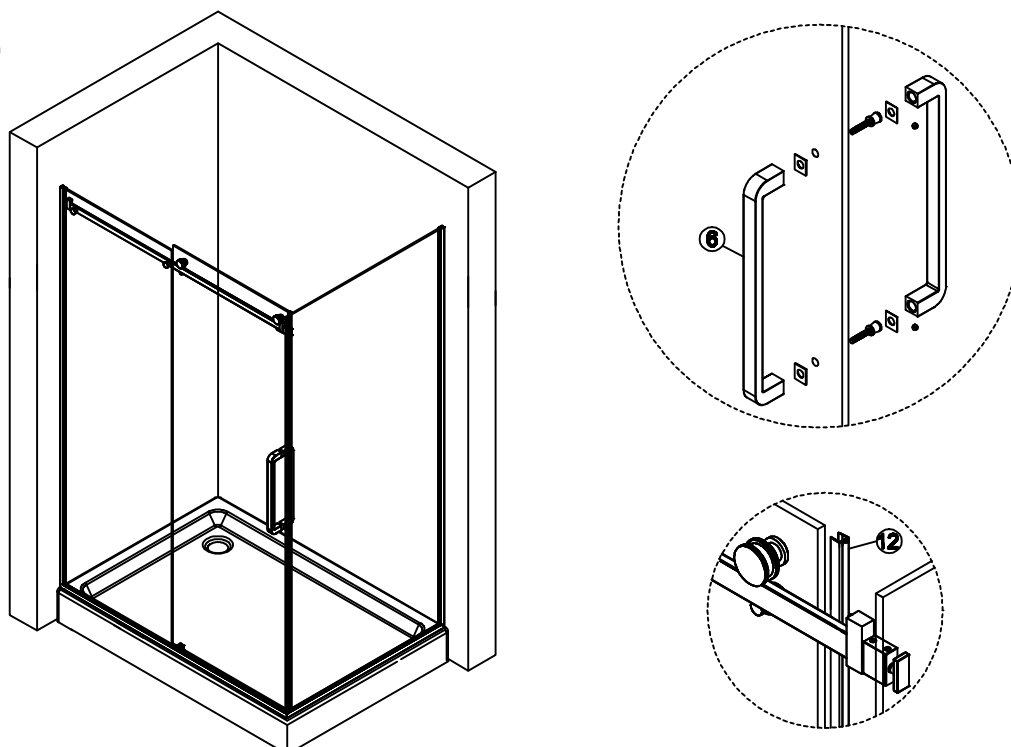


Fig 9



LA SLIDING DOOR INSTALLATION

Fig 10

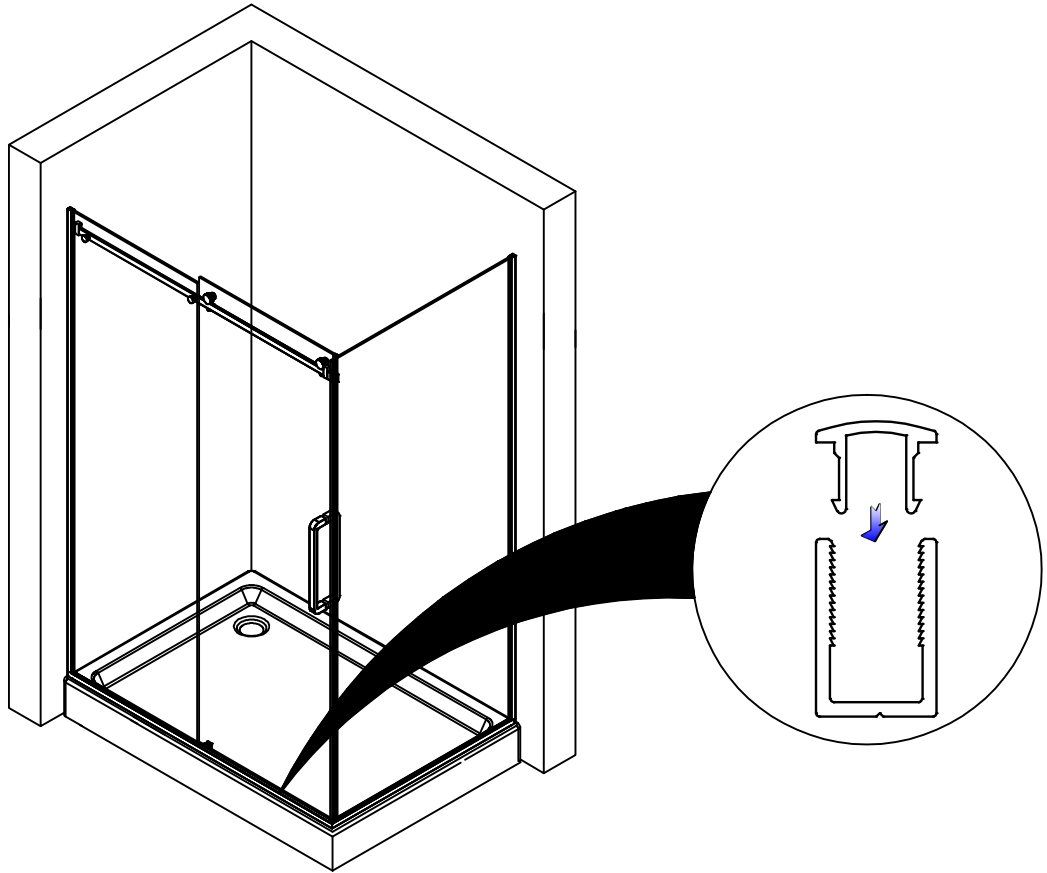


Fig 11

