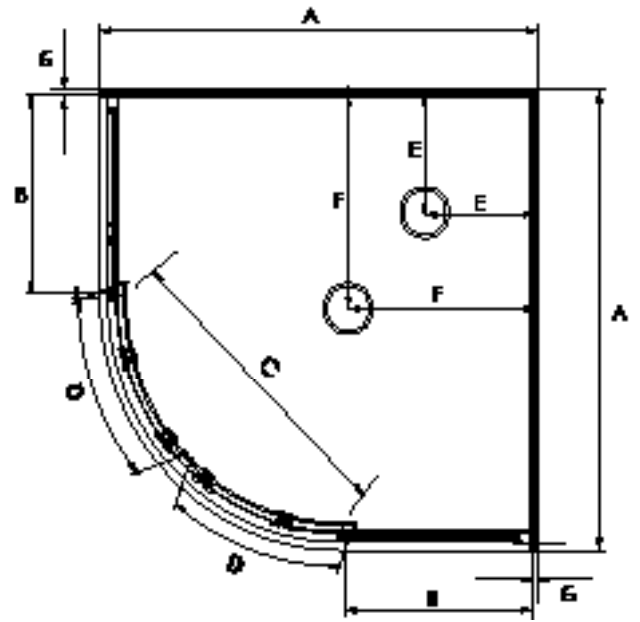


ROUND CORNER EQUAL SIDED BLACK SHOWERS



Pictured Above - Stellar 900 x 900mm Black Flat Wall

See SKU [329184](#)

DESCRIPTION

The Stellar BLACK Round Sliding Door range of Showers can be brought as a complete shower cubicle including Acrylic Tray, Wall Liner and Door pack.

The Door Pack and Tray can also be purchased as individual items for installation on a tiled floor and wall installation.

FEATURES

- Low profile tray with 40mm upstand
- 1950mm high glass
- Total OVERALL height 2020mm
- Quick release rollers for easy cleaning
- Magnetic strip on closing edges of doors
- 6mm Safety Glass
- Polished quality metal chrome handle, inner & outer

LEGEND

Dimension	Description	Shower Size	
		900mm	1000mm
A	Tray External Dimension	900mm	1000mm
B	Return Panel Dimension	335mm	430mm
C	Door Opening Dimension	540mm	540mm
D	Door Panel Dimension	410mm	410mm
E	Waste Position (Corner waste)	250mm	250mm
G	Waste Position (Centre waste)	450mm	450mm
I	Gib and Liner thickness +/- 1.5mm	12.5mm	12.5mm

ORDERING CODES

Description	Shower Size	
	900mm	1000mm
Complete Cubicle Black Flat Wall	329184	329186
Complete Cubicle Black Moulded Wall	329185	329187
Centre waste tray option for complete cubicle	n/a	n/a
Tray Only Centre Waste White	TFR900CW	TFR1000CW
Tray Only Corner Waste White	TFR900CNR	TFR1000CNR
Liner Only Flat Wall 1950mm High White	LB9X9FW2S195	LB1X1FW2S195
Liner Only Moulded Wall 1950mm High White	LB9X9MW2S195	LB1X1MW2S195
Round Door Pack Complete 1950MM High Black	329192	329193

WARRANTY INFORMATION

All bathroomware products supplied by Nouera Shower Systems carry our Quality Assurance and Product Warranty. We use the highest quality materials available and manufacture these in accordance with New Zealand specifications and requirements to ensure that all products are fit for the intended purpose for which they are designed. Our customers peace of mind is of paramount importance to us.

Warranty Periods

Baths	10 years
Showers	10 years
Black coating	5 years

Warranty Exclusions

The product must be installed according to the instructions supplied.
The water supply temperature applied to the product must not exceed 55 degrees Celsius.
Commercial applications are restricted to a 2 year warranty on all products.



CLEANING AND MAINTENANCE

Bathroom products are used often and the following is our suggestion on how to clean and care for them.

Shower Wall

We use Durosan premium quality sanitaryware grade Acrylic. It is, by design, very robust and chemical resistant. A soft damp cloth with non-abrasive cleaners should be used. Use only non-abrasive cleaners that are recommended for acrylic products.

Shower Tray and Bath

We manufacture our Shower Trays and Baths using a Solid Acrylic Surface. Most other shower trays are manufactured using a veneer acrylic surface. The great advantage is that small scratches can be removed easily by using fine cutting compound. Again, the same basic cleaning methods as the wall are recommended.

Shower Doors and Glass

All glass is compliant to AS/NZS 2208. We suggest that the glass surfaces are wiped down or squeegeed following use to remove excess water. For best results use a trusted glass cleaner.

Metal Framework

Should be cleaned using a soft damp cloth with non-abrasive cleaner. Note that on round showers, the bottom rollers are easy release for ease of cleaning. If chemical spray cleaners are used, avoid direct contact with the rollers and guides and ensure the shower is rinsed off to avoid residue build up.

Weather Seals and Drip Strips

Can be removed if required for cleaning, and can be replaced when they no longer look their best. Refer to the spare parts and accessories section of our website for more details.

Note - If the Glass has been treated follow specific cleaning instructions from the system provider.