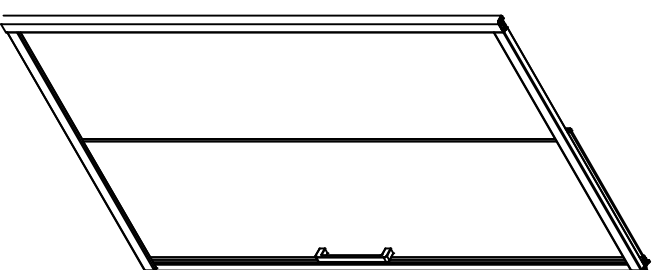
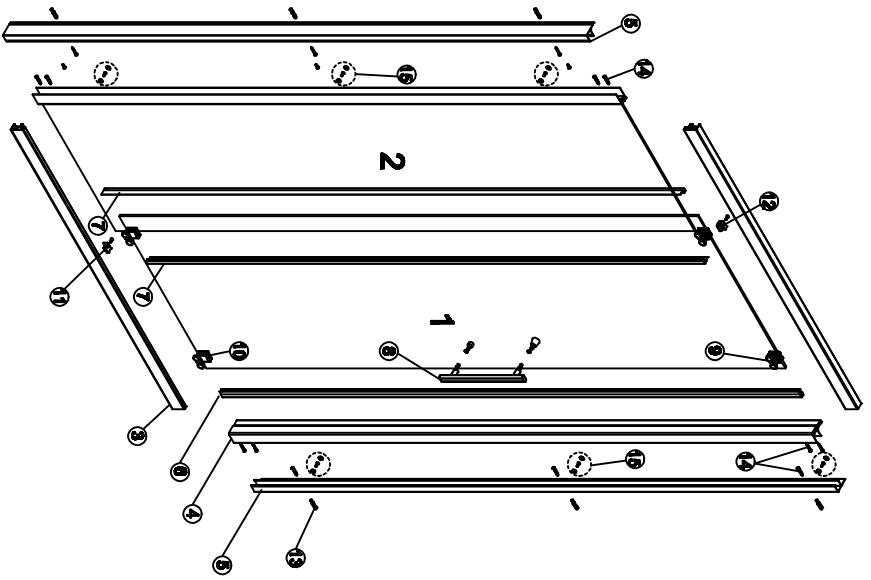


SHOWER ENCLOSURE INSTALLATION INSTRUCTIONS



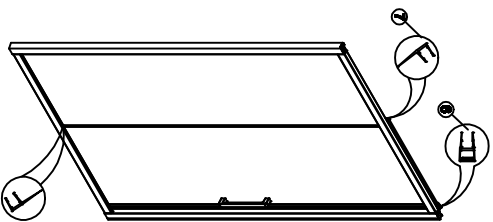
INSPECTION/FTTR OPENING

Please read these installation instructions and check that all the parts are supplied and in good working order. If there are any missing or damaged items, please contact your supplier.



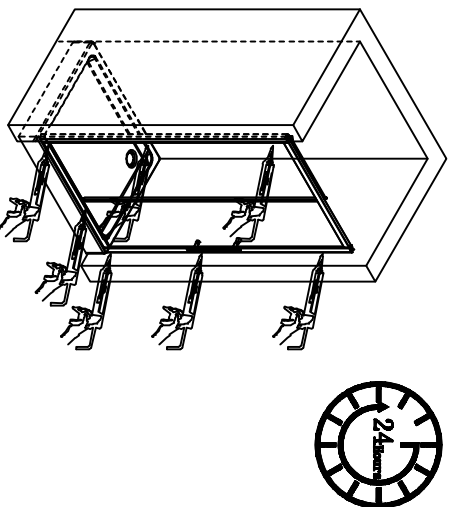
7) Insert the weather seal (Item6) and vertical seal (Item7) into the assembly door (as per fig 5)

Fig 5



8) Seal the outside perimeter with a neat bead of the silicone sealer(as per fig 6)

Fig 6



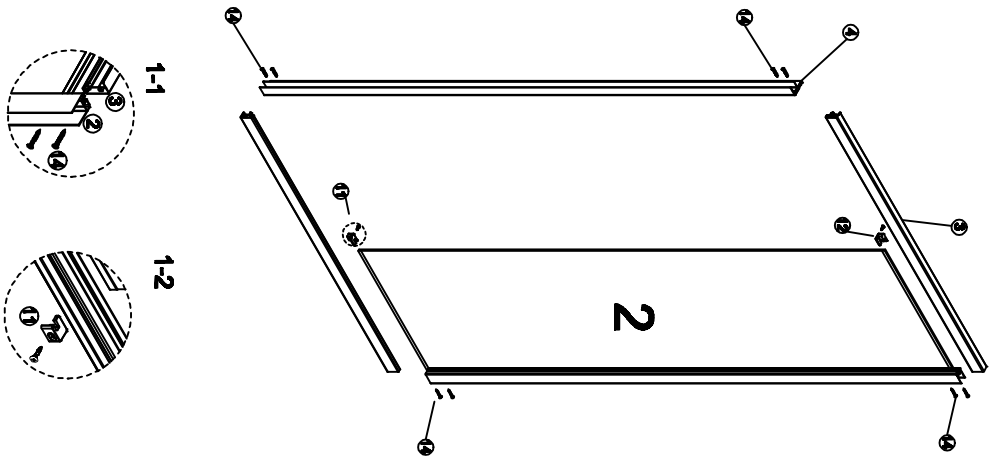
NO.	PHOTOS	PIECES	DESCRIPTION
1		1	DOOR ASSEMBLY
2		1	GLASS FIXED PANEL
3		2	RAIL
4		1	VERTICAL DOOR EXTENSION
5		2	DOOR WALL RECEIVER
6		1	WEATHER SEAL
7		2	VERTICAL SEAL
8		1	HANDLE SETS

NO.	PHOTOS	PIECES	DESCRIPTION
9		2	TOP ROLLERS
10		2	BOTTOM ROLLERS
11		1	GLASS FIXING HARDWARE
12		1	GLASS FIXING HARDWARE
13		6	WALL PLUGS
14		14	SCREWS 3X30
15		6	SCREWS 3X12
16			

Before installing the door, the shower base and wall lining must already be installed in accordance with the separate instructions.

- 1) Use 8 pcs ST4x30 screw (Item 14) fasten (Item 2) and (Item 4)
- 2) Use 2 pcs ST4x16 screw fasten the glass fixing hardware (Item 11) with the glass (Item 2)

Fig 1



- 3) Insert the frame (Figure 1) into the return panel, use 3 pcs ST4x16 (Item 14) screw fixing the (Item 5) as fig (2-1) and fig (2-2)

Fig 2

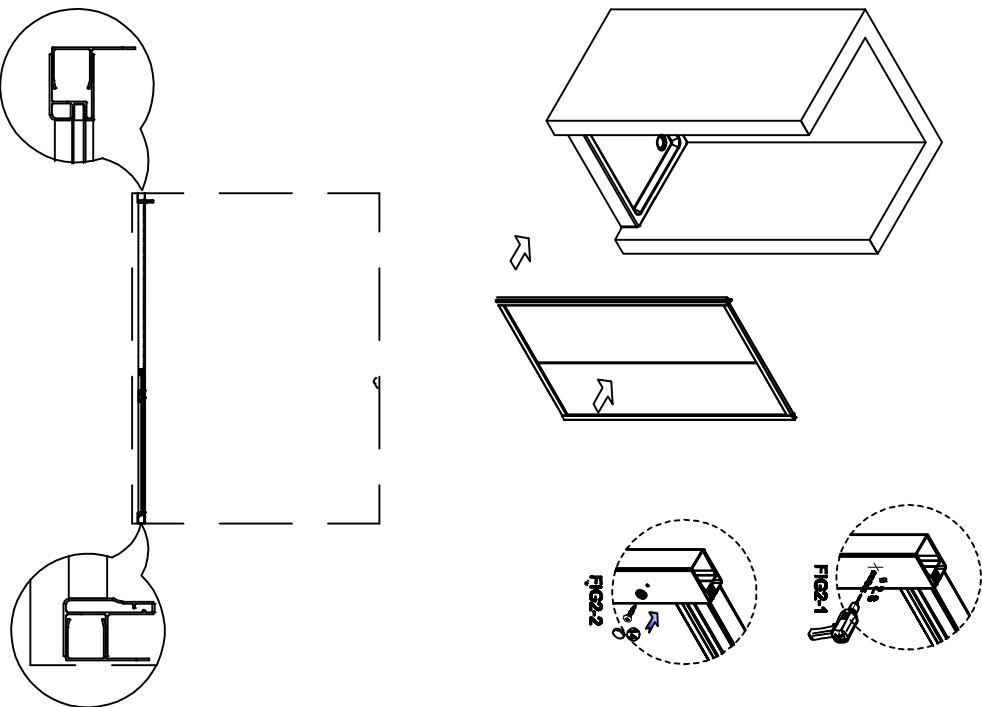


Fig 3

- 4) Push the rear cover out of the rollers, remove the screw on the rollers. Reinstall the rollers on the glass, pay attention to the position of top rollers (Item 9) as (fig 3-1) and bottom rollers (Item 10) as (fig 3-2).
- 5) Assemble the handle on the glass as (fig 3-3)

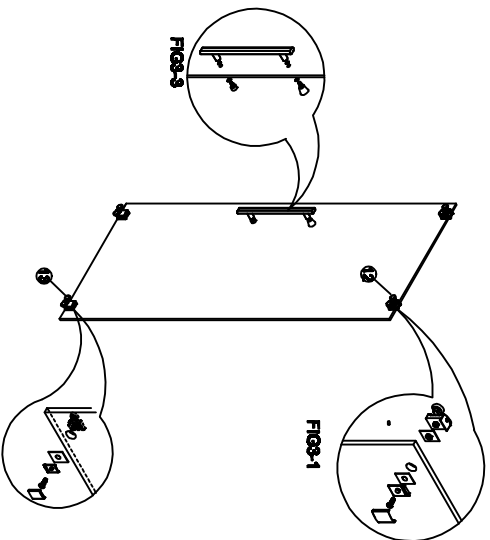
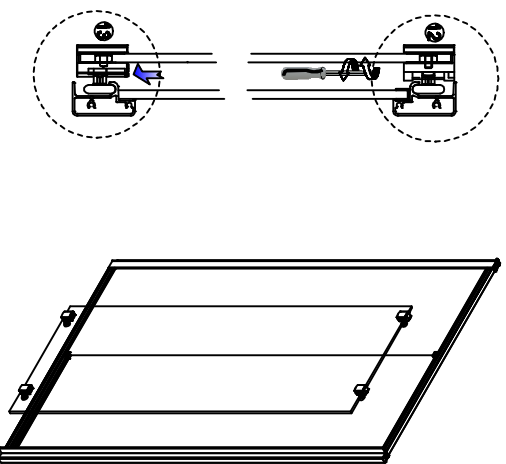


Fig 4

- 6) Hang the assembly door on the frame which finished at fig 3 and adjust the screw under the roller to the correct position.



**PLEASE READ CAREFULLY
GENERAL INFORMATION**

When you received your Shower packages, Please check for any damage. If damage has occurred advise your supplier immediately and do not proceed with installation. Damage reported after installation will not be accepted.

INSTALLATION NOTES

All layout measurements assume the floor is level, the wall are plumb and all surfaces flat. Any variations must be adjusted in the measurements provided.

Toughened safety glass cannot be reworked. Do Not try to alter parts in any way.

PREPARATION

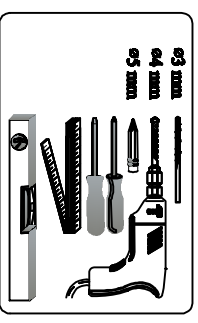
The walls must be plumb with internal corner being at 90 degrees. Solid fixing must be provided in the walls behind the wall channels and behind the wall mounted rail bracket shown in the Layout Plan Diagram.

SAFETY GUIDE

This product is heavy and may require two people to install. Always stand glass up after unpacking the components and use soft packing where in contact with hard surfaces. Take care not to strike an edge or corner on a hard surface. Special care should be taken when drilling walls to avoid hidden pipes or electrical cables. Wear protective gloves and eye protection.

**THE FOLLOWING TOOLS ARE
REQUIRED**

- Drill
- Screw Driver
- Silicone Sealer
- Allen Key's (supplied)
- Spirit Level
- Marker Pencil
- Caulking Gun
- Tape Measure
- Cutter
- Drill Bits 3mm 4mm 5mm



WE RECOMMEND THAT A PROFESSIONAL SHOWER INSTALLER IS USED FOR INSTALLATION OF THIS PRODUCT TO ENSURE THE VERY BEST OUTCOME.