

## SHOWER ENCLOSURE INSTALLATION INSTRUCTIONS

- Attach Weather Seals: The longer ones are for the Curved Round Glass Doors and the shorter ones are for the Flat Glass Panels. Attach the Magnetic Seals (if not already fitted) All of these Seals require a firm fit. Do not reverse the Magnetic Seals.
- Fix the Handle Assemblies to the two Curved Glass Doors. Do not over tighten.
- DOOR ADJUSTMENT. Using a Medium Phillips screw driver turn the Top Roller Adjustment Screw. Each Top Roller has adjustment. Firstly check that the Bottom Rollers can be released (for cleaning purposes). If this cannot be achieved adjust the Top Rollers to lower the Curved Glass Door. Ensure that the Bottom Rollers release correctly. Repeat this procedure for both Curved Glass Doors. Once this "Coarse" adjustment is done slide the doors together and check that they meet evenly. Hold the two doors apart and finely adjust the Top Rollers to achieve an even gap just before the Magnetic Seal pulls them together. Check the doors for smooth and even operation.

- **SEALING OF THE SHOWER \*\* IMPORTANT\*\***

This is most important and should **ONLY** be performed by an experienced Shower Installer. The Installer carries the guarantee of workmanship which covers the water proofing of the Shower Door.

The following is a guide only and it must be understood that the Installer carries this responsibility

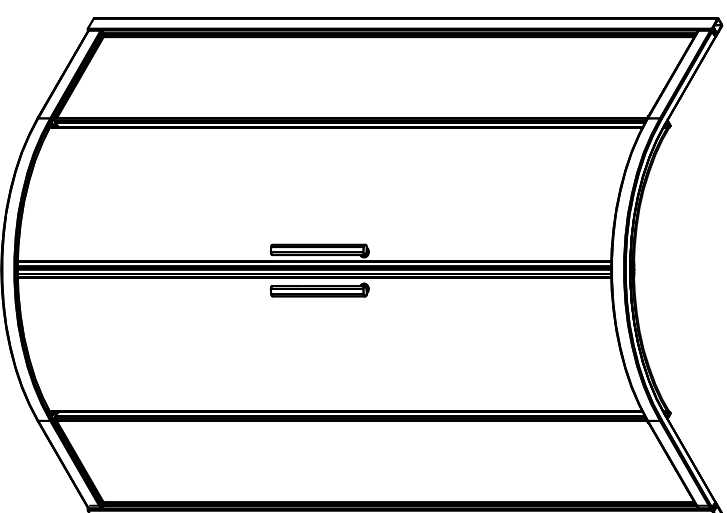
Make a continuous seal of Silicone around the **OUTSIDE** of the shower only. (As per fig 10) No Silicone should be applied to the inside of the Shower. A neat finish can be achieved by carefully "masking" the join between the Aluminium Extrusions and the Acrylic Walls/Shower Base again as per fig 110. Apply a bead of Silicone around the perimeter as evenly as possible. Then using a "gloved" finger wipe along the length of the bead starting at the top on one side and working toward the other end. This wiping motion will further push the Silicone into the gap and create a good seal. Periodically wipe any excess away. If you have not done this before practice with a cardboard box or something similar.

**\*\*\*IMPORTANT\*\*\*** The Masking tape must be removed prior to the Silicone curing.

Once the Masking Tape is removed any small imperfections should not be attended to until the Silicone has cured.

Helpful Hint. As the door frame is metal and subject to condensation in low temperature no sealing should be attempted in very low temperatures. We recommend above 20 Degrees Celsius for good long term adhesion.

We recommend Sialflex NG ARCTIC White. Refer to User Guide for specific information. Allow 24 Hours before use.



### INSPECTION AFTER OPENING

Please read these installation instructions and check that all the parts are supplied and in good working order. If there are any missing or damaged items, please contact your supplier.

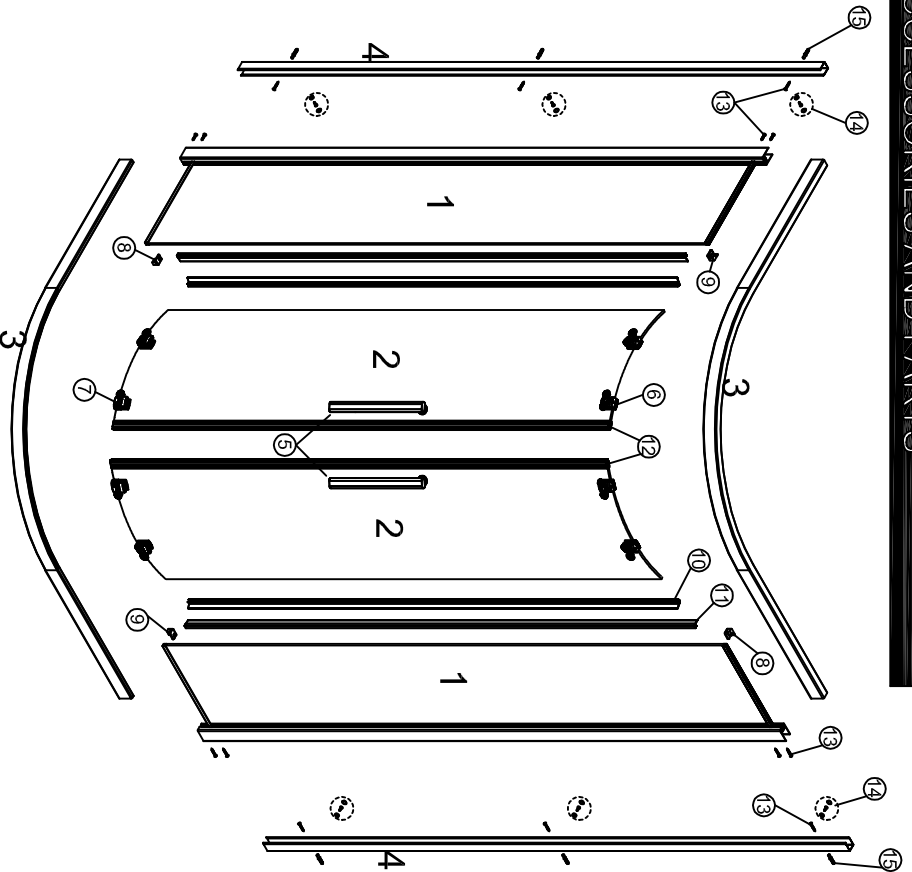


Fig 10

NO.	DESCRIPTION	PIECES
1		2
2		2
3		2
4		2
5		2
6		2
7		2
8		2

NO.	DESCRIPTION	PIECES
9		2
10		2
11		2
12		2
13		14
14		6
15		6
16		4

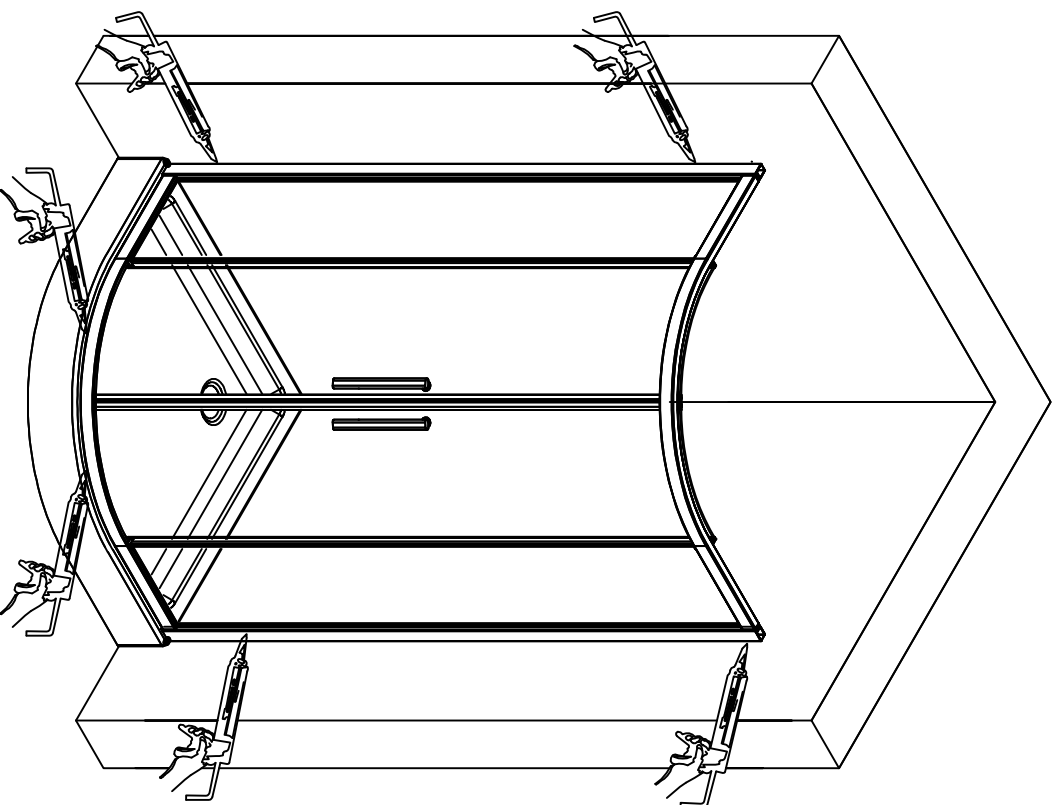


Fig 8

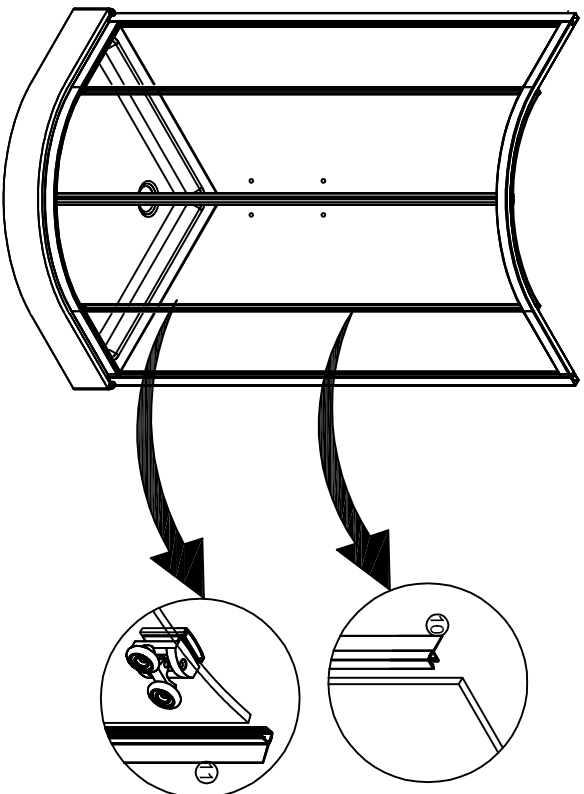


Fig 9

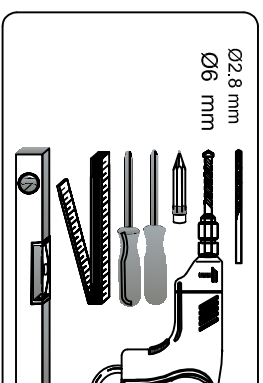
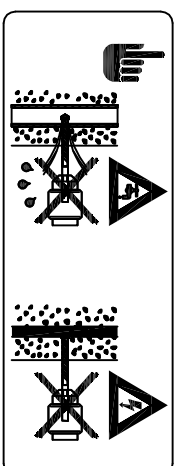
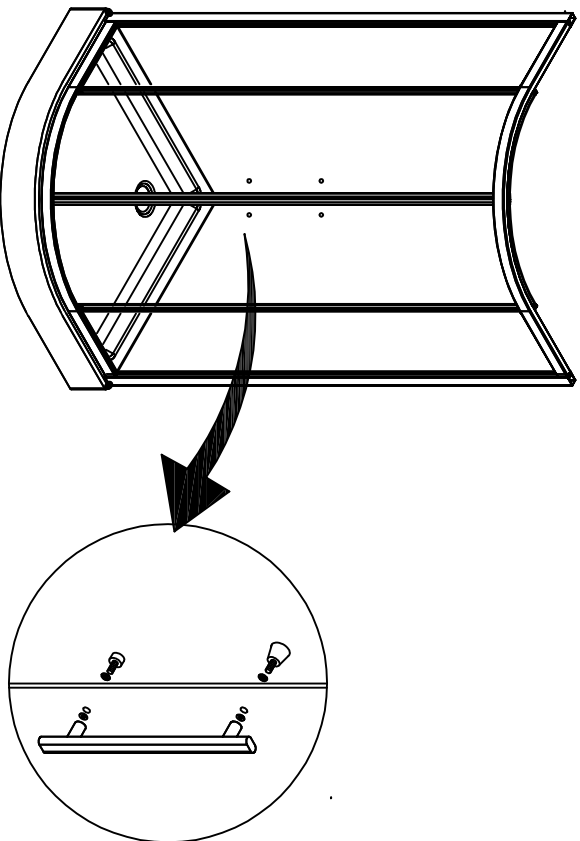
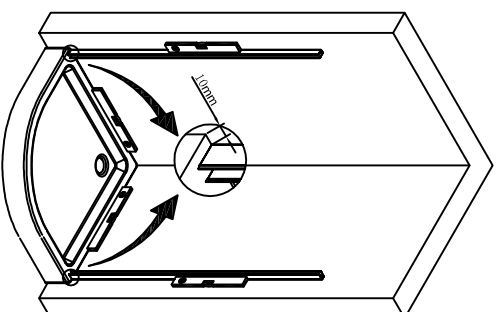


Fig 1



INSTALLATION INSTRUCTIONS

BEFORE INSTALLING THE DOOR, THE SHOWER BASE & WALL LINER MUST BE ALREADY INSTALLED IN ACCORDANCE WITH THE SEPARATE INSTRUCTIONS.

MEASURE APPROXIMATELY 10MM FROM THE EDGE OF THE SHOWER BASE AND MARK THIS POSITION (BOTH SIDES). THEN PLACE THE WALL RECEIVER IN POSITION AND LEVEL VERTICALLY ( FIG1 ) DRILL HOLES USING 3MM DRILL BIT.(SOLID FIXING TO NOGS IS PREFERRED),HOWEVER IF A NOG IS NOT AVAILBLE ENLARGE THE HOLE TO 6MM TO RECEIVE A WALL PLUG ( REFER FIG2 ). NOTE THAT THE WALL RECEIVERS ARE PREDRILLED.WITH THE ST 4\*30 SS SCREWS SUPPLIED(PAGE3 ITEM B FIX THE WALL RECEIVERS TO THE WALL.IT IS ADVISABLE TO APPLY A SMALL "EYE BROW"BEAD OF SILICONE SEALER ABOVE EACH SCREW PRIOR TO FIXING.APPLY SILICONE TO THE SCREW THREAD ALSO.

Fig 2

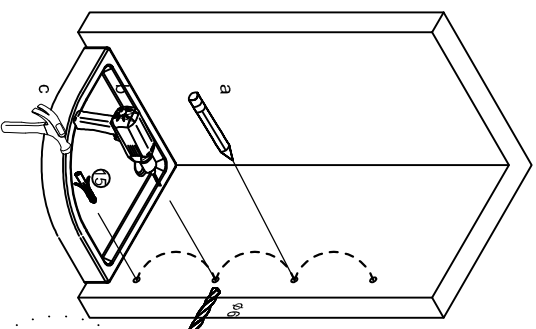


Fig 3

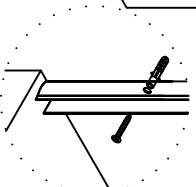
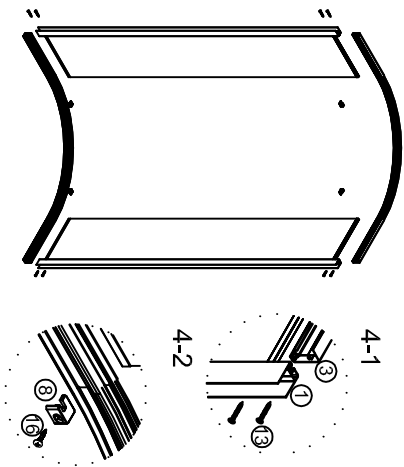


Fig4



FIT THE FLAT GLASS PANELS TO THE TOP & BOTTOM CURVED RAILS(REFER FIG4)USING THE ST 4\*30SIS SCREW SUPPLIED (PAGE 3 ITEM 13)SECURE THE CURVED RAILS AND FLAT GLASS PANEL ASSEMBLES.

FIX THE 4 RETAINER BRACKETS (PAGE 3 ITEMS 8 & 9)TO SECURE THE FLAT GLASS PANELS TO THE CURVED RAILS.USE 4 SCREWS (PAGE 3 ITEM 16)ST 4\*16 S/S SCREWS.

Fig 6

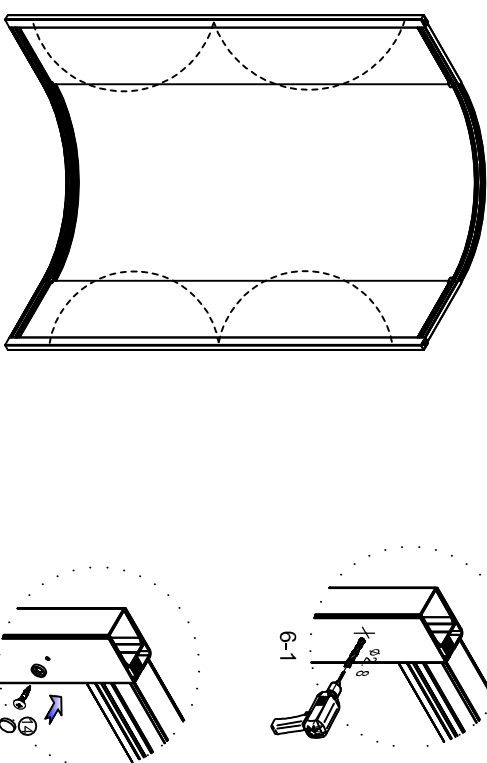


Fig 7

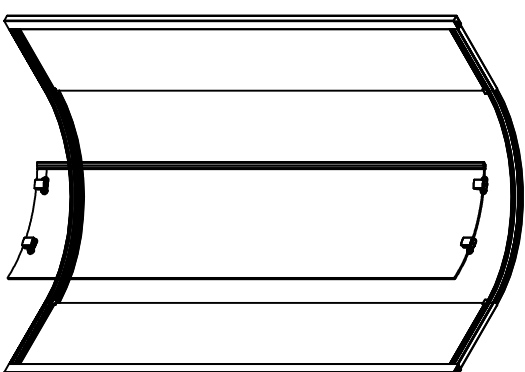
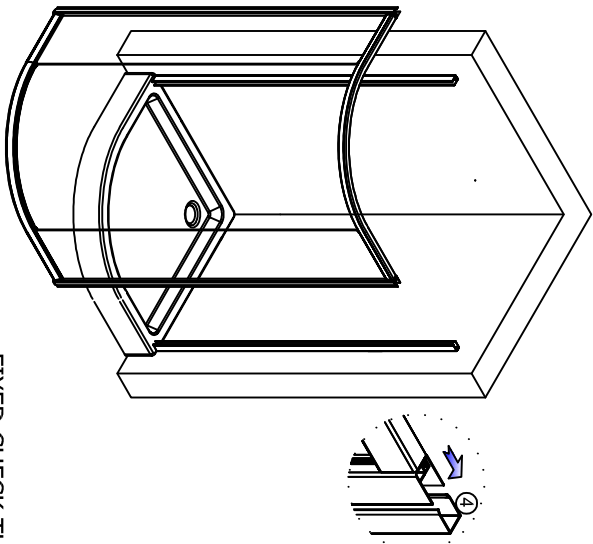


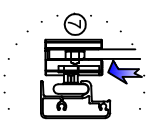
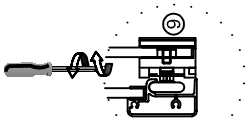
Fig5



THIS COMPLETED ASSEMBLY (REFER FIG 5) CAN NOW BE FITTED TO THE WALL RECEIVERS (ALREADY FITTED) NOTE THAT THIS DOOE ASSEMBLY FITS OVER BOTH SIDES OR THE WALL RECEIVER.THIS ALLOWS FOR CORRECT FITTING AND A DJUSTMENT.POSITION THE DOOR ASSEMBLY SO THAT THE BOTTOM CURVED RAILS IS THE BEST FIT TO THE SHOWER BASE.ATTACH THE CURVED DOOR ASSEMBLY TO THE WALL RECEIVERS BY DRILLING HOLES (USING 2.8MM DRILL BIT)AT THE BOTTOM CORNERS FIRST.(INSIDE THE SHOWER)BEST POSITION IS APPROXIMATELY 50MM UP FROM THE BOTTOM OF THE DOOR FRAME.FIX IN PLACE USING THE ST4\*12S/S SCREWS RECIEVE THE COVER CAPS.ONCE THE TWO BOTTOM CORNERS ARE FIXED CHECK THE VERTICAL LEVEL AND REPEAT THE PROCEDURE FOR THE 4 REMAINING SCREWS(TOTAL OF 6 SCREWS) COVER THE SCREWS WITH THE CAPS SUPPLIED.REFER FIG 6.

6-2

6-1



WITH GREAT CARE HANG THE CURVED DOOR ON TO THE TOP CURVED RAIL.THIS IS EASIEST DONE BY STANDING INSIDE THE SHOWER.TILT THE TOP OF THE CURVED GLASS DOOR AWAY FROM YOU.TO ACHEVE AN ANGLE AND FIT THE TOP ROLLERS IN TO THE TOP CURVED RAIL TRACK.ONCE THE ROLLERS ARE SECURELY IN POSITION ALLOW THE DOOR TO HANG.STEP OUTSIDE THE SHOWER AND PUSH DOWN ON THE BOTTOM ROLLERS AND PULL THE DOOR BACK TOWARDS YOU.SLIDE THE ROLLERS UNDER THE BOTOM GUIDE OF THE CURVED RAIL TRACK .NOTE:YOU MAY NEED TO ADJUST THE TOP ROLLERS TO ACHIEVE THIS (SEE DOOR ADJUSTMENT PROCEDURE) REPEAT THIS PROCEDURE FOR THE OTHER ROUND GLASS DOOR.