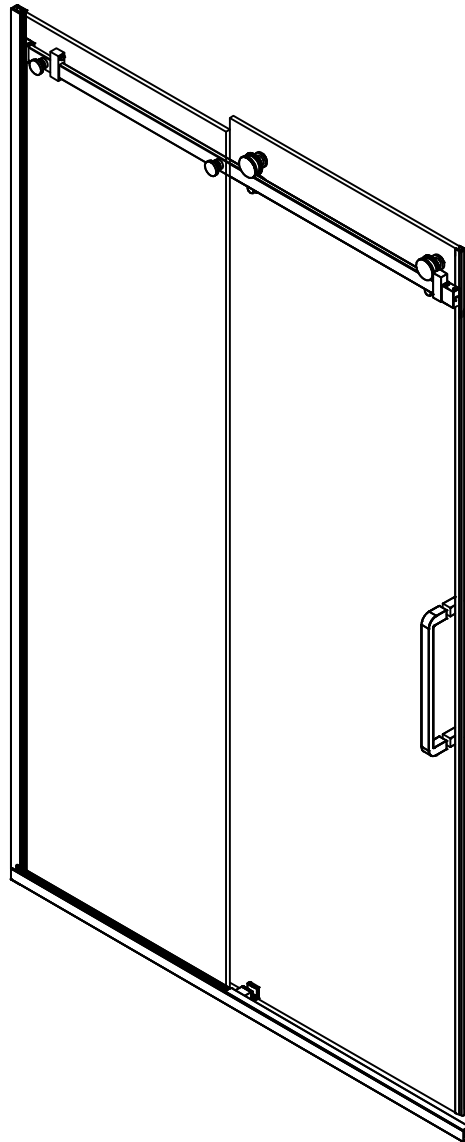


# LA SLIDING DOOR-ALCOVE

---

## SHOWER ENCLOSURE INSTALLATION INSTRUCTIONS



### INSPECTION AFTER OPENING

Please read these installation instructions and check that all the parts are supplied and in good working order. If there are any missing or damaged items, please contact your supplier.

# LA SLIDING DOOR-ALCOVE

---

## SHOWER ENCLOSURE INSTALLATION INSTRUCTIONS

### PLEASE READ CAREFULLY GENERAL INFORMATION

**When you received your Shower packages, Please check for any damage. If damage has occurred advise your supplier immediately and do not proceed with installation. Damage reported after installation will not be accepted.**

### INSTALLATION NOTES

**All layout measurements assume the floor is level, the walls are plumb and all surfaces flat. Any variations must be adjusted in the measurements provided.**

**Toughened safety glass cannot be reworked. Do Not try to alter parts in any way.**

### PREPARATION

**The walls must be plumb with internal corner being at 90 degrees.**

### SAFETY GUIDE

**This product is heavy and may require two people to install.**

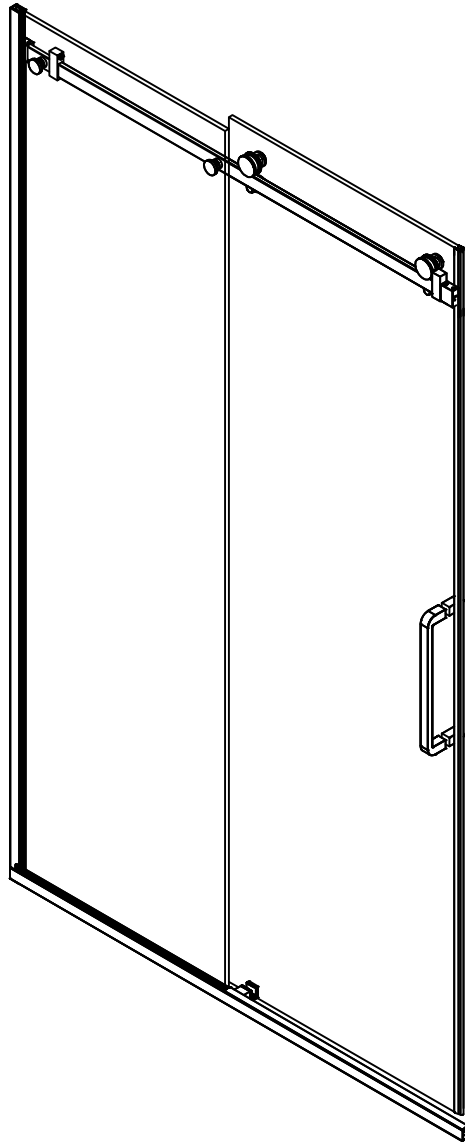
**Always stand glass up after unpacking the components and use soft packing where in contact with hard surfaces. Take care not to strike an edge or corner on a hard surface.**

**Special care should be taken when drilling walls to avoid hidden pipes or electrical cables.**

**Wear protective gloves and eye protection.**

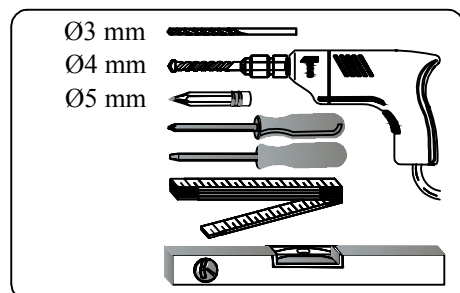
# LA SLIDING DOOR-ALCOVE

## COMPLETE INSTALLATION DIAGRAM



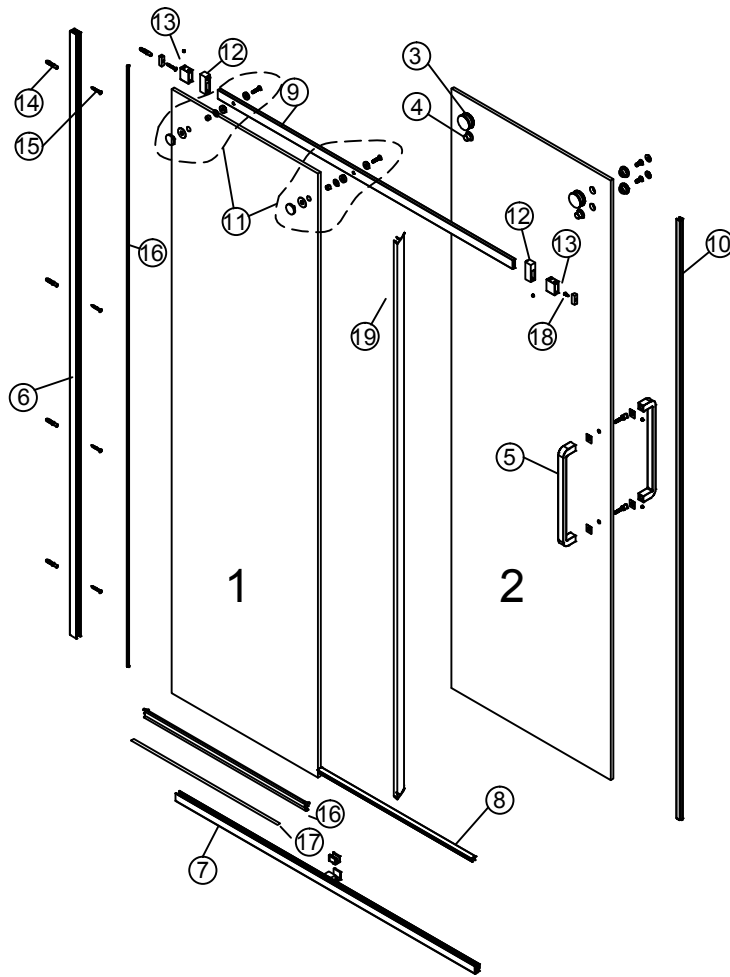
### THE FOLLOWING TOOLS ARE REQUIRED

- Drill
- Screw Driver
- Silicon Sealer
- Allan Keys (supplied)
- Spirit Level
- Marker Pencil
- Caulking Guns
- Tape Measures
- Cutter
- Drill Bits 3mm 4mm 5mm



WE RECOMMEND THAT A PROFESSIONAL SHOWER INSTALLER IS USED FOR INSTALLATION OF THIS PRODUCT TO ENSURE THE VERY BEST OUTCOME.

# ACCESSORIES AND PARTS



| NO. | PHOTOS | PIECES | DESCRIPTION           |
|-----|--------|--------|-----------------------|
| 1   |        | 1      | GLASS FIXED PANEL     |
| 2   |        | 1      | DOOR ASSEMBLY         |
| 3   |        | 2      | ROLLER SET            |
| 4   |        | 2      | LOCK IN KNOB SETS     |
| 5   |        | 1      | HANDLE SET            |
| 6   |        | 1      | WALL CHANNEL          |
| 7   |        | 1      | BOTTOM CHANNEL        |
| 8   |        | 1      | CHANNEL COVER         |
| 9   |        | 1      | RAIL                  |
| 10  |        | 1      | BUFFER STRIP          |
| 11  |        | 2      | GLASS FIXING HARDWARE |

| NO. | PHOTOS | PIECES | DESCRIPTION                 |
|-----|--------|--------|-----------------------------|
| 12  |        | 2      | GLASS BLOCK                 |
| 13  |        | 1      | RAIL-WALL MOUNTING BRACKETS |
| 14  |        | 9      | WALL PLUGS 6MM              |
| 15  |        | 9      | SCREW ST4X30                |
| 16  |        | 4      | GLASS EDGE SEAL             |
| 17  |        | 2      | GLASS SEAL                  |
| 18  |        | 2      | SCREW ST4X12                |
| 19  |        | 1      | VERTICAL SEAL               |
| 20  |        |        |                             |
| 21  |        |        |                             |
| 22  |        |        |                             |

# LA SLIDING DOOR INSTALLATION

Before installing the door, the shower base and wall lining must already be installed in accordance with the separate instructions.

1) Place the bottom glass receiver (item 7) on to the tray and position approximately 12mm from the front edge of the shower tray. The bottom glass receiver is made for acrylic wall installation. For tile or other installation the length may have to be reduced to fit. Ensure that it is parallel with the outside edge of the tray. Do not fasten. The bottom receiver is Silicone fixed only.

2) Position the vertical wall receiver (item 6) to align with the already fitted bottom glass receiver. Level vertically, mark, drill and fix to the wall using ST4-30 stainless steel screws (item 15) as per fig 1, 2 and 3. It is good practice to apply an "eyebrow" of silicone sealer above each screw prior to fixing. Apply silicone to the screw thread also. Note: Solid fixing is preferred. However if a nog is not available enlarge the hole to 6mm to receive a wall plug. (item 14)

## LAYOUT PLAN DIAGRAM

Fig 1

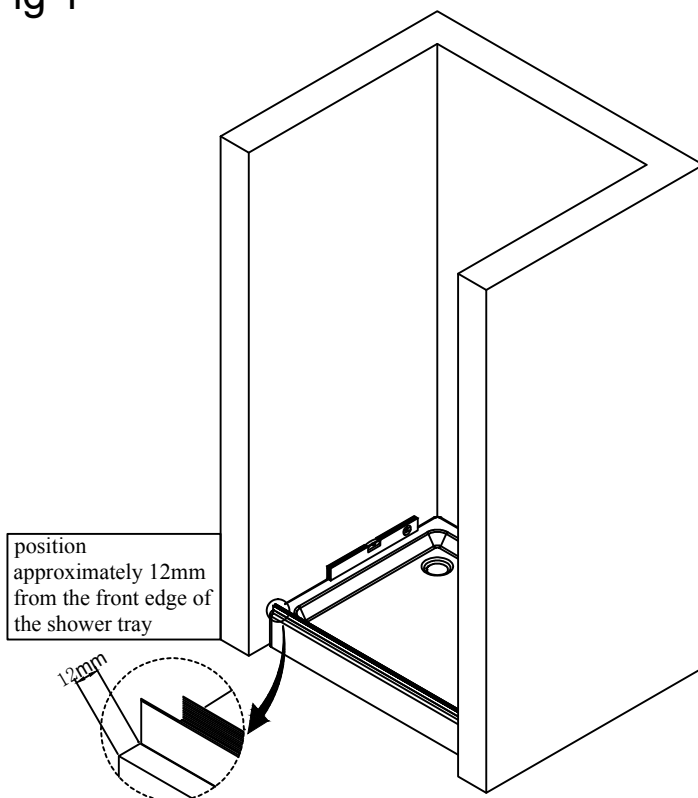


Fig 2

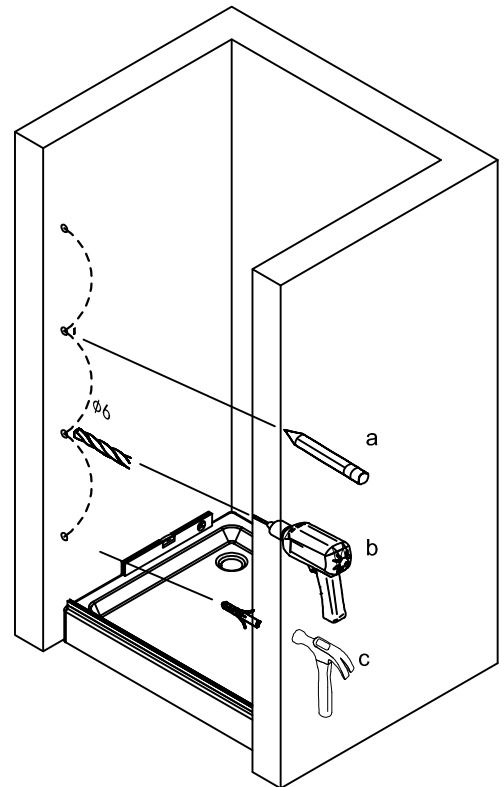
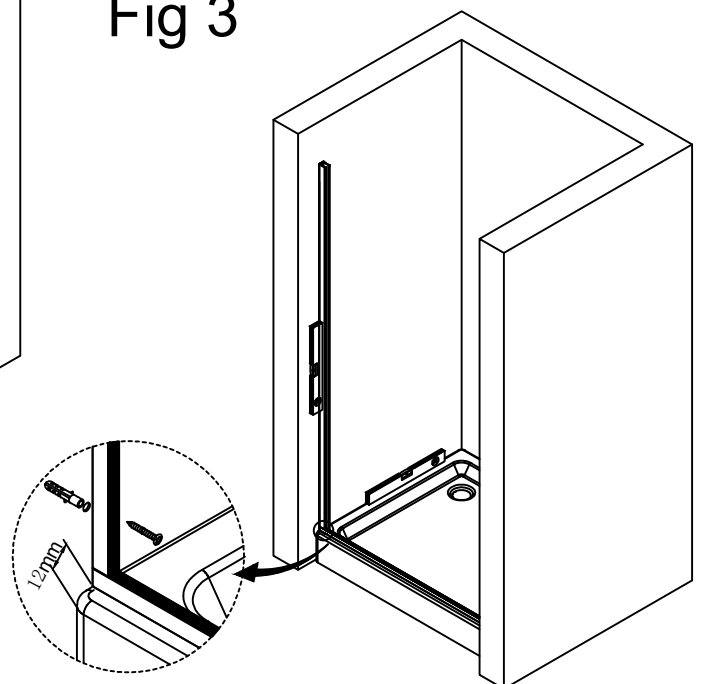
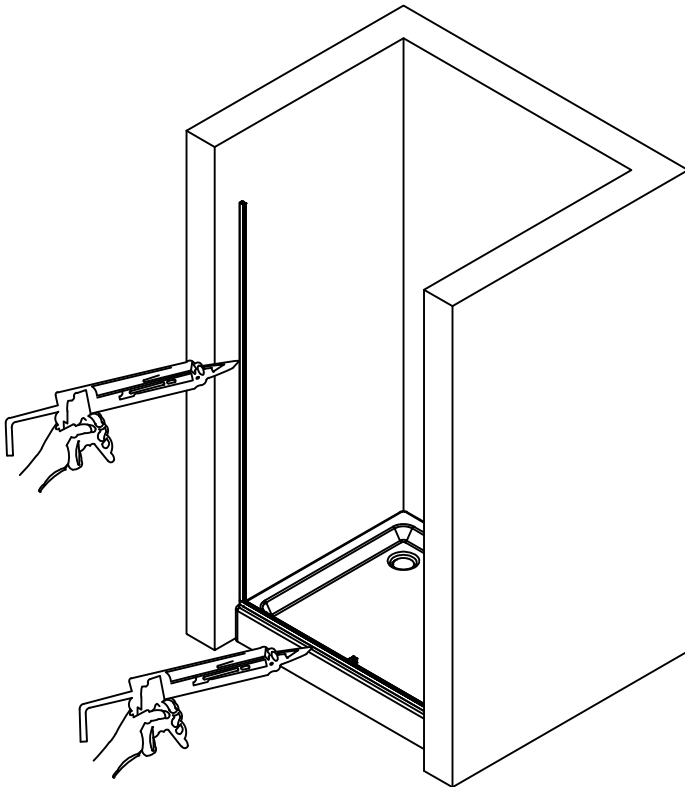


Fig 3



# LA SLIDING DOOR INSTALLATION

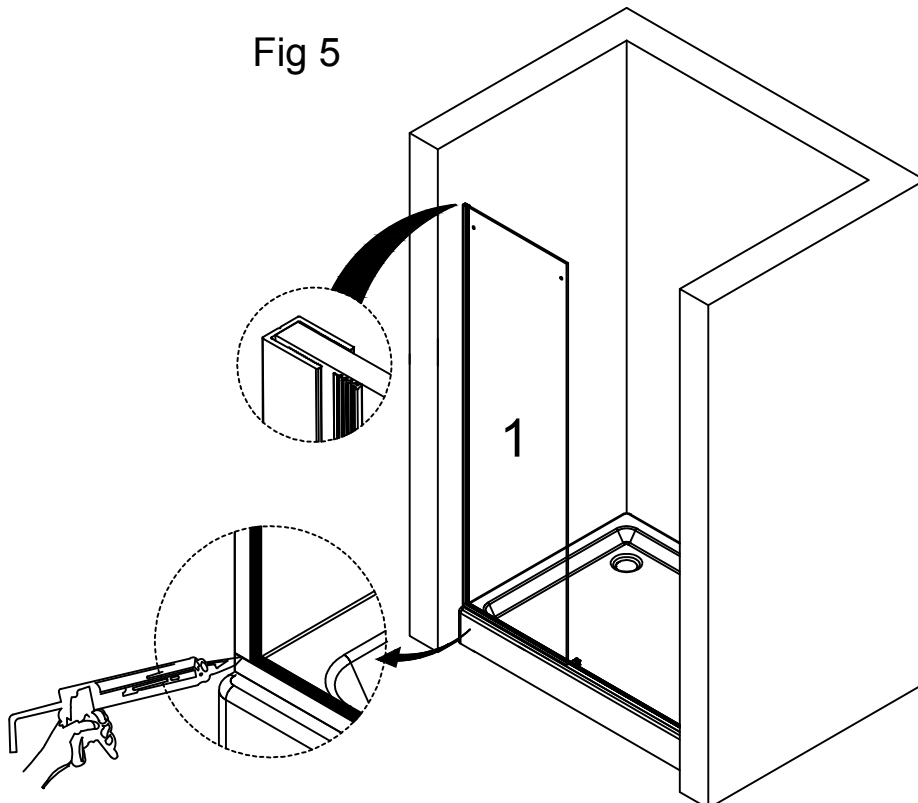
Fig 4



Apply high quality neutral cure silicone to the outside.  
**DO NOT USE** shower for 24 hours.

3) With great care place the fixed glass panel in to position. Take great care not to knock the edge of the safety glass. Check that the glass panel is level. Use the flat silicone packers supplied (item 17) if required to level. Fit the silicone wedges (item 16) to the outside of the glass panel in between the aluminum receiver and the glass. (as per fig 5) Note: Apply a small amount of clear silicone to the 90 degree corner junction.

Fig 5



# LA SLIDING DOOR INSTALLATION

## TOP RAIL ASSEMBLY:

- 1) Fit the two wall to rail mounting blocks (items 13) onto each of the Top Rail (item 9). These are mounted so that the allen screws are on the top. Tighten the allen key to prevent the block from falling off and causing damage.
- 2) Attach the Top Rail to the fixed glass panel using the mounting bracket assembly (item 11). Take special care to ensure that the spacers and washers are installed correctly to avoid direct contact of glass to metal. (as per fig 7) Ensure that the top rail is level. Mark the position of both wall mounting blocks on the wall. You may need to loosen the allen key.
- 3) Remove the Top Rail and the wall mounting blocks.
- 4) Position one wall mounting block in the marked position and drill a 4mm hole through the wall. (Drill the hole central to maximize possible adjustment) Attach the fixing block to the wall. Repeat the process for the opposite wall mounting bracket. Loosen the allen keys and remove the outer sleeve of the mounting blocks leaving the fixing blocks attached to the wall.
- 5) Slide on the Top Rail the two door travel stops (item 12). Slide on the two outer sleeves of the wall mounting brackets. Again, tighten these to avoid falling off during the assembly process. Attach the Top Rail to the fixed glass panel and slide the mounting bracket sleeves on to the fixing blocks. Check that top rail is level and adjust the fixing blocks if necessary. Secure tightly the three fixing points if possible.

Fig 6

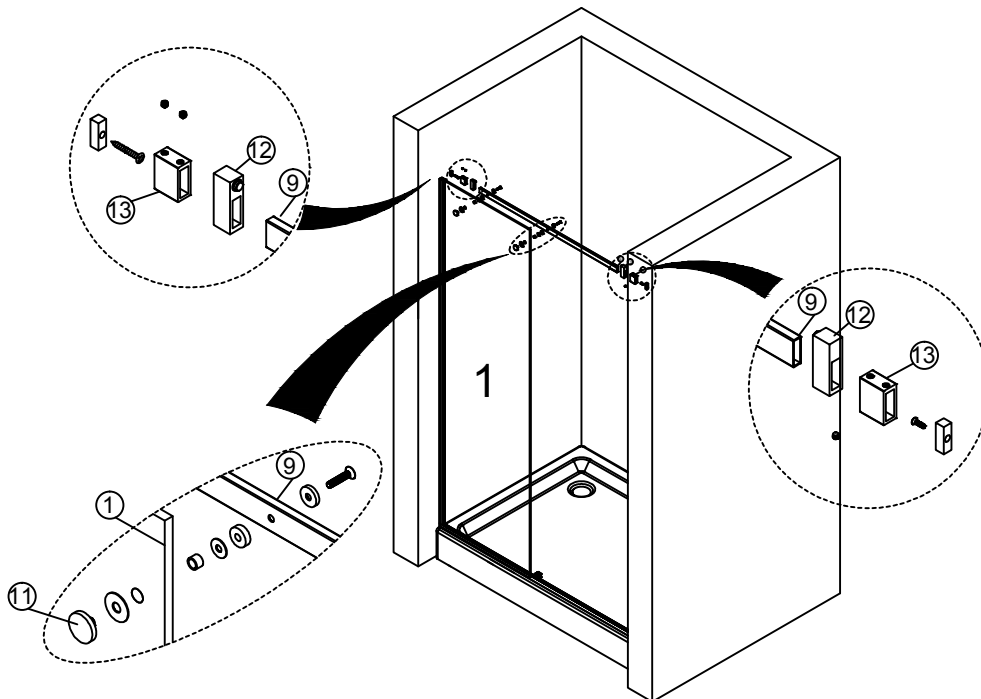
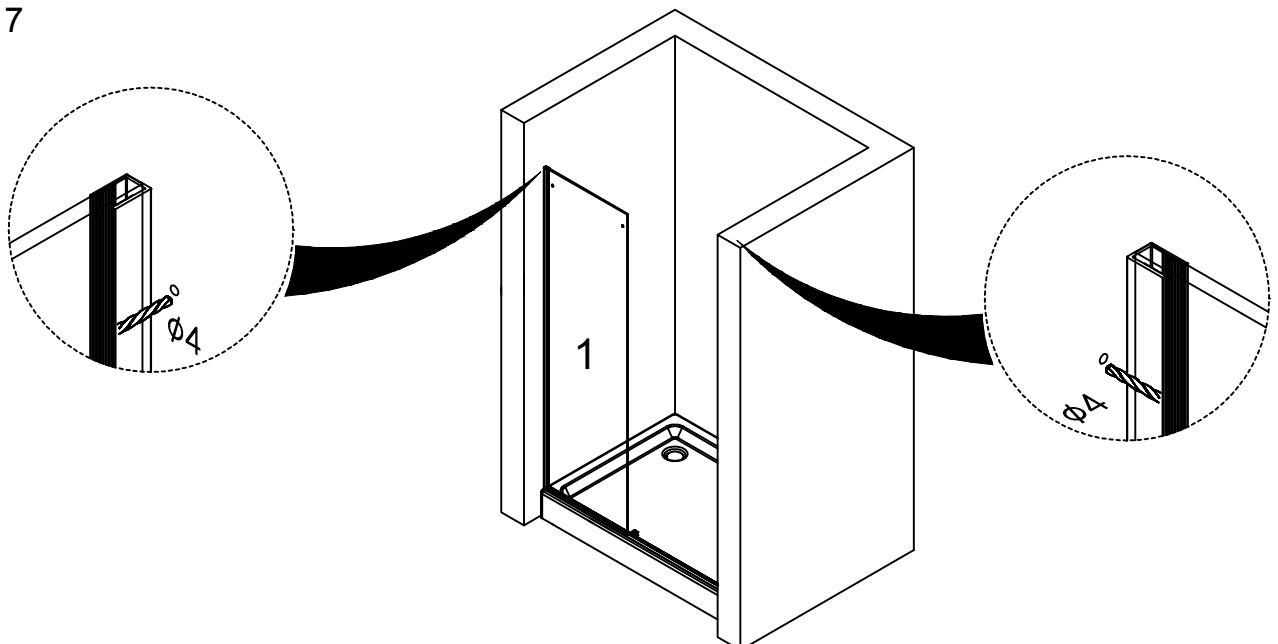


Fig 7



# LA SLIDING DOOR INSTALLATION

## 1) DOOR ASSEMBLY:

- 1) Install the two top rollers to the glass door panel (as per fig 8) Ensure that the white gaskets are in place between the glass and the roller assemblies. With great care hang the glass door by the roller assemblies. Ensure that the glass door is sitting correctly in the bottom guide.
- 2) Note that the black inner washer is concentric and turning of this will provide adjustment of the door. Level the Door as necessary. Carefully check the operation of the door. Install the two Door retainers to prevent the glass door coming off the top rail. Install the end seal and weather seal. Position and fix the two door stops to limit the travel of the sliding door in both directions. Fit the handle (as per fig 9) Install the bottom trim (as per fig 10)
- 3) Seal the outside perimeter with a neat bead of the silicone sealer (as per fig 11)

Fig 8

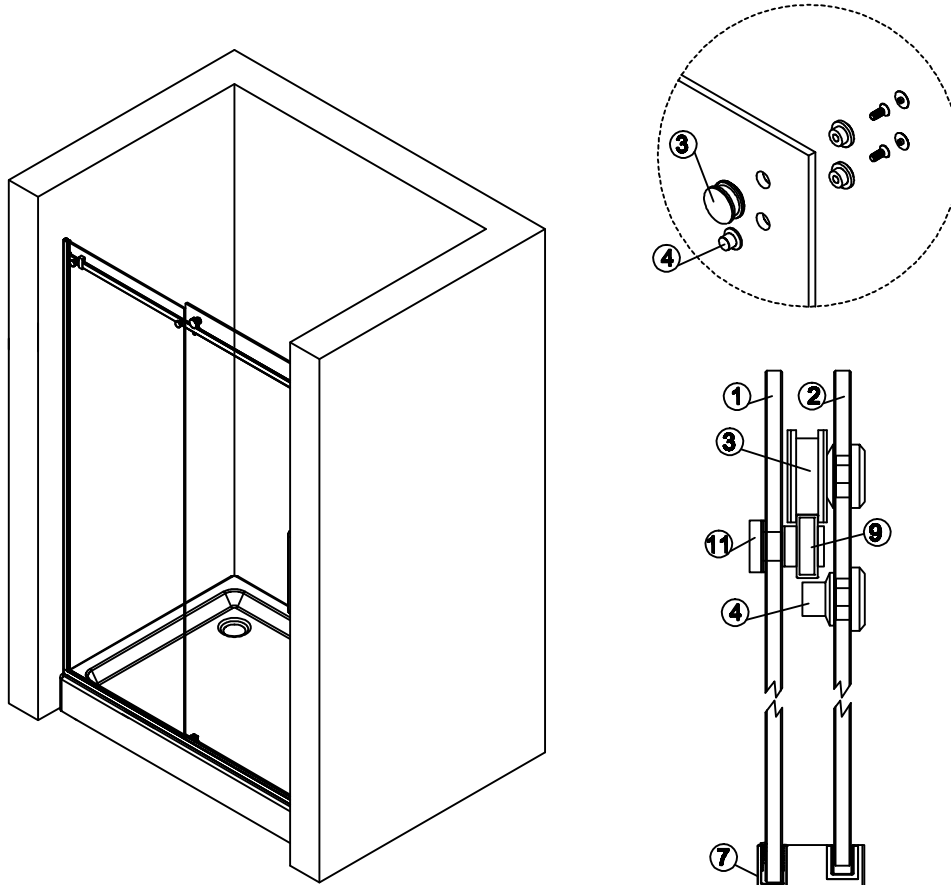
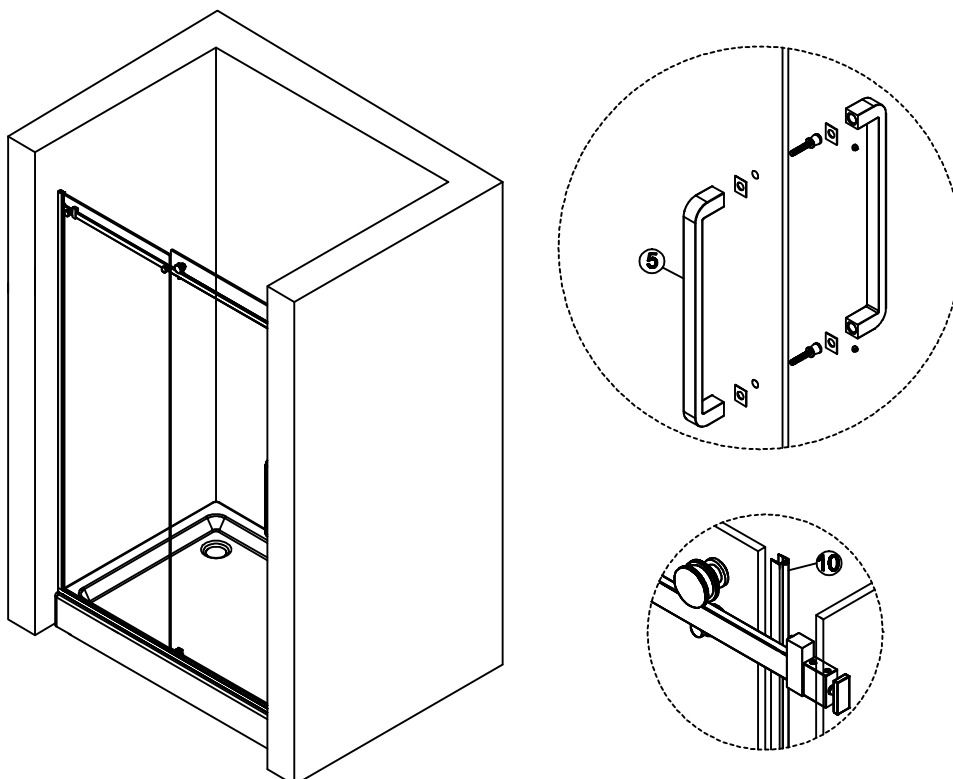


Fig 9



# LA SLIDING DOOR INSTALLATION

Fig 10

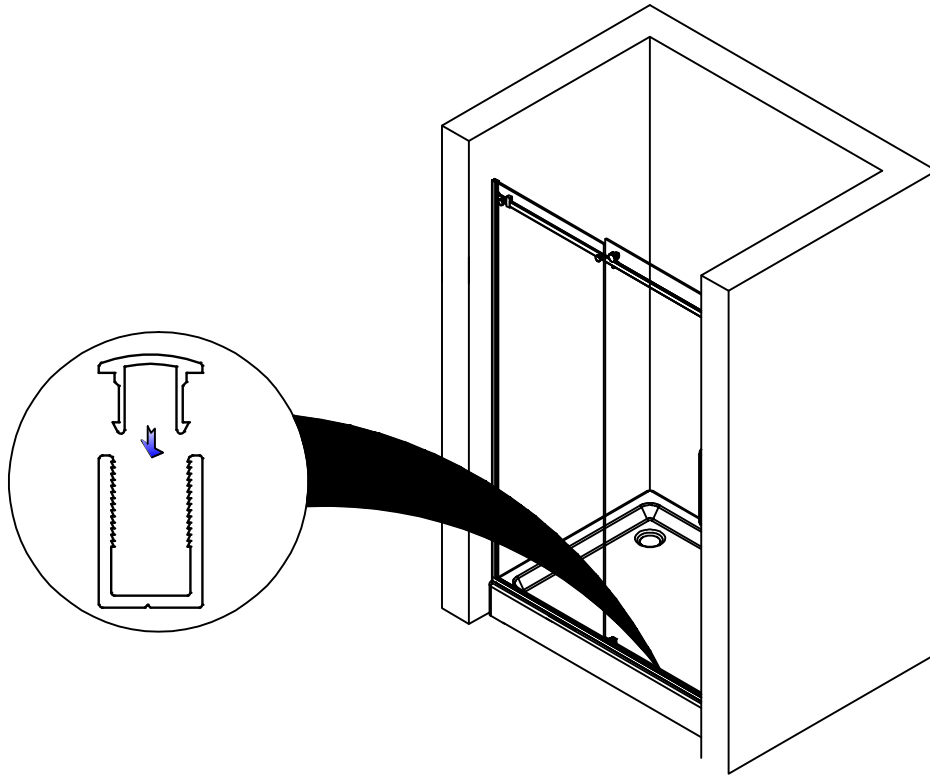


Fig 11

