

ChargePoint® Home Charging Station

Specifications and Ordering Information

Ordering Information

Specify model number followed by the applicable code(s).

| Description | Order Code |
|---------------------------------------------|-----------------|
| Model | |
| Hardwire, 16A, 12 RPH,* 3657 mm (12') cord | CPH12-L12 |
| Plug, 16A, 12 RPH, 3657 mm (12') cord | CPH12-L12-P |
| Hardwire, 32A, 25 RPH, 5486.4 mm (18') cord | CPH25-L18 |
| Plug, 32A, 25 RPH, 5486.4 mm (18') cord | CPH25-L18-P |
| Hardwire, 32A, 25 RPH, 7620 mm (25') cord | CPH25-L25 |
| Plug, 32A, 25 RPH, 7620 mm (25') cord | CPH25-L25-P |
| Replacement Cord | |
| 3657 mm (12'), 16A Charging Cord | CPH12CORD-L12-F |
| 5486.4 mm (18'), 32A Charging Cord | CPH25CORD-L18-F |
| 7620 mm (25'), 32A Charging Cord | CPH25CORD-L25-F |

*RPH: estimated, maximum miles of Range Per Hour the station can deliver



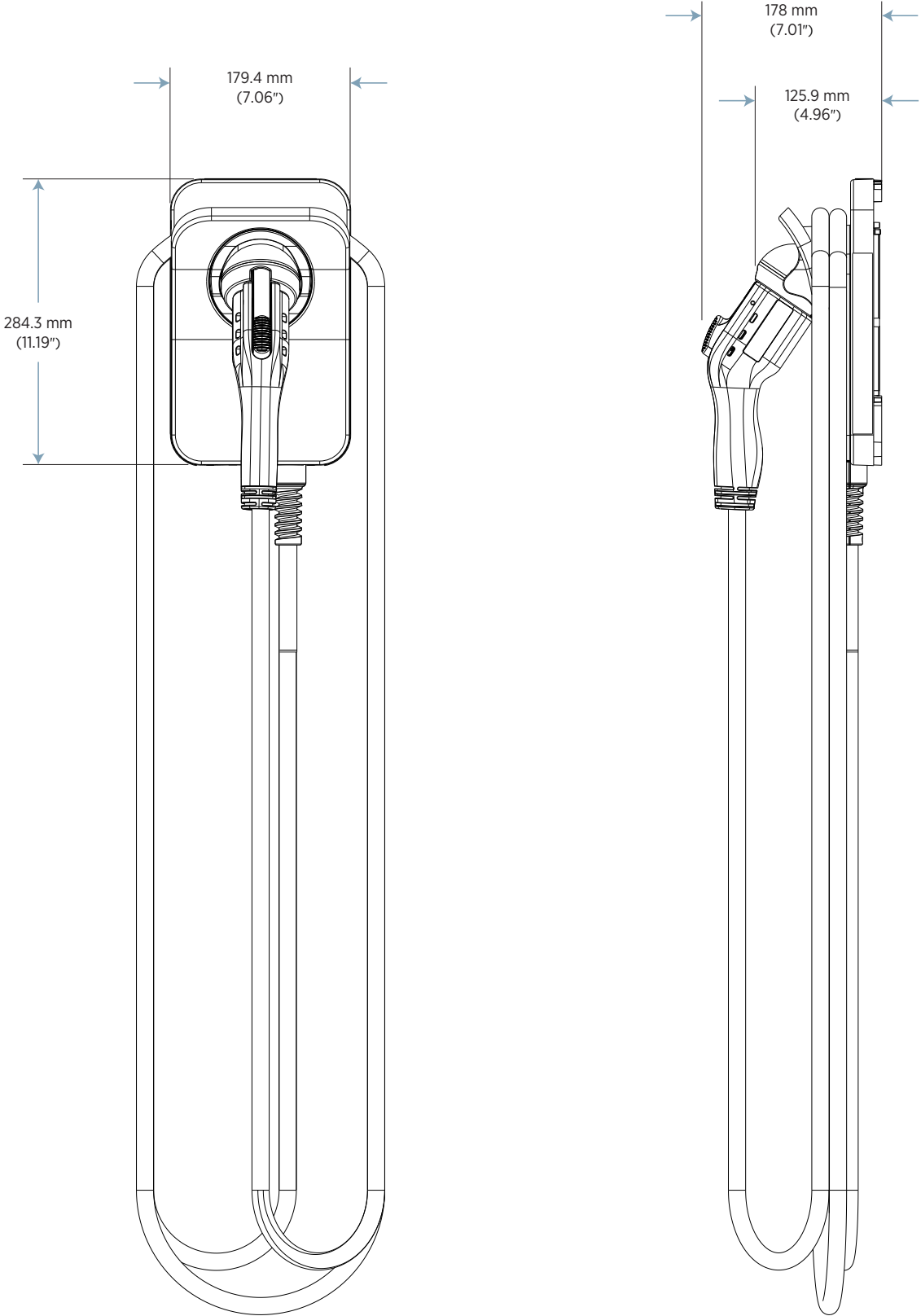
ChargePoint Home



The First
ENERGY STAR®
Certified EV Charger



Dimensions



Specifications

Connector and Electrical

| | |
|-------------------------------------|---------------------------------------------------------------------------|
| Input Cord | NEMA 6-50 (32A station) or NEMA 6-20 (16A station) |
| AC Power Output Rating | 7.7kW (240V AC * 32A) or 3.8kW (240V AC * 16A). |
| AC Power Input Rating | 208/240V AC 60Hz single phase @32A or 16A. |
| Required Service Panel Breaker | Dedicated Dual Pole 40A (32A station) or Dual Pole 20A (16A station) |
| Service Panel GFCI | Do not provide external GFCI as it may conflict with internal GFCI (CCID) |
| Power Wiring | 3 Wire - L1, L2 plus Earth (no neutral) |
| Charging Cord Lengths and Amperages | 7620 mm (25') 32A, 5486.4 mm (18') 32A and 3657 mm (12') 16A |
| Connector Type | SAE J1772™ |
| Power Measurement Accuracy | +/- 2.0% from 2% to full scale (32A) |
| Power Report/Store Interval | 15 minute aligned to hour |

Safety and Connectivity Features

| | |
|------------------------------|-------------------------------------------------------------------------|
| Ground Fault Detection | 20mA CCID with auto retry |
| Open Safety Ground Detection | Continuously monitors presence of safety (green wire) ground connection |
| Plug-Out Detection | Power terminated per SAE J1772 specifications |
| Local Area Network | 2.4/5 GHz Wi-Fi (802.11 a/b/g/n) |

Safety and Operational Ratings

| | |
|------------------------|-------------------------------------------------------------------------------------|
| Enclosure Ratings | Type 3R per UL 50E |
| Safety and Compliance | UL and ULc listed product per UL2594, UL2231-1, UL2231-2. NEC Article 625 compliant |
| EMI Compliance | FCC Part 15 Class B |
| Storage Temperature | -40 to 60°C (-40 to 140°F) ambient |
| Operating Temperature | -30 to 50°C (-22 to 122°F) ambient |
| Operating Humidity | Up to 85% at 50°C (122°F) non-condensing |
| Non-Operating Humidity | Up to 95% at 50°C (122°F) non-condensing |

Indicators

| | |
|------------------------|-----|
| WiFi LED | Yes |
| Fault Indicator per UL | Yes |
| Status LED | Yes |




Installation

| | |
|---------------------|------------|
| Self Install Option | Yes |
| Install Software | Mobile App |

ChargePoint, Inc. reserves the right to alter product offerings and specifications at any time without notice, and is not responsible for typographical or graphical errors that may appear in this document.

Contact Us

To order your ChargePoint Home charging station:

-  Visit chargepoint.com/home/order
-  Call +1.408.705.1992
-  Email sales@chargepoint.com



ChargePoint, Inc.
254 E Hacienda Avenue | Campbell, CA | 95008-6617 USA
+1.408.841.4500 or toll free +1.877.370.3802
chargepoint.com

Copyright © 2017 ChargePoint, Inc. All rights reserved. CHARGEPOINT is a U.S. registered trademark/service mark, and an EU registered logo mark of ChargePoint, Inc. All other products or services mentioned are the trademarks, service marks, registered trademarks or registered service marks of their respective owners. DS-Home-06. December 2017. PN 73-001072-01-7.

Printed on paper made with 100% post-consumer fiber and 100% certified renewable energy, and processed chlorine free.

