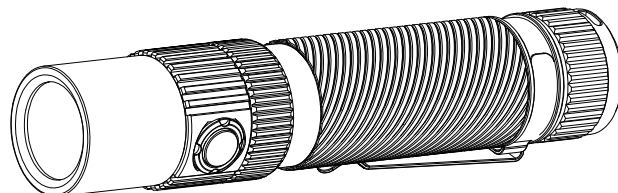


zanflare Manual

F1 Flashlight

Congratulations for purchasing our zanflare flashlight. You have chosen a high quality product designed from the latest technology. For the best use of our products, please read the instruction manual carefully.



Spezifikationen

Mode	Flare	High	Mid	Low	Moonlight
Output	1240lm	590lm	290lm	50lm	1lm
Runtime	30s	2h 30min	6h	22h	550h
Distance	252m				
Beam intensity	16650cd				
Light angle	60°				
Special mode	SOS, Strobe				
Waterproof	IPX-8, 2m				
Impact	1.5m				
LED	Cree XP-L(V6)				
Battery (not included)	CR123A * 2; RCR123 * 2; 18650 * 1				
Dimensions	Length: 136mm Head: 28mm Tail: 26.5mm				
Weight	96g				
Package contents	Quality holster, lanyard, clip, manual, spare O-ring (battery not included)				

Features

- Cree XP-L (V6) LED with a lifespan of 50,000 hours.
- Maximum output of 1240 lumens.
- High efficiency circuit board provides up to 550 hours runtime on moonlight, delivers constant current to the LED regardless.
- Boasts a peak beam intensity of 16650cd; throw distance up to 252 meters; light angle reached 60°.
- 'Crystal Coating Technology' combined with 'Precision Digital Optics Technology' provide extreme reflector performance.
- Toughened ultra-clear mineral glass with anti-reflective coating.

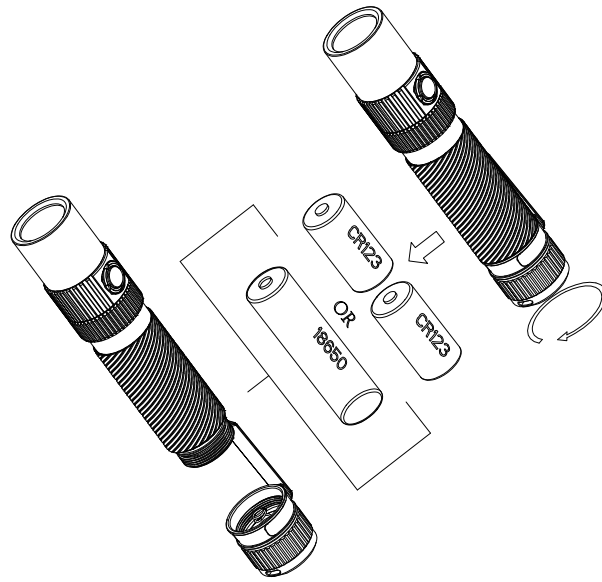
- Made of light weight, high strength aero grade aluminum, alloy with HAIII military grade hard-anodized finish.
- High-efficiency regulation circuit provides unwavering output.
- Reverse polarity protection guards against improper battery installation.
- Low-voltage warning functions remind you to replace the battery. When the voltage was under 2.6V, the LED would blink 3 times and then turn off.
- Intelligent memory function.
- Mode switch interface provides one-handed operation and easily access to all functions.
- Machined from a solid aluminum bar give F1 its superior shock and impact resistance.
- All metal outer appearance and metal nut provide IPX-8 highest grade waterproof and weather two meters submersible adventure.
- Micro USB charging port and indicator; fully charging time is 4 hours.
- Stainless steel titanium-plated clip include.
- Tail stand capability, anti-roll, slip-resistant body design.
- Tail safety hammer.
- Tail on/off switch.

Battery specifications

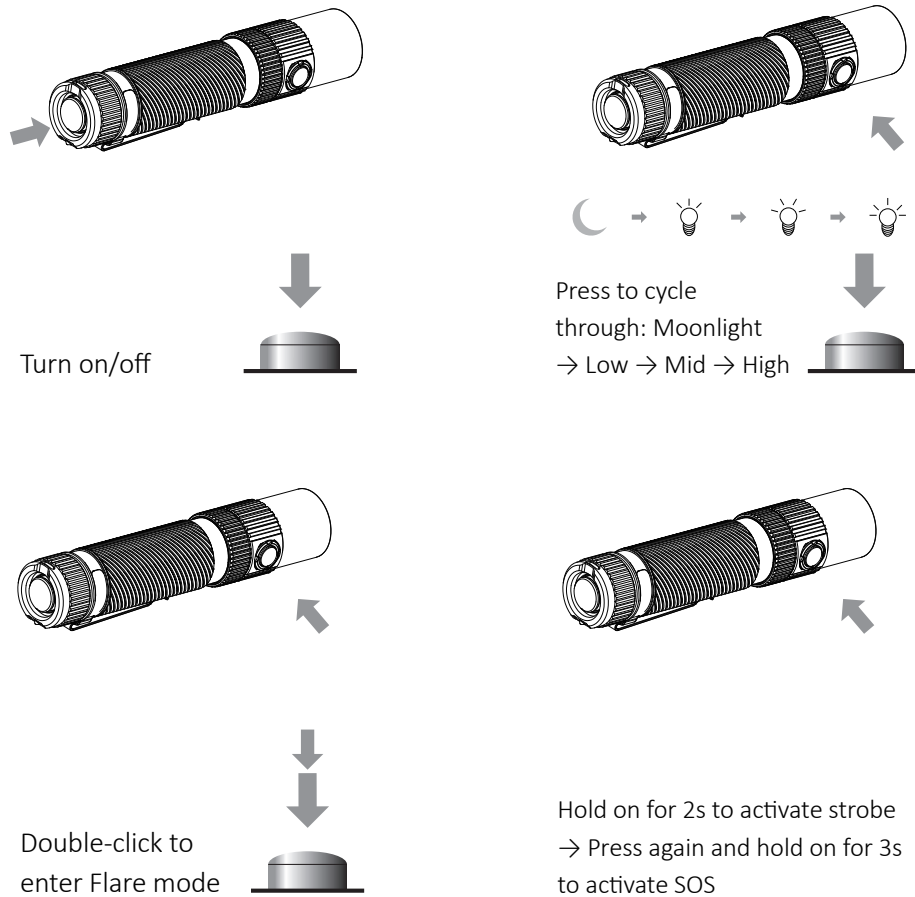
Type	Dimensions	Nominal voltage	Recommended
Rechargeable battery(Li-ion)	18650*1	3.7V	√
Rechargeable battery(Li-ion)	RCR123*2	3V	√
Non-rechargeable battery(Lithium)	CR123A*2	3.7V	

Battery installation

- Insert one 18650 battery or two CR123 batteries with the positive pole pointing forward the light head.
- Unscrew the tail switch cap and inset.
- Ensure batteries are inserted with the positive (+) end pointing to the head. The F1 will not operate with incorrectly inserted batteries.
- Batteries are not included.
- PLZ note: If the tail cap is not tightened snugly, the flashlight will not turn on.



General operation



- Press the tail switch to turn the light on; press again to turn the light off.
- With the light turned on, press the mode switch in quick succession to cycle through the following brightness levels: Moonlight → Low → Mid → High
- Double click the mode switch to enter into Flare mode.
- With the light turned on, press and hold the mode switch for 2s to activate Strobe mode. Press again to cycle through SOS or Strobe mode.

- Hold the mode switch again for 2s to exit SOS or Strobe mode.
- F1 automatically memorizes the last brightness level used after turning on.
- Plz note: In order to prevent overheating, F1 automatically access a lower brightness mode.

Power tips

- The indicator turned red: in charging
- The indicator turned green: finished charging
- The LED blink: remind you of changing the battery or recharging
- When the voltage was under 2.8V, the LED would blink once per minute.
- When the voltage was under 2.6V, the LED would blink 3 times and then turn off.
- Plz note: Twist the protective ring around the USB and indicator, in order to prevent water or dust.

Maintenance

- Do not disassemble the sealed head. Doing so can cause damage to the flashlight and will void the warranty.
- Use high-quality batteries or you run the risk of the flashlight being damaged by electrolyte leakage or battery breakage.
- If the flashlight will not be used for a long time, remove the batteries to avoid damage caused from battery leakage.
- Every 6 months, threads should be wiped with a clean cloth followed by a thin coating of silicon-based lubricant.

Garantie

- 3 Days DOA warranty: If the product you purchased becomes defective within 3 days of receipt, we will replace the item free of charge.
- 30 Days free return: Any item can be returned to get refund within 30 days of receipt in new condition if you don't like it.
- 3 years free repair/replacement: Any lighting product sold by zanflare direct at Amazon Stores which is found to be defective under normal use and service within 3 years and more than 30 days counting from the date of purchasing with proof of purchase can be replaced with new ones freely.
- Lifetime limited warranty: For items purchased after 3 years, we will still provide warranty service, but the cost of labor costs and maintenance with the exclusion of accessories or replacement parts will be paid by the customers.
- For the latest information on zanflare® products and services, please go to: www.zanflare.com