



Amflow®

A & H Enterprises, Inc.

11812 NE 116th Street
Kirkland, WA 98034 USA

TEL: +425.883.4040
FAX: +425.823.1962

www.amflow.com

EMAIL: ah@amflow.com

TECHNICAL DATA SHEET

AMFLOW® **UHP FILTER/STRAINER**



STRAINER VERSION



FILTER VERSION



UHP FILTER/STRAINER
Shown with Mounting
Bracket
Bracket sold separately

Part Number: 00002206-0501

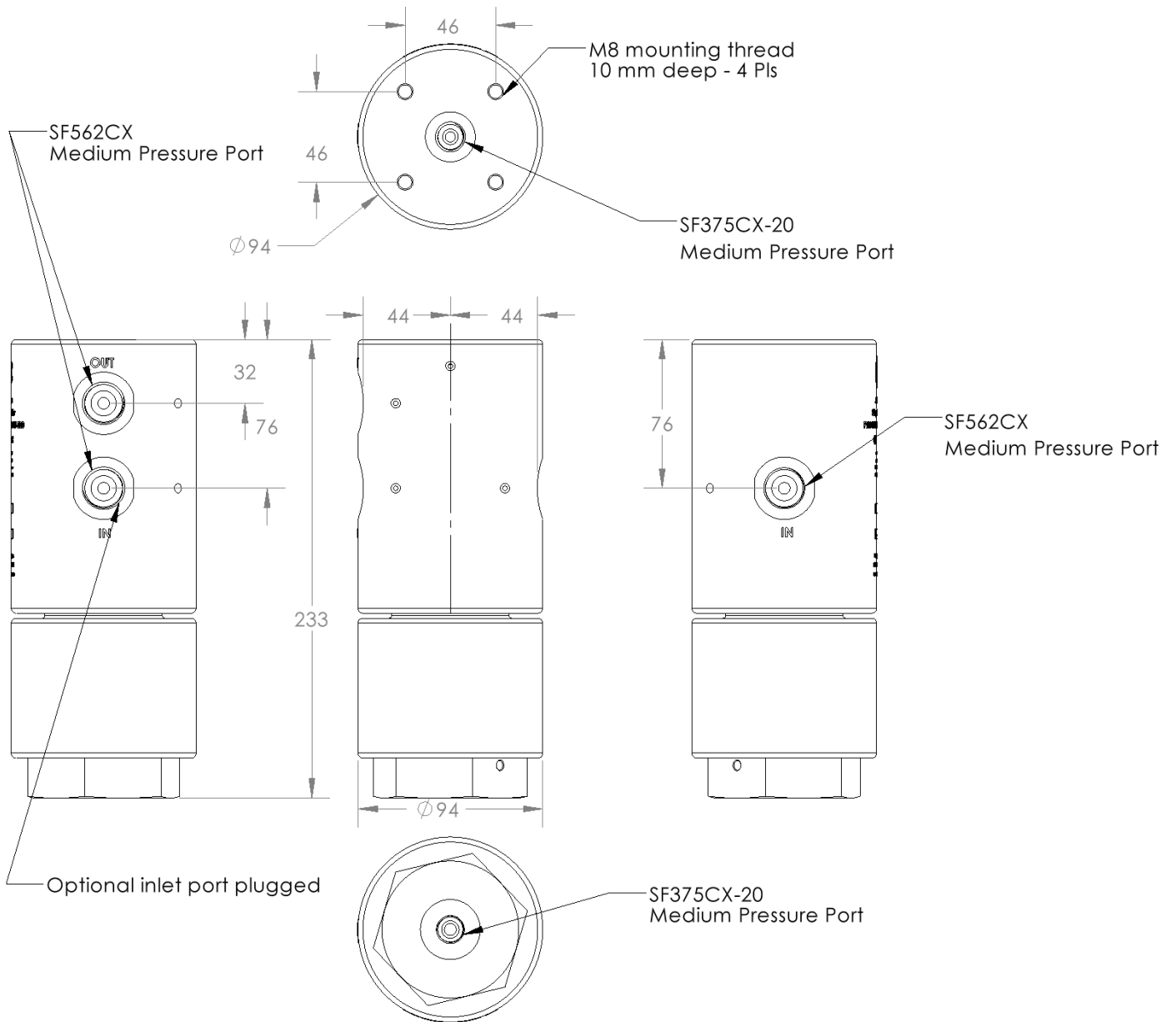
(*Reference Ordering Guide on page 5 for part number options)

Standards:

Raw material test reports, post processes & chemical processes, will be maintained on file with **Amflow®** for a period of not less than TEN years.

ATEX DIRECTIVE 2014/34/EU
CE 0891 Ex II 2G Ex h T6
PED 2014/68 EU SEP CATEGORY II MODULES A, D1 & E1

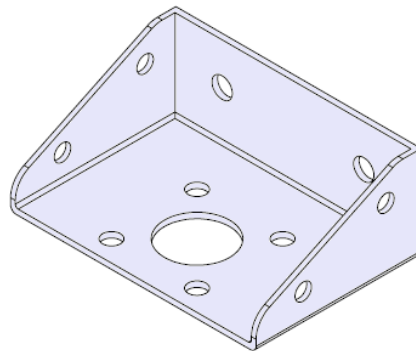
Amflow® reserves the right to amend and change specifications without prior notice





DESIGN FEATURES:

- Filter Housing Construction: 316/316L Stainless Steel
- Filter Housing Volume: 0.15 liters (5.07 oz)
- Maximum Working Pressure: 920 bar (13,340 PSI) with Standard SF562-CX Medium Pressure Ports
- Maximum Working Pressure: 690 bar (10,000 PSI) with Optional 1/2" FNPT Ports
- Ambient Operating Temperature: -15°C (5°F) to 232°C (450°F)
- Standard Inlet & Outlet Ports: SF562CX Medium Pressure
- Standard Drain & Vent Ports: SF375CX-20 Medium Pressure
- Optional Ports: 1/2" FNPT
- Weight: 11.34 kg (25 lbs.)
- Reusable Elements
- Provision for Backflushing
- Ease of Operation
- Variety of Micron Element Sizes



UHP FILTER/STRAINER MOUNTING BRACKET– Sold Separately

**MOUNTING BRACKET
PART # 00001789-0301-000**



TECHNICAL SPECIFICATIONS

1. FLOW RATES		
1.01 Flow Rate Maximum	2,500 LPH	
1.02 Operating Pressure – SF562-CX Medium Pressure Ports	920 bar (13,340 PSI)	
1.03 Operating Pressure – 1/2" FNPT Ports	690 bar (10,000 PSI)	
1.04 Hydrostatic Pressure Test – SF562-CX Medium Pressure Ports	1,380 bar (20,010 PSI)	
1.05 Hydrostatic Pressure Test – 1/2" FNPT	1,034 bar (15,000 PSI)	
2. AMBIENT OPERATING TEMPERATURE	Minimum	Maximum
2.01	-15°C (5°F)	232°C (450°F)
3. NOISE	Decibels	
3.01	Less than 70 dB	
4. PORT CONFIGURATION – 920 bar	STANDARD INLET & OUTLET PORTS	DRAIN & VENT PORTS
4.01	SF562CX for use with 9/16" tubing	SF375CX-20 for use with 3/8" tubing
5. OPTIONAL PORT CONFIGURATION – 690 bar	OPTIONAL INLET & OUTLET PORTS	DRAIN & VENT PORT
5.01	1/2" FNPT	1/2" FNPT
6. FILTER HOUSING VOLUME		
6.01	0.15 liters	5.07 oz
7. CONSTRUCTION MATERIALS	Standard Material	Special Order
7.01 External Parts	316/316L	Duplex 2205, Super Duplex 2507 & Titanium (6AL-4V)
7.02 Wetted Seals	FFKM	Contact Amflow ®
7.03 Filter Element	316 SS Pleated Fiber Felt	Contact Amflow ®
8. DIMENSIONS	Metric	Imperial
8.01 Height (overall)	233 mm	9.17 in
8.02 Diameter	94 mm	3.70 in
9. WEIGHT	Metric	Imperial
9.01	11.34 kg	25 lbs.
10. PANEL MOUNT REQUIREMENTS		
10.01 Mounting Hole Diameter	4 ea @ M 8 x 1.25	



(Elements may be purchased separately):

1. FILTER ELEMENT	Outside to Inside	Inside to Outside
1.01 Maximum Differential Pressure	35 bar (507 PSI)	10 bar (145 PSI)
2. FILTRATION AREA	Metric	Imperial
2.01 Filter Element – Pleated Only	369 cm ²	57 in ²
3. DIMENSIONS	Metric	Imperial
3.01 Height (overall)	165 mm	6.49 in.
3.02 Diameter	32 mm	1.260 in.
4. CONSTRUCTION MATERIALS	Standard	
4.01 Filter Element	Pleated 316 SS Sintered Metal Fiber Felt	
5. CLEANLINESS CODES		
ISO 4406	Class 18/16/13	
NAS 1638	Class 7	
SAE AS4059E	Class 7	
6. FILTER ELEMENT SIZES	Standard Sizes	Optional Sizes
6.01 Available Sizes	5, 10, 20, 50, 100 & 300 Micron	Contact Amflow®

Filter Elements

Standard Pleated Filter Elements

Order #:	Filter Size:
00002098-0501-001	5 Micron – 316 SS
00002098-0501-002	10 Micron – 316 SS
00002098-0501-003	20 Micron – 316 SS
00002098-0501-005	50 Micron – 316 SS
00002098-0501-007	100 Micron – 316 SS
00002098-0501-009	300 Micron – 316 SS

Special Order Pleated Filter Elements

Order #:	Filter Size:
00002098-0501-000	2.5 Micron – 316 SS
00002098-0501-003	20 Micron – 316 SS
00002098-0501-004	30 Micron – 316 SS
00002098-0501-006	75 Micron – 316 SS
00002098-0501-010	150 Micron – 316 SS
00002098-0501-008	200 Micron – 316 SS



ORDERING GUIDE

PRODUCT NO.	PRODUCT TYPE	PRODUCT CODE NO.	EXTERNAL PARTS MATERIAL	MATERIAL CODE NO.	WETTED SEALS	SEALS CODE NO.	FILTER ELEMENTS	CODE NO.	ELEMENT FUNCTION TYPE	ELEMENT FUNCTION CODE NO.	INLET OUTLET PORTS	INLET OUTLET PORTS CODE	DRAIN VENT PORT	DRAIN VENT PORT CODE
00002206	FILTER STRAINER	-0501	316/316L	-001	FFKM	-02	5 MICRON	-001	TO BE USED AS A FILTER	-00	SF562CX	-07	SF375CX-20	-06
			TITANIUM (6AL-4V)	-002			10 MICRON	-002						
			DUPLEX 2205	-003			TO BE USED AS A STRAINER	-01	1/2" FNPT	-03	1/2" FNPT	-03		
			SUPER DUPLEX 2507	-004									50 MICRON	-005

00002206	-0501	-001	-02	-005	-00	-07	-06
-----------------	--------------	-------------	------------	-------------	------------	------------	------------

EXAMPLE

TO ORDER:

UHP Filter/Strainer to be used as filter.
MOC: 316/316L
Wetted Seals: FFKM
Inlet, Outlet & Drain Ports: SF562CX
Vent Port: SF375CX-20

YOU WOULD ORDER #:

00002206 – 0501 – 001 – 02 - 005 - 00 - 07 - 06



REPRESENTATIVES



Amflow® A&H Enterprises Inc.
World Headquarters

11812 NE 116th St.
Kirkland Washington U.S.A.
98034

Tel: +1.425.883.4040
Fax: +1.425.823.1962
E-Mail: ah@amflow.com



Amflow Norge As
Representing:

Norway, Denmark, Germany, Italy, Sweden, Middle East, United Kingdom & The Netherlands

Prinsens Vei 12
4315 Sandnes
Norway

Tel: +47.922.19.656
Fax: +47.520.00.591



Amflow Controls Asia SDN. BHD.

Representing:
Malaysia, India, Indonesia, Singapore, Thailand & Vietnam

No. 9 Jalan 11/12 46200 Petaling Jaya
Selangor, Malaysia

Tel: +60.12.3323.118
E-Mail: amflowcontrols@gmail.com



Sudiflow Integrated Services, LTD.

Representing:
Nigeria, Angola, Benin, Cameroon, Equatorial Guinea, Gabon, Ghana & Togo

25 Eelenwo Road
Port Harcourt
Nigeria

Tel: +234.803.309.1405
E-Mail: sudiflow@yahoo.com

