



Amflow®

A & H Enterprises, Inc.

11812 NE 116th Street
Kirkland, WA 98034 USA

TEL: +425.883.4040
FAX: +425.823.1962

www.amflow.com

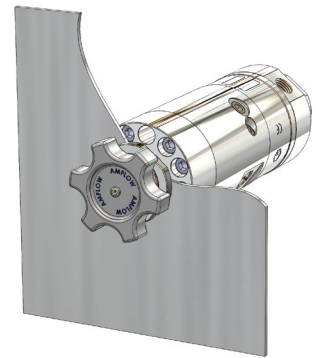
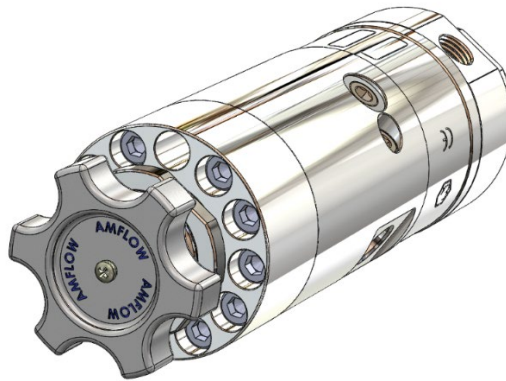
EMAIL: ah@amflow.com

TECHNICAL DATA SHEET

AMFLOW® AM7B-RJ FLOW CONTROL VALVE

With External Removable Jet Assembly

Direct Replacement for AM7B Flow Control Valves



Part Number: 00000159-05RJ

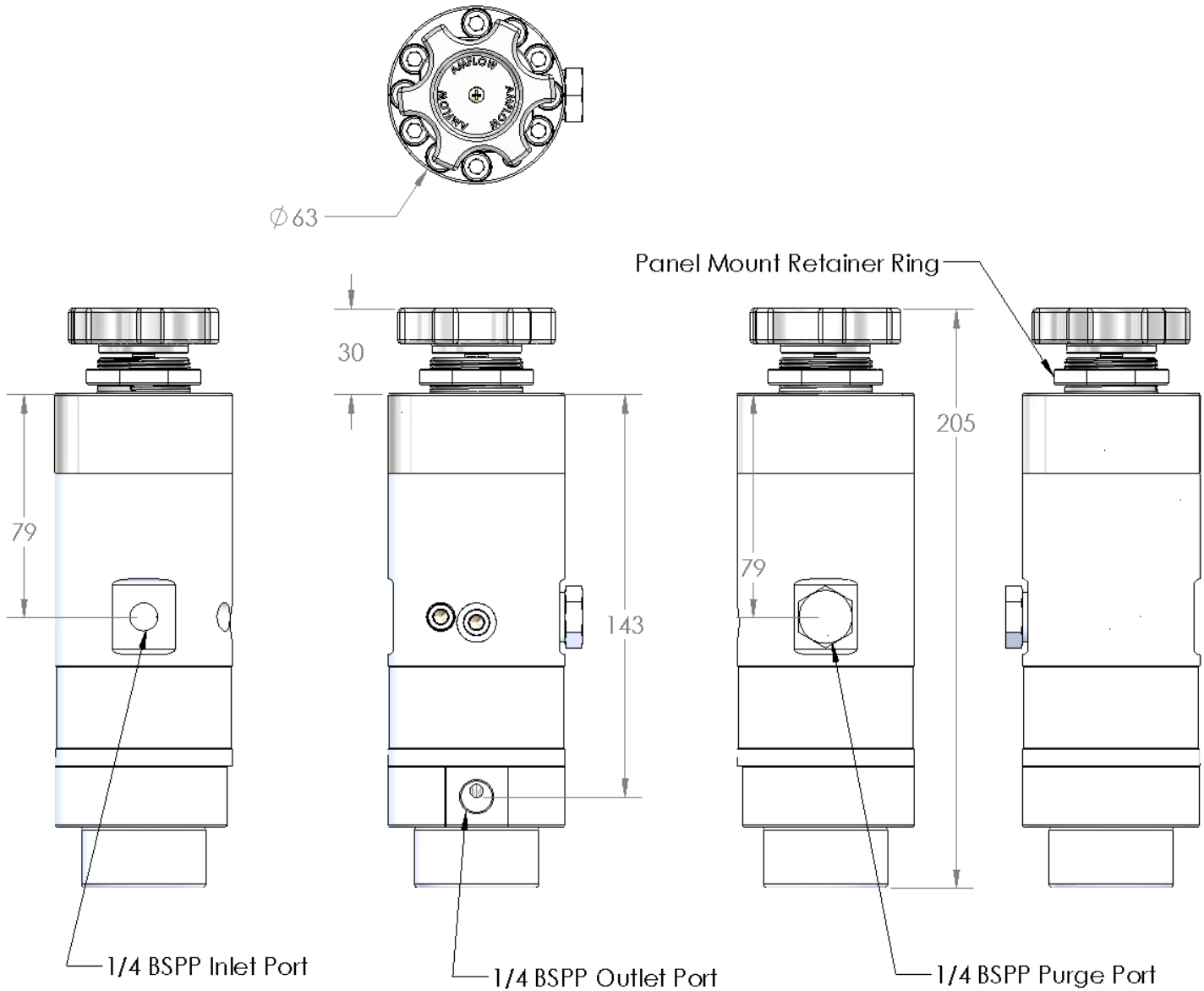
(*Reference Ordering Guide on page 7 for part number options)

Standards & Patents:

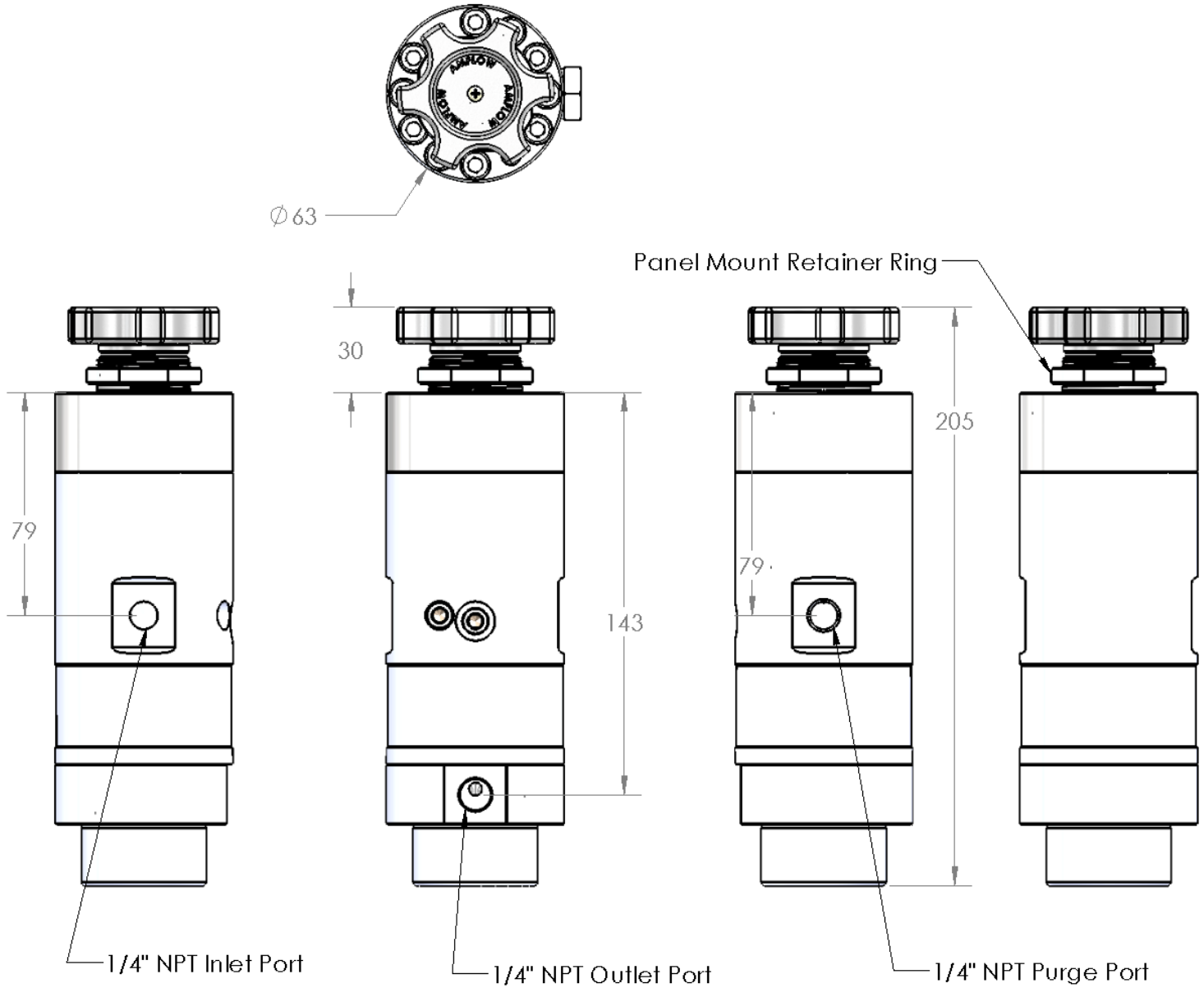
Raw material test reports, post processes & chemical processes, will be maintained on file with **Amflow®** for a period of not less than TEN years.

ATEX DIRECTIVE 2014/34/EU	
CE 0891 Ex II 2G Ex h T6	
PED 2014/68 EU	SEP CATEGORY II MODULES A, D1 & E1
US PATENTS 5427139 * 5494070 * 6189564 B1	EU PATENT 1110132

Amflow® reserves the right to amend or change specifications without prior notice.



STANDARD 1/4" FBSP PORTS LOCATION & CONFIGURATION



OPTIONAL 1/4" FNPT PORTS LOCATION & CONFIGURATION



DESIGN FEATURES:

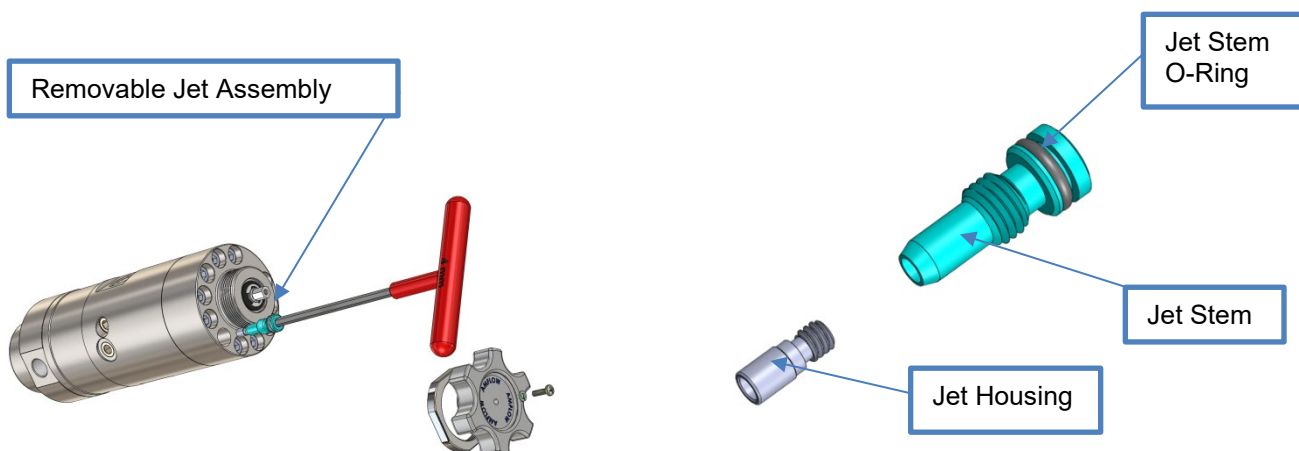
- Pressure independent on the downstream side
- Pressure Vessel Materials of Construction: Standard is 316/316L Stainless Steel & Titanium (6AL-6V-2Sn)
- External Materials of Construction: Standard is 316/316L Stainless Steel & Titanium (6AL-6V-2Sn)
- Wetted Materials of Construction: 316/316L & Titanium (6AL-4V & 6AL-6V-2Sn)
- Operating Pressure: 20 bar (300 psi) to 690 bar (10,000 psi)
- **Inlet pressure must be stable (+/- 3%) for proper valve operation.**
- Pressure drop across the AM7B-RJ valve is 7 bar (100 psi)
- Operating Temperature: -15°C (5°F) to 232°C (450°F)
- Standard Inlet & Outlet Ports: 1/4" FBSPP or FNPT
- Purge Port: 1/4" FBSPP or FNPT
- Turndown Ratio: Up To 40:1
- Weight: 3.9 Kg (8.6 lbs.)
- Ceramic & Titanium pins & seats for wear resistance
- Standard Seals are FFKM (Perfluorolastomer) & PTFE seals for high chemical resistance.
- Low maintenance
- Very low torque is required for flow rate adjustment. Easy hand operation of flow adjustment knob.

Purge Port:

Incorporated into the **Amflow**® AM7B-RJ Flow Control Valve is a purge port that allows the user to direct a high flow stream of chemical across the fixed orifice in order to flush any chemical residue that might accumulate over time. This feature reduces the necessity of opening the valve and cleaning the jet manually. The Purge port is located 180 degrees from the Inlet Port.

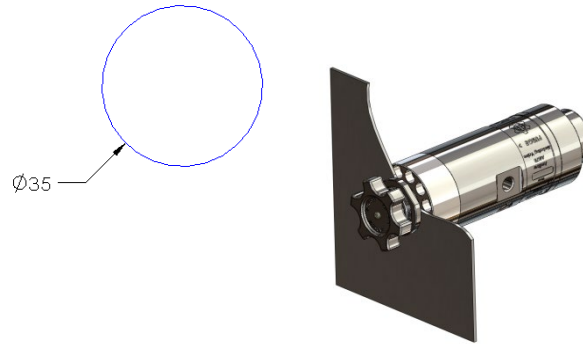
Removable Jet:

Incorporated into the **Amflow**® AM7B-RJ Flow Control Valve is a removable jet. This jet allows for easy cleaning and service. It also allows for a lower cost option when reconfiguring the valve for a lower or higher flow rates. The jet can be removed for service without disassembling the valve.





Panel Mount Dimensions



ATEX/IECEX 24 VDC Electronic Actuator Options



AM7B-RJ
Shown with
Amflow® A6 ATEX Actuator
(with local manual flow control)

AM7B-RJ Flow control valves can be controlled remotely using the **Amflow® A6** Electronic Actuators. The A6 Actuator offers local manual flow control as well.



1. FLOW RATES			
1.01 Flow rate range *	MINIMUM:	0.09 LPH **	MAXIMUM: 150 LPH
1.02 Operating pressure range ***	MINIMUM:	20 bar (300 PSI)	MAXIMUM: 690 bar (10,000 PSI)
1.03 Hydrostatic pressure test		1,034 bar (15,000 PSI)	
1.04 Pressure drop ΔP across the valve		7 bar (100 PSI)	
1.05 Ambient operating temperature	MINIMUM:	-15°C (5°F)	MAXIMUM: 232°C (450°F)
2. TURNDOWN RATIO ****		Up to 40:1	
3. ACCURACY & REPEATABILITY		± 3%	
4. PORT CONFIGURATION			
	Standard Inlet/Outlet Ports		Standard Purge Port
4.01 Positioned as shown on GA drawing	1/4" FBSPP or FNPT		1/4" FBSPP or FNPT
4.02 Optional Ports - Special order	Contact Amflow®		Contact Amflow®
5. CONSTRUCTION MATERIALS			
	Standard Materials		Special Order Materials
5.01 Pressure vessel & external parts	316/316L & Titanium (6AL-6V-2Sn)		Duplex 2205, Super Duplex 2507 & Titanium
5.02 Pressure vessel external bolts (SHCS)	A4		N/A
5.03 Internal wetted parts	316/316L & Titanium (6AL-6V-2Sn)		Contact Amflow®
5.04 Wetted seals	FFKM, PTFE		Contact Amflow®
5.05 Non-Wetted seals	Viton		Contact Amflow®
6. NOISE			
	Decibels		
6.01	Less than 70 dB		
7. DIMENSIONS			
	Metric		Imperial
7.01 Height (overall)	202 mm		8.0 in.
7.02 Diameter	63 mm		2.5 in.
8. WEIGHT			
	Metric		Imperial
8.01	3.9 kg		8.6 lbs.
9. PANEL MOUNT REQUIREMENTS			
	Metric		Imperial
9.01 Maximum panel thickness	7 mm		0.28 in.
9.02 Mounting hole diameter	35 mm		1.38 in.

NOTES:

FLOW RATE:

- * Depends on characteristics of media.
- ** Minimum flow rates below 0.09 down to 0.05 LPH are available as a special order.
- *** Operating Pressure: Minimum & Maximum recommended inlet pressure supplied by pump to valve. Inlet pressure must be stable (+/- 3%) for proper valve operation.

TURNDOWN RATIO:

**** Turndown ratio can vary dependent upon chemical composition, flow rate, and Δp.

FILTRATION:

Filtration upstream of the AM7B-RJ Flow Control Valve is recommended using **Amflow®** Simplex filter products.



ORDERING GUIDE

PRODUCT NO.	PRODUCT TYPE	CODE NO.	EXTERNAL PARTS MATERIAL	MATERIAL CODE NO.	WETTED SEALS	SEALS CODE NO.	FLOW RATE H ₂ O	FLOW CODE NO.	PORT TYPE	PORT CODE NO.		
00000159	FLOW CONTROL VALVE	-05RJ	316L	-001	BASED ON CHEMICAL MSDS	-02	0.09 up to 4.50 LPH	-001	1/4" FBSPP	-00		
			TITANIUM GRADE 5 6AL-4V	-002			0.35 up to 14.00 LPH	-002				
			DUPLEX 2205	-003			0.60 up to 24.00 LPH	-003	1/4" FNPT	-01		
			SUPER DUPLEX 2507	-004	STANDARD WETTED SEALS ARE FFKM & PTFE		1.00 up to 35.00 LPH	-004			FLANGES	-FL
							2.00 up to 66.00 LPH	-005				
							3.00 up to 100.00 LPH	-006				
							5.00 up to 150.00 LPH	-007				

00000159	-05RJ	-001	-02	-005	-00
-----------------	--------------	-------------	------------	-------------	------------

EXAMPLE

TO ORDER:
AM7B-RJ Flow Control Valve in 316L with FFKM Seals, 40 LPH Flow Rate, and FBSPP Ports

YOU WOULD ORDER #:
00000159 – 05RJ – 001 – 02 – 005 – 00

ORDERING INFORMATION

As the AM7B-RJ Flow Control valve is custom built specifically to meet the end user's criteria, it is critical that **Amflow®** receive certain information when ordering valves. That information should include, the minimum & maximum Flow rates, inlet pressures, temperatures & chemical MSDS or at a minimum the Specific gravity & viscosity of the chemical to be used with the valves.



Amflow® A&H Enterprises Inc.
World Headquarters

11812 NE 116th St.
Kirkland Washington U.S.A.
98034

Tel: +1.425.883.4040
Fax: +1.425.823.1962
E-Mail: ah@amflow.com

Amflow Norge As
Representing:

Norway, Denmark, Germany, Italy, Sweden, Middle East, United Kingdom & The Netherlands

Prinsens Vei 12
4315 Sandnes
Norway

Tel: +47.922.19.656
Fax: +47.520.00.591

Amflow Controls Asia SDN. BHD.

Representing:
Malaysia, India, Indonesia, Singapore, Thailand & Vietnam

No. 9 Jalan 11/12 46200 Petaling Jaya
Selangor, Malaysia

Tel: +60.12.3323.118
E-Mail: amflowcontrols@gmail.com

Sudiflow Integrated Services, LTD.

Representing:
Nigeria, Angola, Benin, Cameroon, Equatorial Guinea, Gabon, Ghana & Togo

25 Elemenwo Road
Port Harcourt
Nigeria

Tel: +234.803.309.1405
E-Mail: sudiflow@yahoo.com

