



**Amflow®**

**A & H Enterprises, Inc.**

11812 NE 116th Street  
Kirkland, WA 98034 USA

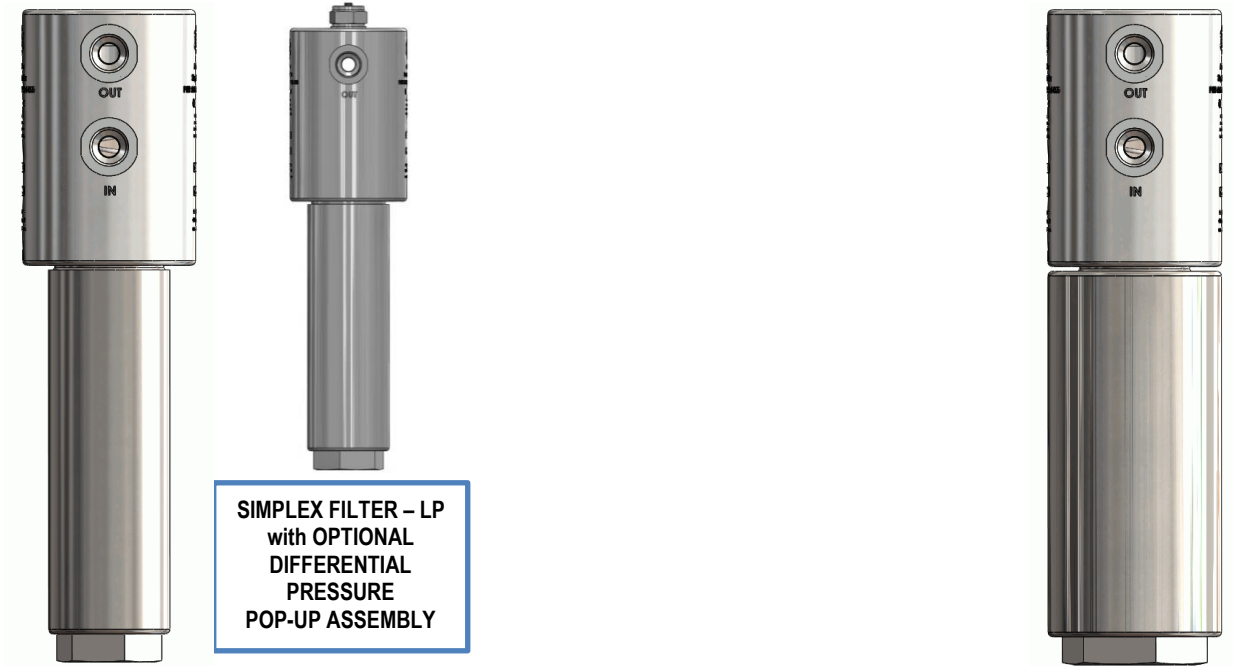
TEL: +425.883.4040  
FAX: +425.823.1962

www.amflow.com

EMAIL: ah@amflow.com

## TECHNICAL DATA SHEET

### **AMFLOW®** **SIMPLEX FILTERS**



SIMPLEX FILTER – LP  
with OPTIONAL  
DIFFERENTIAL  
PRESSURE  
POP-UP ASSEMBLY

**SIMPLEX FILTER - LP**

**SIMPLEX FILTER – HP**

**Part Number: 1080-0501**

(\*Reference Ordering Guide on page 9 for part number options)

#### **Standards:**

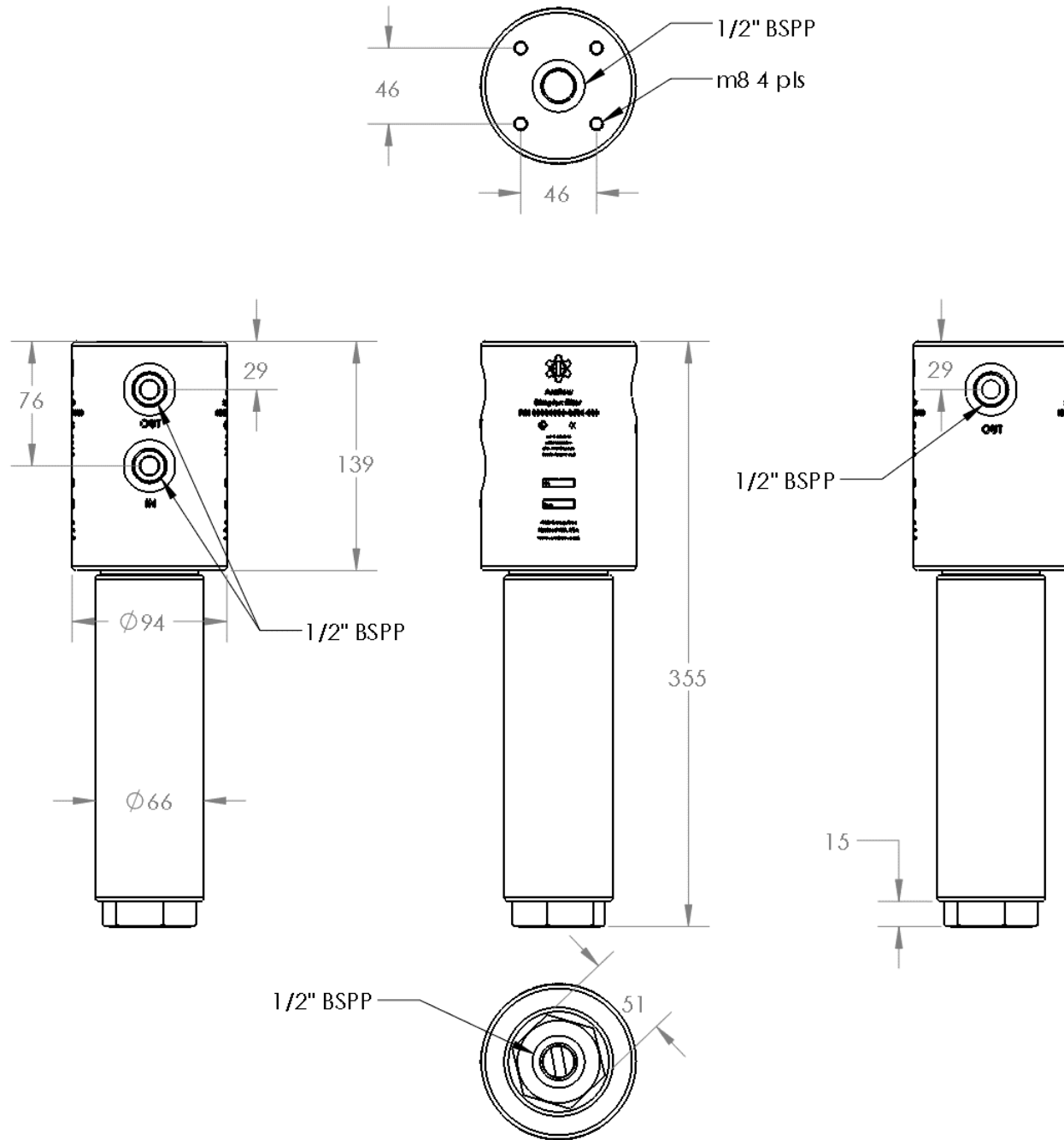
Material traceability certificates, post processes, and As-Built documents shall be maintained on file with **Amflow®** for a period of not less than TEN years.

<b>ATEX DIRECTIVE 2014/34/EU</b>	
<b>CE 0891 Ex II 2G Ex h T6</b>	
<b>PED 2014/68 EU</b>	<b>SEP CATEGORY II MODULES A, D1 &amp; E1</b>

**Amflow®** reserves the right to amend or change specifications without prior notice.



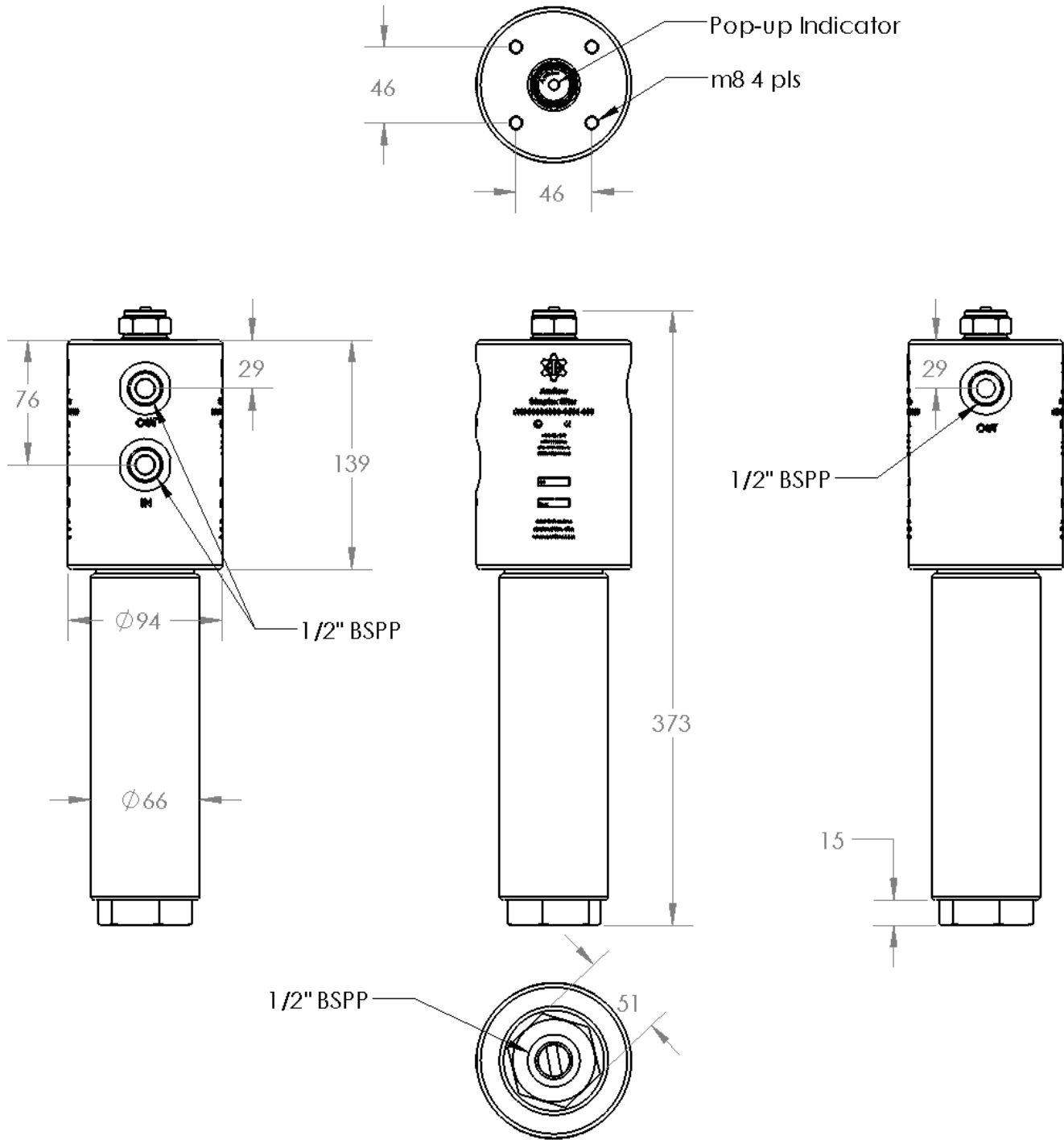
GA DRAWING: Simplex Filter-LP



STANDARD 1/2" FBSPP & 1/2" FNPT PORT LOCATION & CONFIGURATION

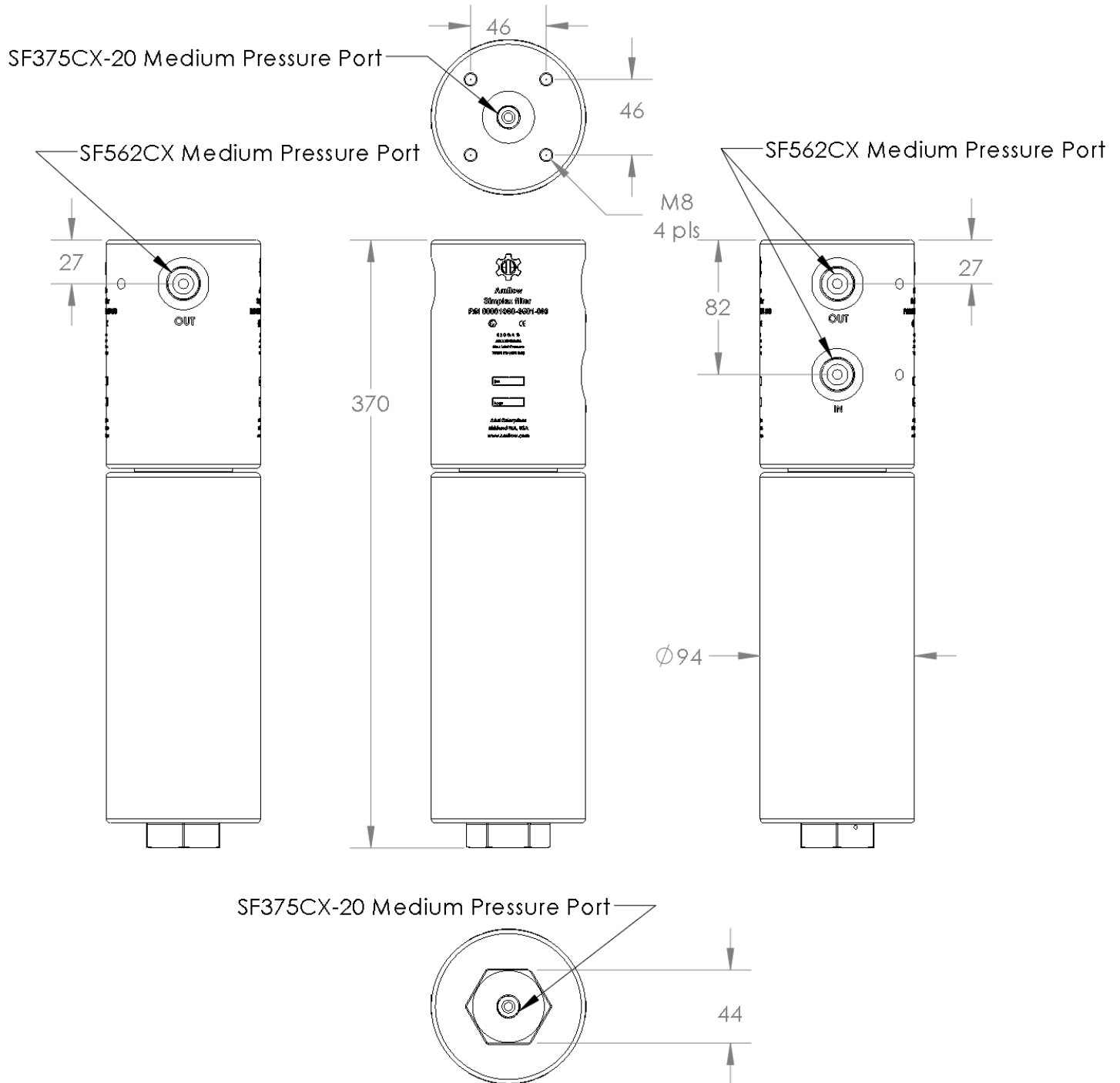


GA DRAWING: Simplex Filter-LP with Differential Pressure Pop-Up





GA DRAWING: Simplex Filter-HP





**1. FLOW RATES**

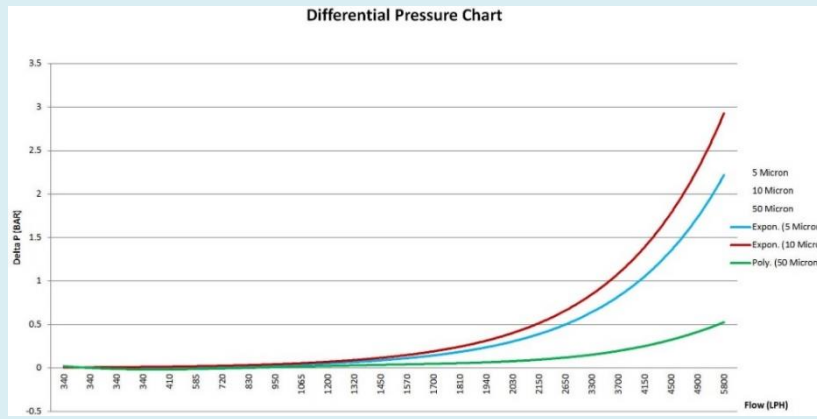
1.01 Flow: Ref. chart below

1.02 Maximum operating pressure: 316/316L 414 bar (6,000 PSI)

1.03 Hydrostatic pressure test: 316/316L 620 bar (9,000 PSI)

	Minimum	Maximum
1.05 Ambient operating temperature	-15°C (5°F)	232°C (450°F)

**SIMPLEX FILTER - LP**  
Calculated ΔP for the standard filter elements using H<sub>2</sub>O.



2. NOISE	Decibels
2.01	Less than 70 dB

3. PORT CONFIGURATION	Standard Inlet & Outlet Ports	Standard Vent & Drain Ports
3.01 Positioned as shown on GA drawing	1/2" FBSPP or FNPT	1/2" FBSPP or FNPT
3.02 Optional Ports – Special Order	Contact <b>Amflow®</b>	Contact <b>Amflow®</b>

4. FILTER HOUSING VOLUME	Metric	Imperial
4.01	0.32 liters	10.82 oz.

5. CONSTRUCTION MATERIALS	Standard Material	Special Order
5.01 Pressure vessel & external Parts	316/316L	Duplex 2205, Super Duplex 2507, Titanium (6AL-4V)
5.02 Wetted Seals	FFKM	Contact <b>Amflow®</b>
5.03 Non-Wetted Seals	Nitrile	Contact <b>Amflow®</b>
5.04 Element	Pleated 316 SS Metal Fiber Felt	N/A

6. DIMENSIONS	Metric	Imperial
6.01 Height (overall)	355 mm	14 in
6.02 Height (overall with Pop-Up Indicator)	373 mm	14.69 in
6.03 Diameter	94 mm	3.7 in

7. WEIGHT	Metric	Imperial
7.01	10.8 kg	24 lbs.

8. PANEL MOUNT REQUIREMENTS	
8.01 Threaded Mounting Holes	4 x M8 x 1.25



**1. FLOW RATES**

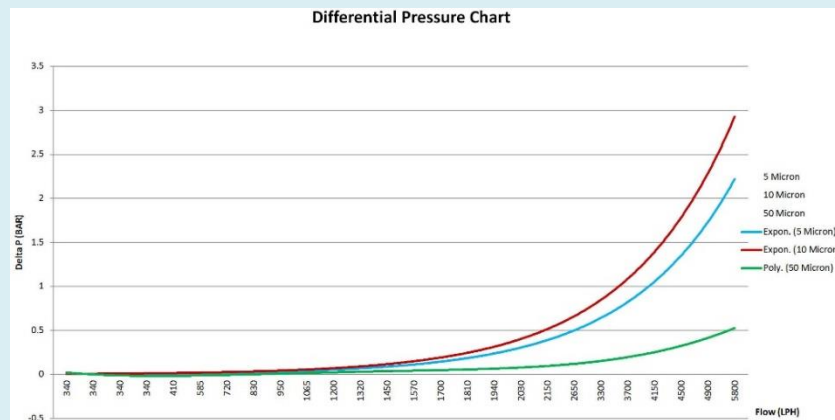
1.01 Flow: Ref. Chart

1.02 Maximum Operating Pressure: 316/316L 690 bar (10,000 PSI)

1.03 Hydrostatic Pressure Test: 316/316L 1,034 bar (15,000 PSI)

	Minimum	Maximum
1.04 Ambient Operating Temperature	-15°C (5°F)	232°C (450°F)

**SIMPLEX FILTER - HP**  
Calculated ΔP for the standard filter elements using H<sub>2</sub>O.



\* 5,800 LPH Filter Housing Maximum

**2. NOISE** Decibels

2.01 Less than 70 dB

**3. PORT CONFIGURATION** Standard Inlet & Outlet Ports Standard Vent & Drain Ports

3.01 Positioned as shown on GA drawing SF562CX Medium Pressure SF375CX-20 Medium Pressure

3.02 Optional Ports 1/2" FNPT 1/2" FNPT

**4. FILTER HOUSING VOLUME** Metric Imperial

4.01 0.32 liters 10.82 oz

**5. CONSTRUCTION MATERIALS** Standard Material Special Order

5.01 Pressure vessel & external parts 316/316L Duplex 2205, Super Duplex 2507, Titanium (6AL-4V)

5.02 Wetted Seals FFKM Contact **Amflow®**

5.03 Non- Wetted Seals Nitrile Contact **Amflow®**

5.04 Element Pleated 316 SS Sintered Metal Fiber Felt N/A

**6. DIMENSIONS** Metric Imperial

6.01 Height (overall) 370 mm 14.57 in

6.02 Diameter 94 mm 3.7 in

**7. WEIGHT** Metric Imperial

7.01 16 kg 35 lbs.

**8. PANEL MOUNT REQUIREMENTS**

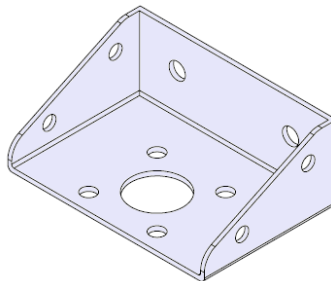
8.01 Treaded Mounting Holes 4 x M8 x 1.25



## OPTIONAL FEATURES

### DIFFERENTIAL PRESSURE POP-UP ASSEMBLY: **Currently only available on the LP version**

The Simplex Filter LP can be fitted with a differential pop-up, to provide a visual aid when the filter element needs to be cleaned or replaced.



**SINGLE FILTER MOUNTING BRACKET– Order Separately**  
Available for the Simplex Filter LP & HP

**MOUNTING BRACKET**  
**PART # 00001789-0301-000**  
**MOC: 316 SS**



(Elements may be purchased separately):

1. FILTER ELEMENT	Outside to Inside	Inside to Outside
1.01 Maximum Differential Pressure	35 bar (507 PSI)	10 bar (145 PSI)
2. FILTRATION AREA	Metric	Imperial
2.01 Filter Element – Pleated Only	709 cm <sup>2</sup>	110 in <sup>2</sup>
3. DIMENSIONS	Metric	Imperial
3.01 Height (overall)	305 mm	12.00 in.
3.02 Diameter	32 mm	1.260 in.
4. CONSTRUCTION MATERIALS	Standard	
4.01 Filter Element	Pleated 316 SS Sintered Metal Fiber Felt	
5. CLEANLINESS CODES		
ISO 4406	Class 18/16/13	
NAS 1638	Class 7	
SAE AS4059E	Class 7	
6. FILTER ELEMENT SIZES	Standard Sizes	Optional Sizes
6.01 Available Sizes	5, 10, 20, 50, 100 & 300 Micron	Contact <b>Amflow®</b>

**Filter Elements**

**Standard Pleated Filter Elements**

Order #:	Filter Size:
00001071-0501-001	5 Micron – 316 SS
00001071-0501-002	10 Micron – 316 SS
00001071-0501-003	20 Micron – 316 SS
00001071-0501-005	50 Micron – 316 SS
00001071-0501-007	100 Micron – 316 SS
00001071-0501-009	300 Micron – 316 SS

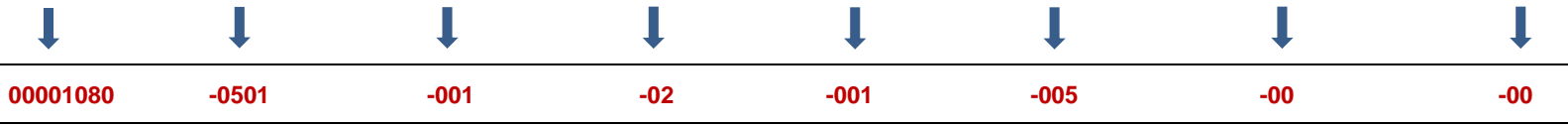
**Special Order Pleated Filter Elements**

Order #:	Filter Size:
00001071-0501-000	2.5 Micron – 316 SS
00001071-0501-004	30 Micron – 316 SS
00001071-0501-006	75 Micron – 316 SS
00001071-0501-010	150 Micron – 316 SS
00001071-0501-008	200 Micron – 316 SS
00001071-0501-010	400 Micron – 316 SS



ORDERING GUIDE

PRODUCT NO.	PRODUCT TYPE	PRODUCT CODE NO.	EXTERNAL PARTS MATERIAL	MATERIAL CODE NO.	WETTED SEALS	SEALS CODE NO.	PRODUCT TYPE	PRODUCT TYPE CODE NO.	PLEATED FILTER ELEMENT MICRON	ELEMENT CODE NO.	ELEMENT FUNCTIONAL TYPE	ELEMENT FUNCTION CODE NO.	OPTIONS	OPTIONS CODE NO.			
00001080	FILTER	-0501	316/316L	-001	BASED ON CHEMICAL MSDS	-02	SIMPLEX FILTER HP UP TO 690 BAR (10,000 PSI) ONLY SUPPLIED WITH MEDIUM PRESSURE OR 1/2" FNPT PORTS	-000	2.5 MICRON SPECIAL ORDER	-000	TO BE USED AS A FILTER	-00	NONE	-00			
			TITANIUM	-002					5 MICRON	-001							
			DUPLEX 2205	-003					10 MICRON	-002							
									20 MICRON	-003							
									STANDARD SEALS ARE FFKM & PTFE	SIMPLEX FILTER LP UP TO 414 BAR (6,000 PSI)	-001	30 MICRON SPECIAL ORDER	-004	TO BE USED AS A STRAINER	-01	DIFFERENTIAL PRESSURE POP-UP ONLY WORKS IN FILTER MODE NOT STRAINER MODE	-01
					50 MICRON							-005					
					75 MICRON SPECIAL ORDER							-006					
					100 MICRON							-007					
					150 MICRON SPECIAL ORDER							-010					
					200 MICRON SPECIAL ORDER							-008					
		300 MICRON	-009														
		400 MICRON SPECIAL ORDER	-010														



INLET & OUTLET PORTS	PORT OPTIONS CODE NO.
1/4" FBSPP	-00
1/4" FNPT	-01
1/2" FBSPP	-02
1/2" FNPT	-03
3/4" FBSPP	-04
3/4" FNPT	-05
SF375CX MEDIUM PRESSURE FOR USE WITH 3/8" TUBE	-06
SF562CX MEDIUM PRESSURE FOR USE WITH 9/16" TUBE	-07
FLANGES	-FL

VENT PORT	PORT OPTIONS CODE NO.
1/4" FBSPP	-00
1/4" FNPT	-01
1/2" FBSPP	-02
1/2" FNPT	-03
3/4" FBSPP	-04
3/4" FNPT	-05
SF375CX MEDIUM PRESSURE FOR USE WITH 3/8" TUBE	-06
SF562CX MEDIUM PRESSURE FOR USE WITH 9/16" TUBE	-07

DRAIN PORT	PORT OPTIONS CODE NO.
1/4" FBSPP	-00
1/4" FNPT	-01
1/2" FBSPP	-02
1/2" FNPT	-03
3/4" FBSPP	-04
3/4" FNPT	-05
SF375CX MEDIUM PRESSURE FOR USE WITH 3/8" TUBE	-06
SF562CX MEDIUM PRESSURE FOR USE WITH 9/16" TUBE	-07

SF375CX is standard for HP. 1/4" FBSPP is standard for LP. All other Drain Ports are provided by adaptors.



Sample part # 00001080-0501-001-02-001-005-00-00-02-02-00



**Amflow® A&H Enterprises Inc.**  
**World Headquarters**

11812 NE 116<sup>th</sup> St.  
Kirkland Washington U.S.A.  
98034

Tel: +1.425.883.4040  
Fax: +1.425.823.1962  
E-Mail: [ah@amflow.com](mailto:ah@amflow.com)



**Amflow Norge As**  
**Representing:**

**Norway, Denmark, Germany, Italy, Sweden, Middle East, United Kingdom & The Netherlands**

Prinsens Vei 12  
4315 Sandnes, Norway

Tel: +47.922.19.656  
Fax: +47.520.00.591  
E-Mail: [lep@amflow.no](mailto:lep@amflow.no)



**Amflow Controls Asia SDN. BHD.**  
**Representing:**

**Malaysia, India, Indonesia, Singapore, Thailand & Vietnam**

No. 9 Jalan 11/12 46200 Petaling Jaya  
Selangor, Malaysia

Tel: +60.12.3323.118  
E-Mail: [amflowcontrols@gmail.com](mailto:amflowcontrols@gmail.com)



**Sudiflow Integrated Services, LTD.**  
**Representing:**

**Nigeria, Angola, Benin, Cameroon, Equatorial Guinea, Gabon, Ghana & Togo**

25 Elemenwo Road  
Port Harcourt, Nigeria

Tel: +234.803.309.1405  
Tel: +234.805.201.2252  
E-Mail: [sudiflow@yahoo.com](mailto:sudiflow@yahoo.com)  
E-Mail: [etimbukfrank.sudiflow@yahoo.com](mailto:etimbukfrank.sudiflow@yahoo.com)

