



Amflow®

A & H Enterprises, Inc.

11812 NE 116th Street
Kirkland, WA 98034 USA

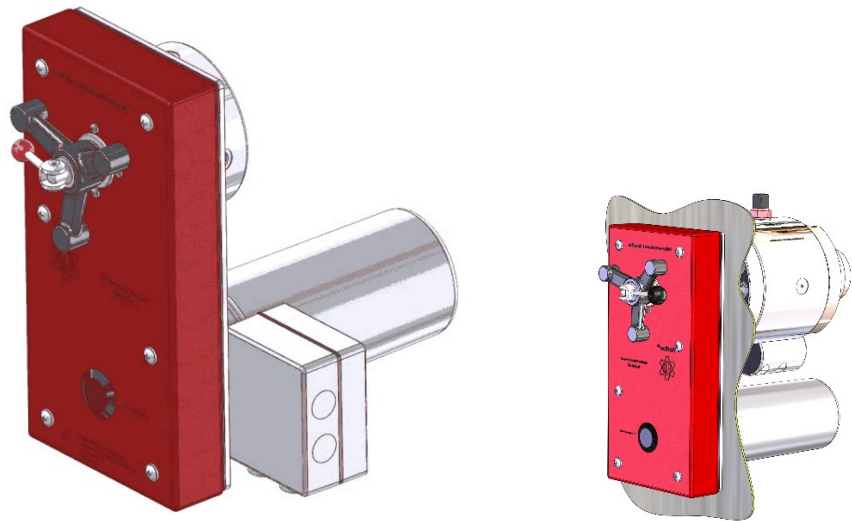
TEL: +425.883.4040
FAX: +425.823.1962

www.amflow.com

EMAIL: ah@amflow.com

TECHNICAL DATA SHEET

AMFLOW® A3 **ATEX/IECEX 24 VDC ELECTRONIC VALVE ACTUATOR** (STAINLESS STEEL CAM LOCK SYSTEM)



Part Number: 00002300-0501

(*Reference Ordering Guide on page 7 for part number options)

Certifications and Standards:

Raw material test reports, post processes & chemical processes, will be maintained on file with **Amflow®** for a period of not less than TEN years.

ATEX DIRECTIVE 2014/34/EU
EU TYPE EXAMINATION: PRESAFE 17 ATEX 9461X
PQAN: PRESAFE 17 ATEX 10673Q
IECEX PRE 17.0030X
CE₂₄₆₀ Ex II 2 G Ex db eb IIC T4 IP66

Amflow® reserves the right to amend or change specifications without prior notice



Communication Protocols:

- Remote access from host computer for control, monitoring, and configuration
- Available Communication Protocols:
 - ❖ Industrial Ethernet – For Actuator configuration only
 - ❖ Standard 4-20 mA
 - ❖ HART 4-20 mA Version 7.5
 - ❖ H1 Foundation Fieldbus™
 - ❖ Modbus RTU/TCP

Mechanical Features:

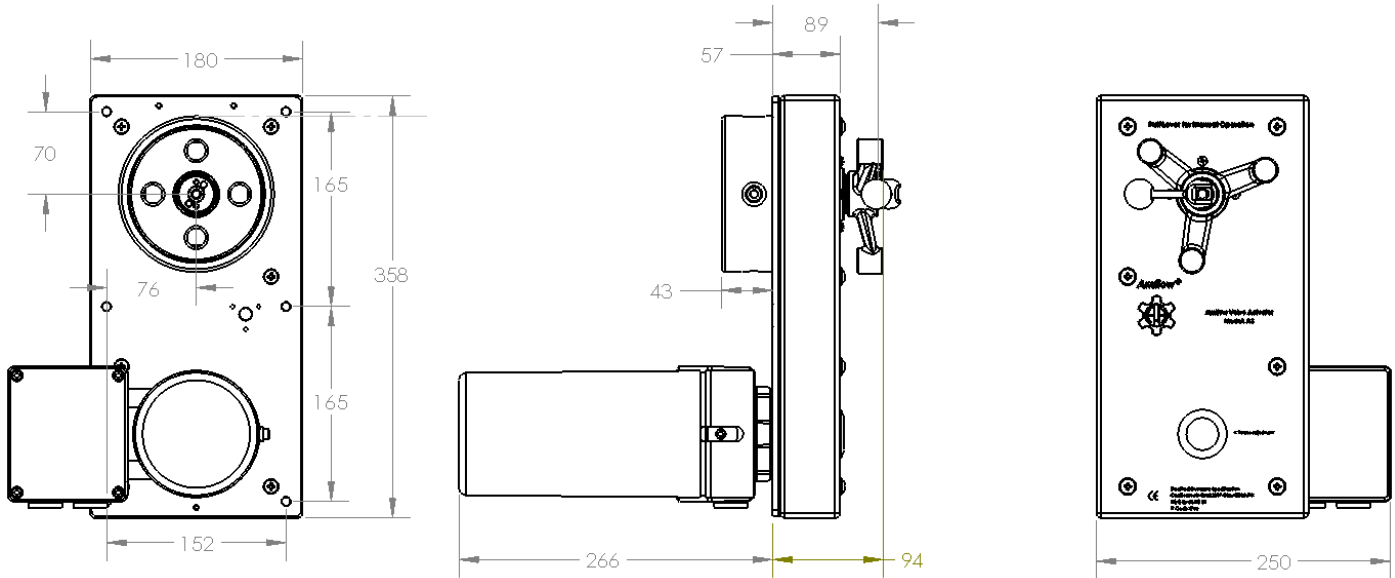
- Ex db Ex eb ATEX/IECEX Certified Enclosure: 316/316L
- Stainless Steel Drive Assembly: 316/316L
- Stainless Steel Cam Lock Valve Connect: 316/316L
- Stainless steel drive enclosure: Powder coated 316/316L
- Adjustable torque setting
- Weight: 48 lbs. (22 Kg)
- Cable gland threaded ports: M20 x 1.5 – 2 each
- Local manual over-ride feature
- Low maintenance 316/316L Stainless Steel Drive
- For use with the AM30 or AM37A Only

Amflow® A3 ATEX Actuator: Electrical Specifications

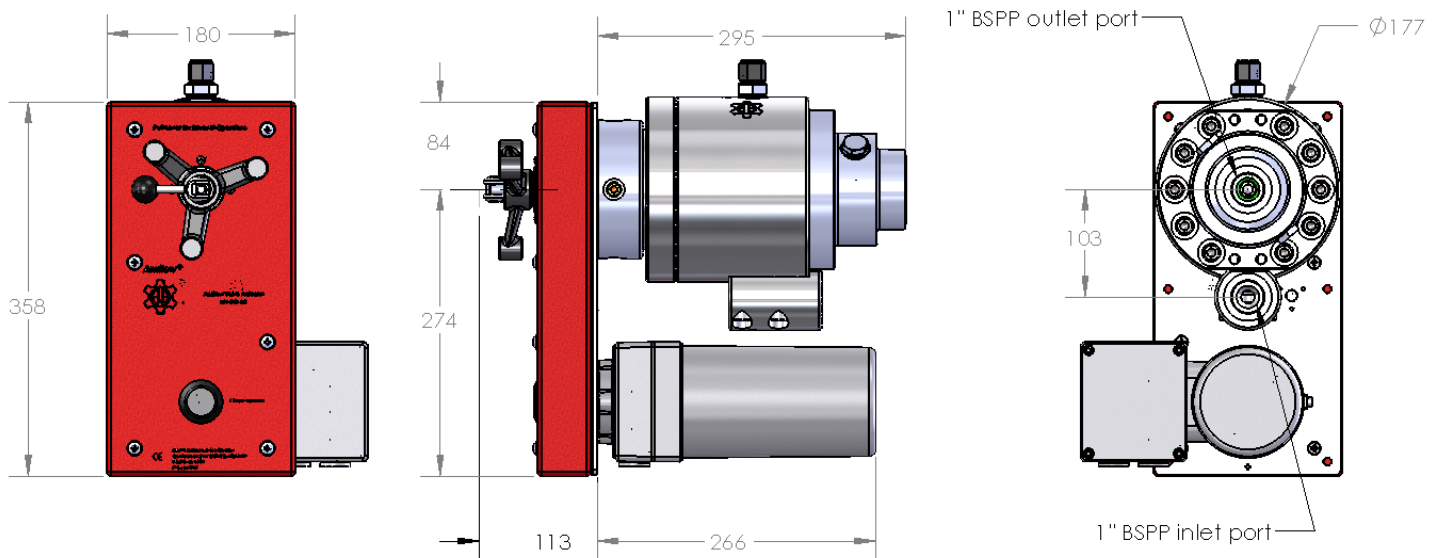
Model	Motor	Power	Idle Current	Idle Wattage	Normal Operation Current	Normal Operation Wattage	Max. Stall Current	Max. Stall Wattage	Max. In-Rush Current	Max In-Rush Wattage
A3	DC Gear	24 VDC +/- 1 VDC	0.073 Amps	1.75 Watts	0.21 Amps	5.00 Watts	<1.25 Amps	30 Watts	<3.0 Amps	72 Watts

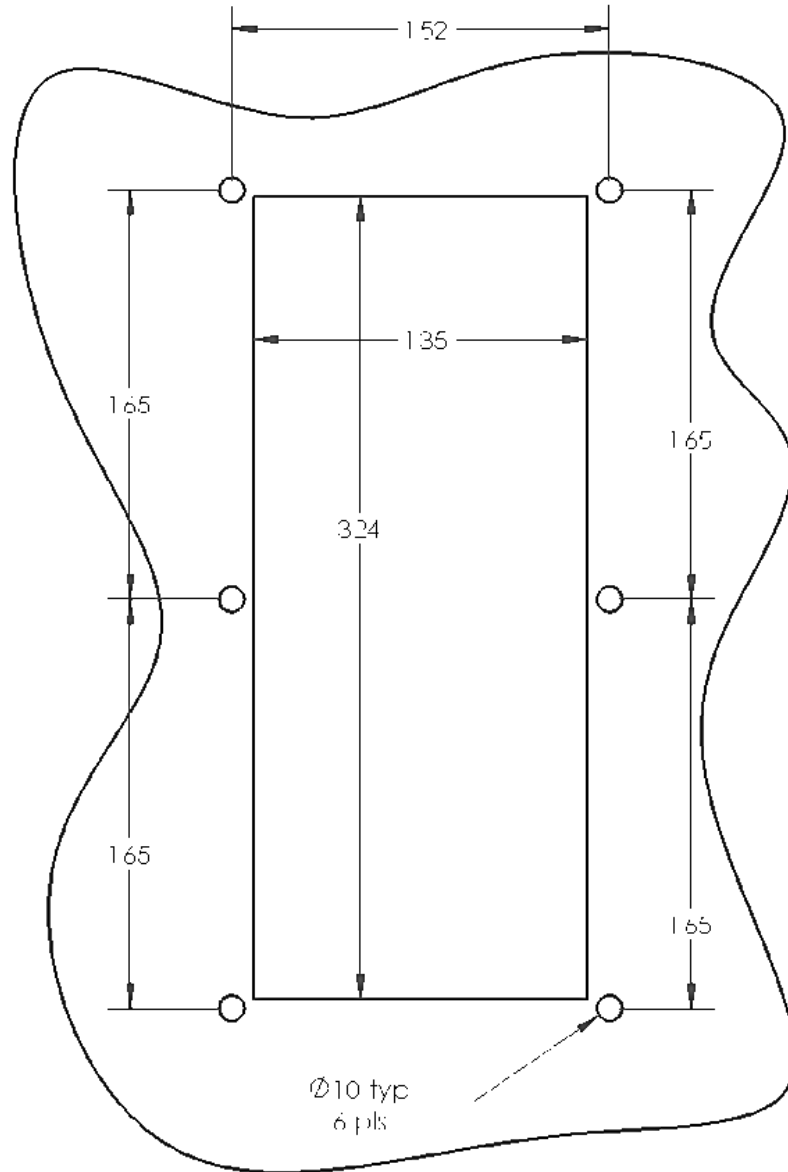
A3 Communication Options
<ul style="list-style-type: none"> • Industrial Ethernet – For Actuator configuration only. • Standard 4-20 mA • HART 4-20 mA Version 7.5 • H1 Foundation Fieldbus™ • Modbus RTU/TCP





GA DRAWING with AM30 FLOW CONTROL VALVE





ALL DIMENSIONS IN MM

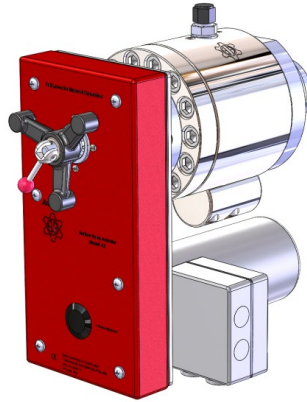


1. APPLICATION		
1.01 Flow Control Valves	AM30 & AM37A Flow Control Valves	
2. MAXIMUM TORQUE		
2.01	14 Newton Meters	
3. COMMUNICATION PROTOCOLS		
3.01	Industrial Ethernet – for Actuator Configuration Only	
3.02	Standard 4-20mA	
3.03	HART 4-20 mA Version 7.5	
3.04	H1 Foundation Fieldbus™	
3.05	Modbus RTU/TCP	
4. NOISE		
	Decibels	
4.01	Less than 70 dB	
5. TEMPERATURE		
5.01 Ambient Temperature Range	-20° C to + 60° C	-4° F to + 140° F
6. PORT CONFIGURATION		
6.01 Cable Gland Entry Ports – 2 each	M 20 X 1.5	
7. CONSTRUCTION MATERIALS		
	Standard Material	
7.01 ATEX/IECEX Ex db & Ex eb Enclosure	316/316L	
7.02 Seals	Viton/Silicon	
8. DIMENSIONS		
	Metric	Imperial
8.01 Height (overall)	358 mm	14.10 in
8.02 Width	250 mm	10.00 in
8.03 Depth	360 mm	14.20 in
9. WEIGHT		
	Metric	Imperial
9.01	22 kg	48 lb
10. PANEL MOUNTING REQUIREMENTS		
	Metric	Imperial
10.01 Panel Mounting Bolt Hole Size	4 ea. @ 10 mm	4 ea. @ 0.400 inches
11. CERTIFICATIONS & QUALITY APPROVALS		
ATEX DIRECTIVE 2014/34/EU		
EU TYPE EXAMINATION: PRESAFE 17 ATEX 9461X		
PQAN PRESAFE 17 ATEX 10673Q		
IECEX PRE 17.0030X		
CE 2460 Ex II 2 G Ex db eb IIC T4 IP66		



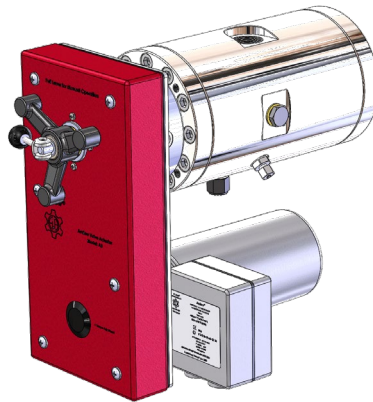
PRODUCT COMPATIBILITY

AM30 FLOW CONTROL VALVES



A3 ACTUATOR
Shown with
AMFLOW® AM30 Flow Control Valve

AM37A FLOW CONTROL VALVES



A3 ACTUATOR
Shown with
AMFLOW® AM37A Flow Control Valve



PRODUCT NO.	PRODUCT TYPE	CODE NO.	MATERIAL	CODE NO.	DRIVE	CODE	COMMUNICATIONS	CODE NO.
00002300	ATEX/IECEX ELECTRONIC ACTAUTOR	-0501	316/316L	-001	316/316L STAINLESS STEEL DRIVE	-014	STANDARD 4-20mA INDUSTRIAL ETHERNET MODBUS RTU/TCP	-010
							H1 Foundation Fieldbus™	-011
							HART 4-20 mA Version 7.5	-012

00002300	-0501	-001	-014	-010
-----------------	--------------	-------------	-------------	-------------

EXAMPLE

TO ORDER:
Amflow® A3 Actuator
with
Standard 4-20 mA

YOU WOULD ORDER #:
00002300 – 0501 – 001 – 014 - 010



Amflow® A&H Enterprises Inc.
World Headquarters

11812 NE 116th St.
Kirkland Washington U.S.A.
98034

Tel: +1.425.883.4040
Fax: +1.425.823.1962
E-Mail: ah@amflow.com

Amflow Norge As
Representing:

Norway, Denmark, Germany, Italy, Sweden, Middle East, United Kingdom & The Netherlands

Prinsens Vei 12
4315 Sandnes
Norway

Tel: +47.922.19.656
Fax: +47.520.00.591

Amflow Controls Asia SDN. BHD.

Representing:
Malaysia, India, Indonesia, Singapore, Thailand & Vietnam

No. 9 Jalan 11/12 46200 Petaling Jaya
Selangor, Malaysia

Tel: +60.12.3323.118
E-Mail: amflowcontrols@gmail.com

Sudiflow Integrated Services, LTD.

Representing:
Nigeria, Angola, Benin, Cameroon, Equatorial Guinea, Gabon, Ghana & Togo

25 Elemenwo Road
Port Harcourt
Nigeria

Tel: +234.803.309.1405
E-Mail: sudiflow@yahoo.com

