

FOR CORRECT PUMPSETTING, EASY FAULTFINDING AND REDUCION OF OPERATIONAL COSTS



Matek unique features

1. Designed for the oil- and gas industry, meeting today's user and contractor's document requirements. Designed to EN 1595
2. Stressed relieved borosilicate glass is used instead of plastic materials, providing clear visibility at all times without the risk of chemical or environmental attack.
3. Radial glass sealing, securing positive and a stress free sealing over a wide temperature range.
4. All SS 316 metals (wetted and non wetted), making the instrument suited to be installed on (petro) chemical plants and offshore installations.
5. Robust glass protection for mechanical impact.
6. Dual scale indication for easy volumetric and capacity read-out.
7. The widest range. Calibration gauges with volumes of 2,5 ml (160 ml/hr) to 125L (7,5 m³/hr)

Model designation

SS - V - 500 - N - N (GPH) (R)

Material wetted parts

SS : ss316/316L (standard)
DS : duplex ss
SD : super duplex ss
HC : Hastelloy C276
TI : Titanium grade 2
PC : C-PVC
PF : PVDF

Sealing material

V : FKM / viton (standard)
E : EPDM
B : BUNA / NBR
P : PTFE

Volume in ml

2,5-5,5-9-20-45-100-220-
500-1000-2200-4000
or liters 6,5L-10L-22L-40L-
85L-125L

Bottom- & Top connection

N : NPT fem.
F : flanged to ANSI B16.5

Measuring style

No prefix : while emptying
R : while filling

Scales

No prefix : ml – l/hr
GPH : ml – USGPH
GPD : ml – USGPD

Release 2020

MATEK

CALIBRATION POTS

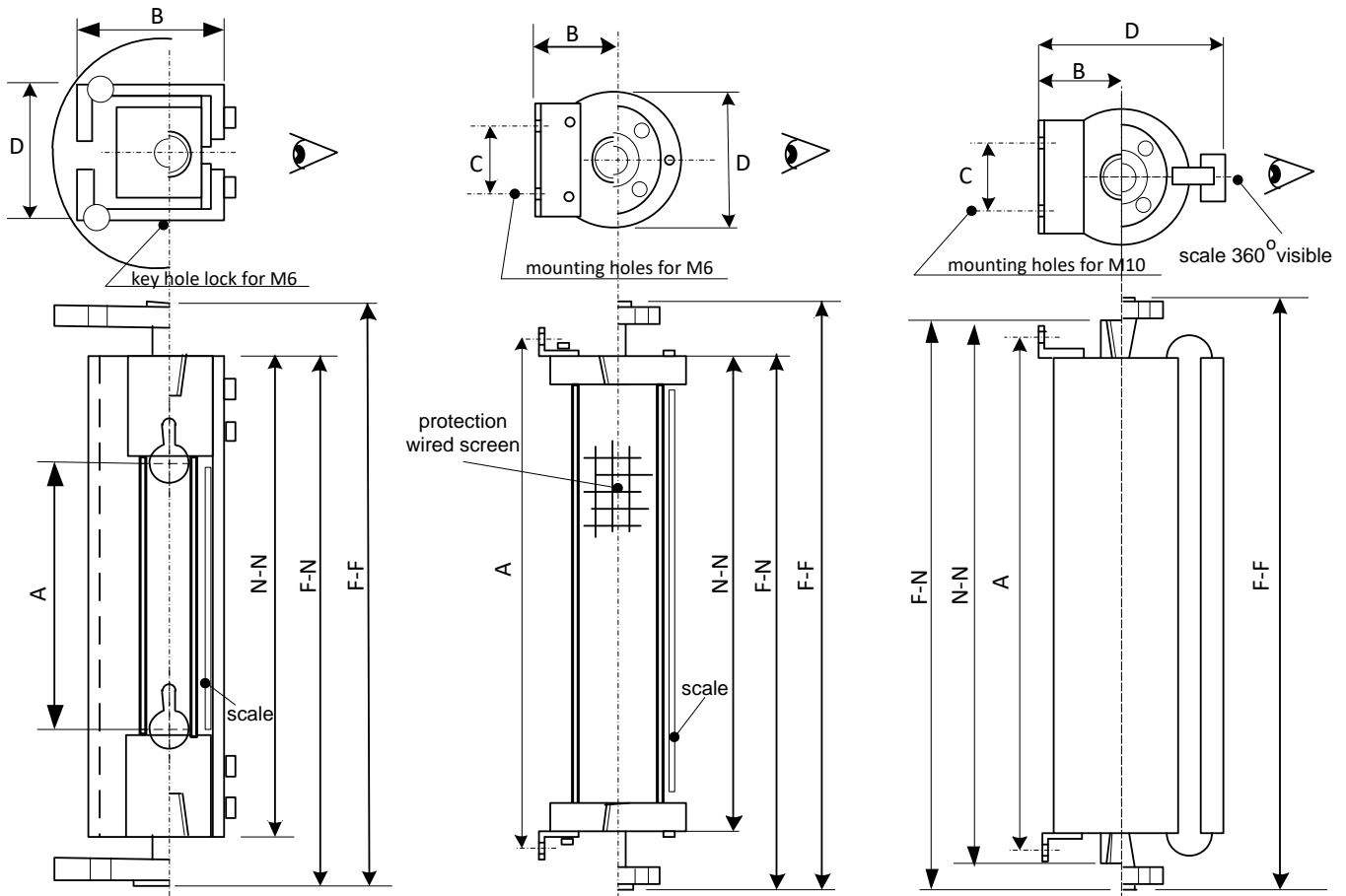


Figure 1

Figure 2

Figure 3

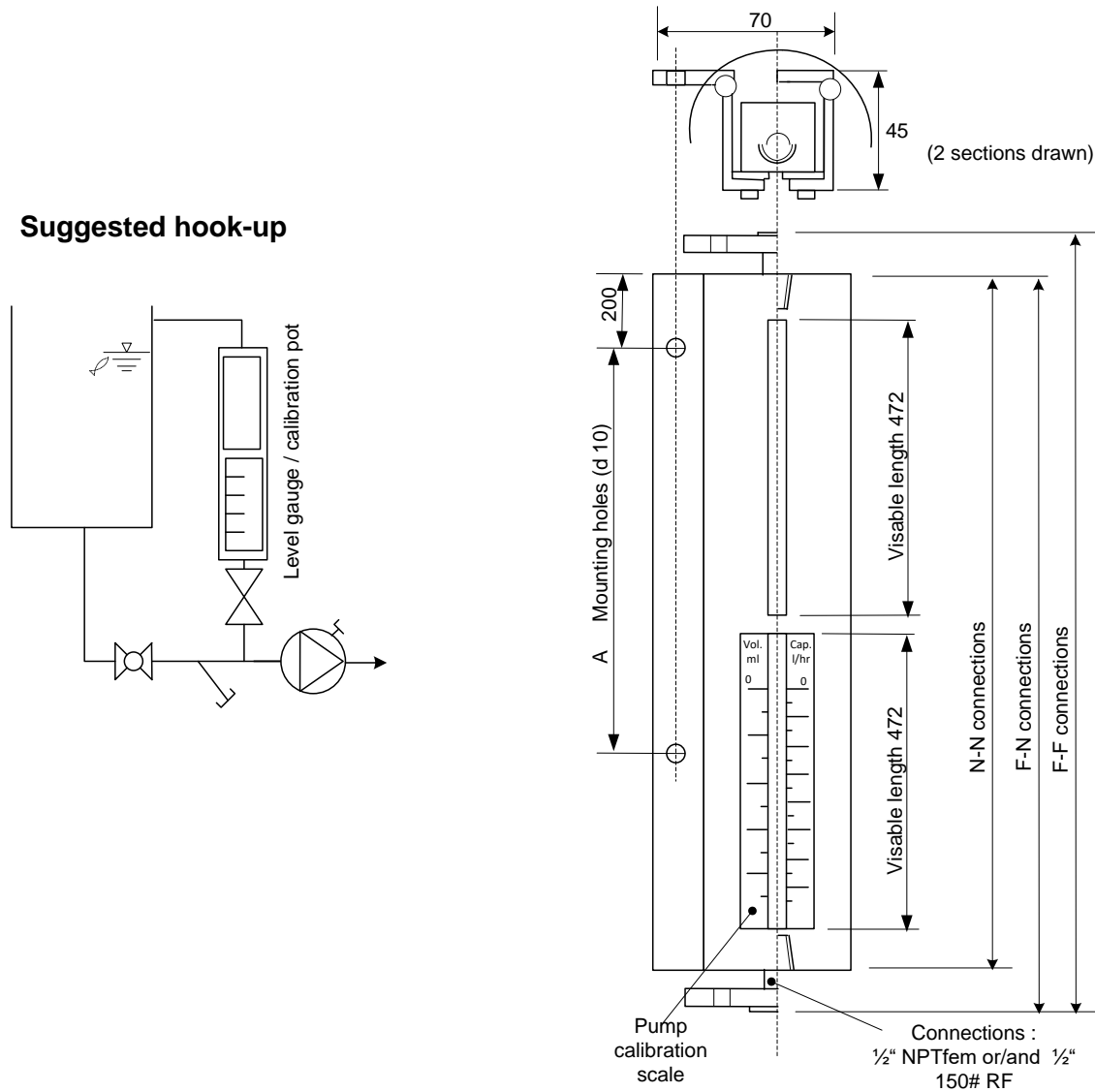
Model	Capacity scale Range (division)	Volume scale Range (division)	Connection screw ed (N)	Connection flanged (F)	Figure	N-N mm	F-N mm	F-F mm	A mm	B mm	C mm	D mm
SS-x- 2,5-*-*	0 - 160 ml/hr (10)	0 - 2,6 ml (0,2)	1/2" NPT	1/2" 150#	1	323	372	422	250	45	-	55
SS-x- 5,5-*-*	0 - 340 ml/hr (10)	0 - 5,6 ml (0,2)	1/2" NPT	1/2" 150#	1	573	623	672	500	45	-	55
SS-x- 9-*-*	0 - 0,55 l/hr (0,025)	0 - 9,0 ml (0,5)	1/2" NPT	1/2" 150#	1	323	372	422	250	45	-	55
SS-x- 20-*-*	0 - 1,2 l/hr (0,025)	0 - 20 ml (0,5)	1/2" NPT	1/2" 150#	1	573	623	672	500	45	-	55
SS-x- 45-*-*	0 - 2,7 l/hr (0,125)	0 - 45 ml (2,5)	1/2" NPT	1/2" 150#	1	323	372	422	250	45	-	55
SS-x- 100-*-*	0 - 6,0 l/hr (0,125)	0 - 100 ml (2,5)	1/2" NPT	1/2" 150#	1	573	623	672	500	45	-	55
SS-x- 220-*-*	0 - 13 l/hr (1)	0 - 220 ml (10)	1/2" NPT	1/2" 150#	1	323	372	422	250	60	-	68
SS-x- 500-*-*	0 - 30 l/hr (1)	0 - 500 ml (10)	1/2" NPT	1/2" 150#	1	573	623	672	500	60	-	68
SS-x-1000-*-*	0 - 60 l/hr (5)	0 - 1.000 ml (50)	3/4" NPT	3/4" 150#	2	265	318	371	299	74	50-90	ø135
SS-x-2200-*-*	0 - 135 l/hr (5)	0 - 2.200 ml (50)	3/4" NPT	3/4" 150#	2	515	568	622	550	74	50-90	ø135
SS-x-4000-*-*	0 - 240 l/hr (20)	0 - 4.000 ml (200)	1" NPT	1" 150#	2	265	321	378	299	110	80-160	ø210
SS-x- 6,5L-*-*	0 - 400 l/hr (25)	0 - 6,5 L (0,25)	3/4" NPT	3/4" 150#	3	312	365	418	300	113	80	275
SS-x- 10L-*-*	0 - 600 l/hr (25)	0 - 10 L (0,5)	1" NPT	1" 150#	3	316	372	428	300	142	80	325
SS-x- 22L-*-*	0 - 1.350 l/hr (25)	0 - 22,5 L (0,5)	1" NPT	1" 150#	3	566	622	678	550	142	80	325
SS-x- 40L-F-F	0 - 2.400 l/hr (80)	0 - 40 L (1)	-	2" 150#	3	-	-	692	610	155	80	418

Notes :

- * - * defines the bottom – top connections. e.g. F – N is for a flanged bottom connection and a screwed top connection.
- x indicates the seal material. V=Viton (standard), E=EPDM, B=Buna

Release 2021

COMBINED LEVEL GAUGE AND CALIBRATION POT



2 sections

Model	Capacity scale Range (division)	Volume scale Range (division)	Connection screwed (N)	Connection flanged (F)	A mm	N-N mm	F-N mm	F-F mm
SS-x- 20-*-*-LG2	0 - 1,2 l/hr (0,025)	0 - 20 ml (0,5)	1/2" NPT	1/2" 150#	500	1057	1107	1157
SS-x- 100-*-*-LG2	0 - 6,0 l/hr (0,125)	0 - 100 ml (2,5)	1/2" NPT	1/2" 150#	500	1057	1107	1157

3 sections

Model	Capacity scale Range (division)	Volume scale Range (division)	Connection screwed (N)	Connection flanged (F)	A mm	N-N mm	F-N mm	F-F mm
SS-x- 20-*-*-LG3	0 - 1,2 l/hr (0,025)	0 - 20 ml (0,5)	1/2" NPT	1/2" 150#	1000	1600	1650	1700
SS-x- 100-*-*-LG3	0 - 6,0 l/hr (0,125)	0 - 100 ml (2,5)	1/2" NPT	1/2" 150#	1000	1600	1650	1700

Notes :

- * - * defines the bottom – top connections. e.g. F – N is for a flanged bottom connection and a screwed top connection.
- x indicates the seal material. V=Viton (standard), E=EPDM, B=Buna