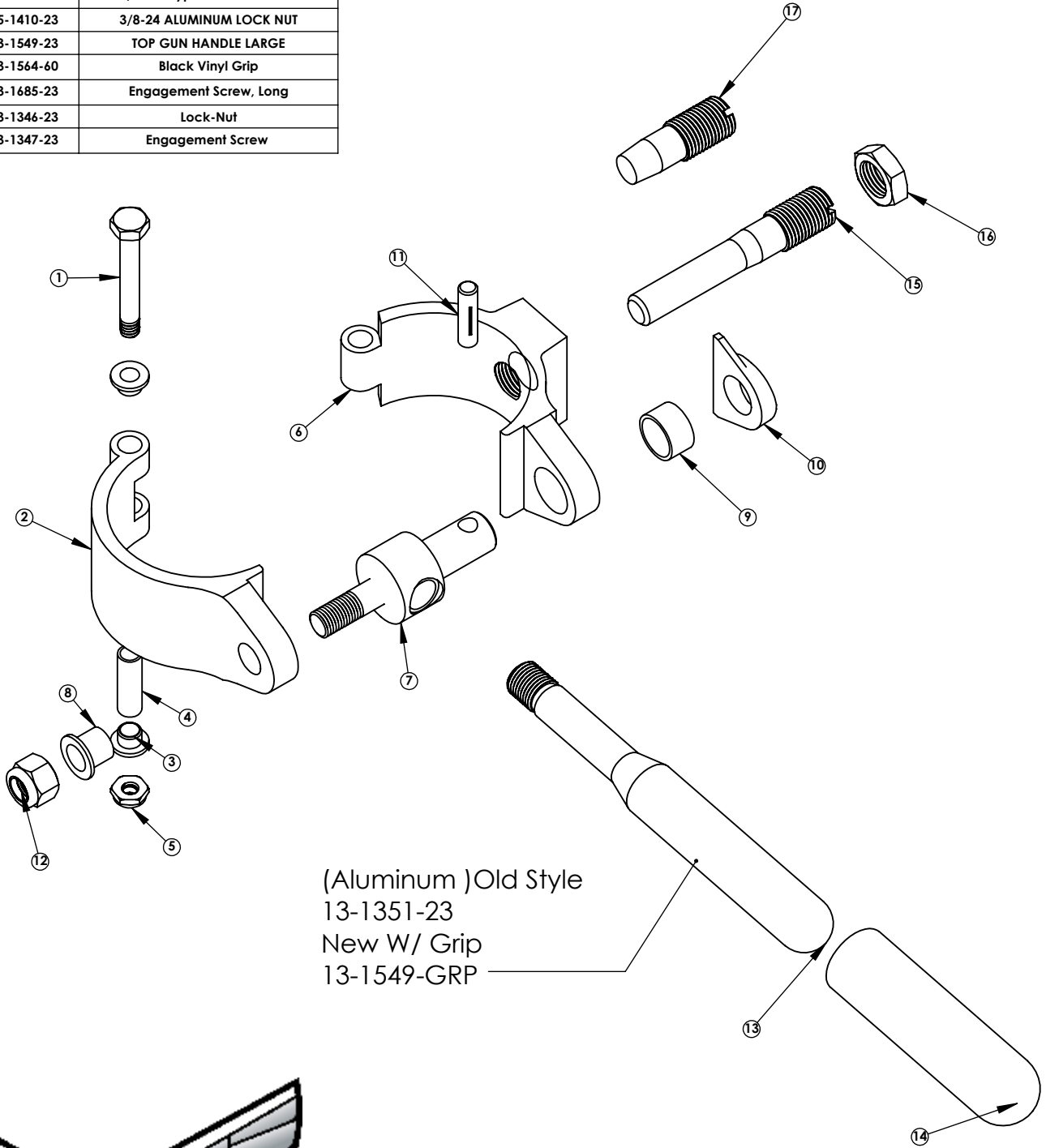


#	QTY	Part No	Description
1	1	(CA-0045) or 420-1875-011	(ASM) or Hex Bolt
2	1	13-1344-23	CLAMP ADJUSTABLE HALF
3	2	03-1121-50	1/4 Flanged Sleeve
4	1	03-1253-50	Tube Bushing 1"
5	1	420-NTE-01	1/4-20 Nylock
6	1	13-1343-23	CLAMP, CAM HALF
7	1	13-1348-23	ACTUATING SHAFT
8	1	13-1560-50	3/8 FLANGED BEARING
9	1	13-1561-50	3/8 SLEEVE
10	1	13-1342-42	ACUATING CAM
11	1	13-1362-40	1/4" x 1 Type 'E' Grooved Pin
12	1	15-1410-23	3/8-24 ALUMINUM LOCK NUT
13	1	13-1549-23	TOP GUN HANDLE LARGE
14	1	13-1564-60	Black Vinyl Grip
15	1	13-1685-23	Engagement Screw, Long
16	1	13-1346-23	Lock-Nut
17	1	13-1347-23	Engagement Screw

CLASSIC TOP GUN CLAMP ASSEMBLY



(Aluminum)Old Style
13-1351-23
New W/ Grip
13-1549-GRP



Rupp Marine Inc
Serious Sportfishing Hardware
(772)286-5300 (866)477-2678

CA-0079
Parts Breakdown