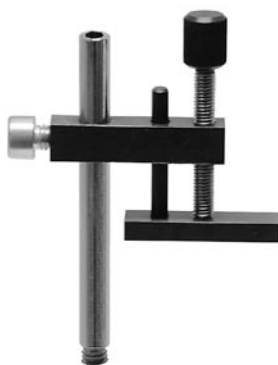


## Bar Clamp • V-Clamp

### 4BC32 • 4VC41



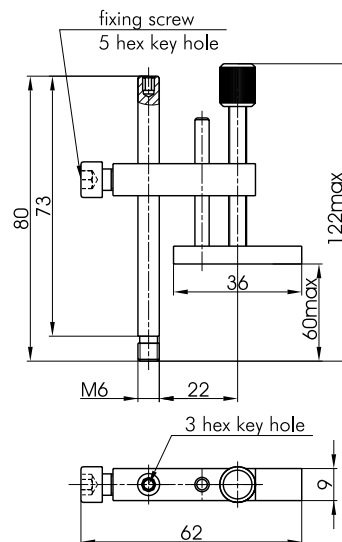
4BC32



4VC41

**Bar Clamp 4BC32 and V-Clamp 4VC41** are used for clamping of components directly to flats like a surface of an optical table or translation stage. The V-Clamp **4VC41** is used to hold round optical elements such as lenses. The Bar Clamp **4BC32** is used to hold prismatic elements like glass blocks, prisms, cells. Clamp adjustment range (maximal gap) is **59 mm**. The Bar Clamp **4BC32** and V-Clamp **4VC41** can be mounted anywhere where **M6** threaded holes are available.

Weight: **0.07 kg**



4BC32



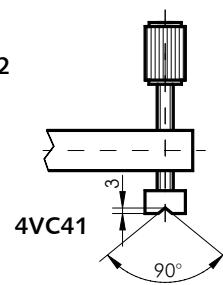
4VC41

5PM57



4BC32

5PM57



4VC41

## Spring Clamps

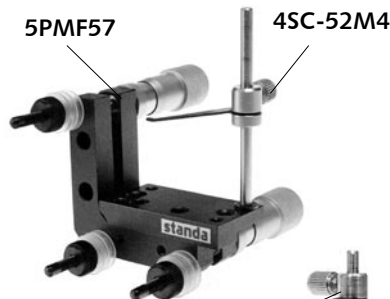
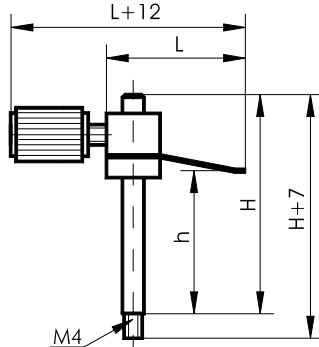
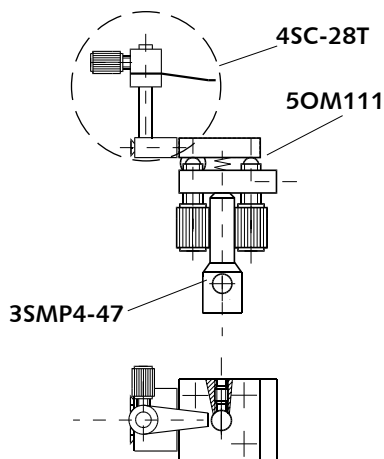
### 4SC



**Spring Clamps 4SC** are used to clamp components directly to surfaces of optical tables or translation stages. These Clamps are used to hold prismatic elements like glass blocks, prisms, cells.

The Spring Clamps **4SC** have an **M4** external screw and can be mounted anywhere where **M4** threaded holes are available.

Weight **0.02 kg**



5PMF57

4SC-52M4

4SC-28M4

5OM111

3SMP4-47

3PH-33

3RBP-49

4SC-52M4



6PT169

**4SC-28T** (includes the adapter) is designed for Mirror/Optics Mount **5OM111** when it is used as a tilting table.

Model	h, mm	H, mm	L, mm
4SC-52M4	0...52	65.5	40
4SC-28M4	0...28	41.5	26