

# EKKO<sup>®</sup>

MATERIAL HANDLING EQUIPMENT

**MOVING AHEAD**

## Lithium-ION PALLET JACKS EP15LI

- LITHIUM-ION
- 3300 lbs. Capacity
- Forks 27x48
- Compact & Economical
- Polyurethane Wheels
- Stability Casters
- Electromagnetic Braking
- Battery and Charger Included
- 3 Year Limited Warranty



## EP15LI

Superior quality, maneuverable, compact, and durable for all your material handling applications. Ideal for small aisles and areas.

**WEIGHT CAPACITY:** 3300 lbs.

**LIFT HEIGHT:** 7.87"

**FORK LENGTH:** 27x48"

**TURNING RADIUS:** 58"

**Li-ion BATTERY / CHARGER:** 24V 35Ah,  
24-volt Lithium-ion

**SPEED TRAVEL:** 4.5 mph empty ; 4.2 mph loaded

**LIFTING SPEED:** 1.1 ips empty; .8 ips loaded

**LOWERING SPEED:** 1.5 ips empty; 1.5 ips loaded

**DRIVE WHEELS:** 9.84" x 2.91" polyurethane

**STABILITY CASTERS:** 1.97" x 1.18" polyurethane

**LOAD WHEELS:** (2) 3.15" x 3.35" polyurethane

**HYDRAULICS LIFTING MOTOR:** 24V 800 Watt lifting motor with hardened chrome moly steel for durability.

**DRIVE MOTOR:** 24V 750 Watt drive motor for efficiency and high torque.

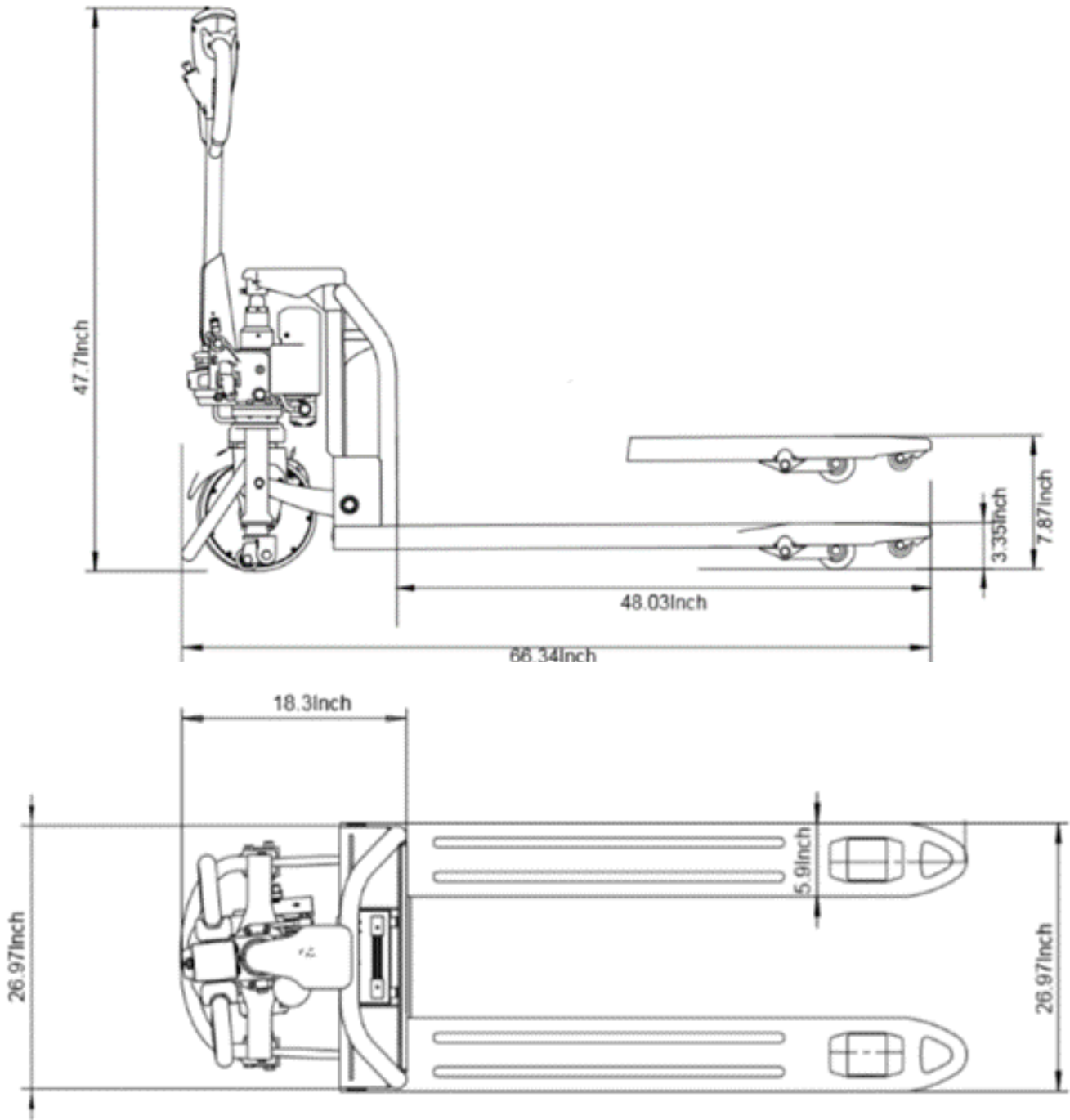
**CONTROLLER:** 24V provides performance through entire range of speed; Constant travel speed regardless of load; Battery discharge indicator combination gauge.

**BRAKES:** Electro-magnetic braking for secure stopping power; Electronic neutral braking for accurate control.

**OPERATOR CONTROLS:** Throttle, lifting, lowering, turtle mode and horn functions are located in the ergonomic handle; release lower handle; belly button reverse safety feature allows the unit to stop and reverse to avoid collision or injury.

**CHASSIS AND MAST:** Robotic Welding; Heavy duty steel for durability.





MODEL #	LOAD CAPACITY	FORKS	BATTERY	SERVICE WEIGHT
EP15LI	3300lbs	27x48	24V/35Ah	352lbs