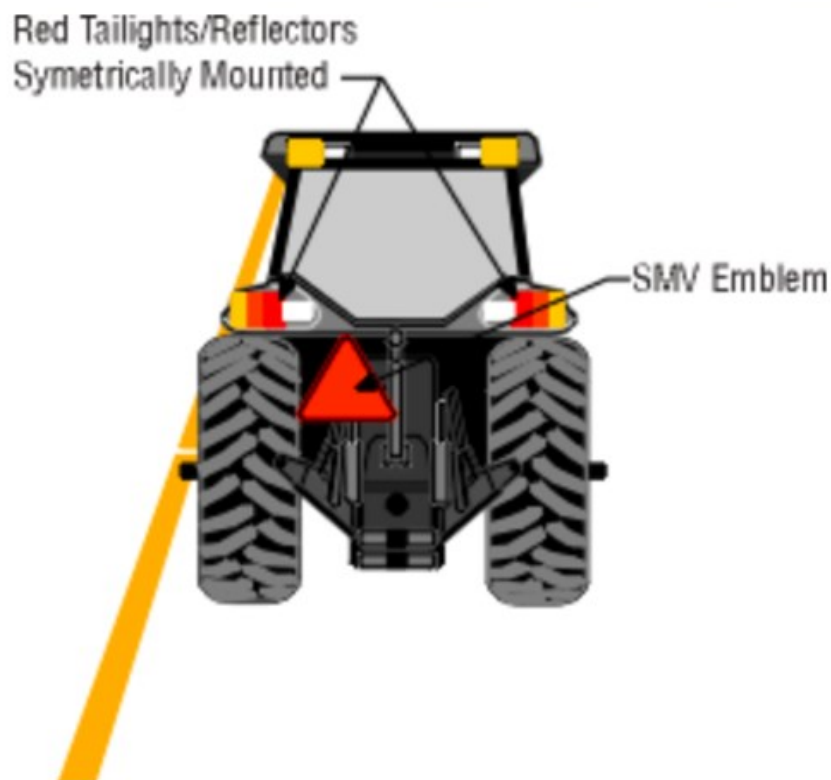


# Slow-Moving Vehicles: Lights and Signage

## Daytime Travel

### Slow Moving Vehicle Emblem (SMV)

Operators must have a slow-moving vehicle (SMV) emblem securely mounted at the centre or to the left of centre of the rear of the machine, and be clearly visible to the rear of the machine. The SMV emblem is mounted with the point of the triangle upward, perpendicular to the direction of travel, and visible from the rear. The sign is displayed as near to the rear and centred, or as near to the left of centre of the vehicle or equipment as practicable. It is located between 0.6 to 1.8 m (2 to 6 ft.) above the ground measured from the lower edge of the emblem.

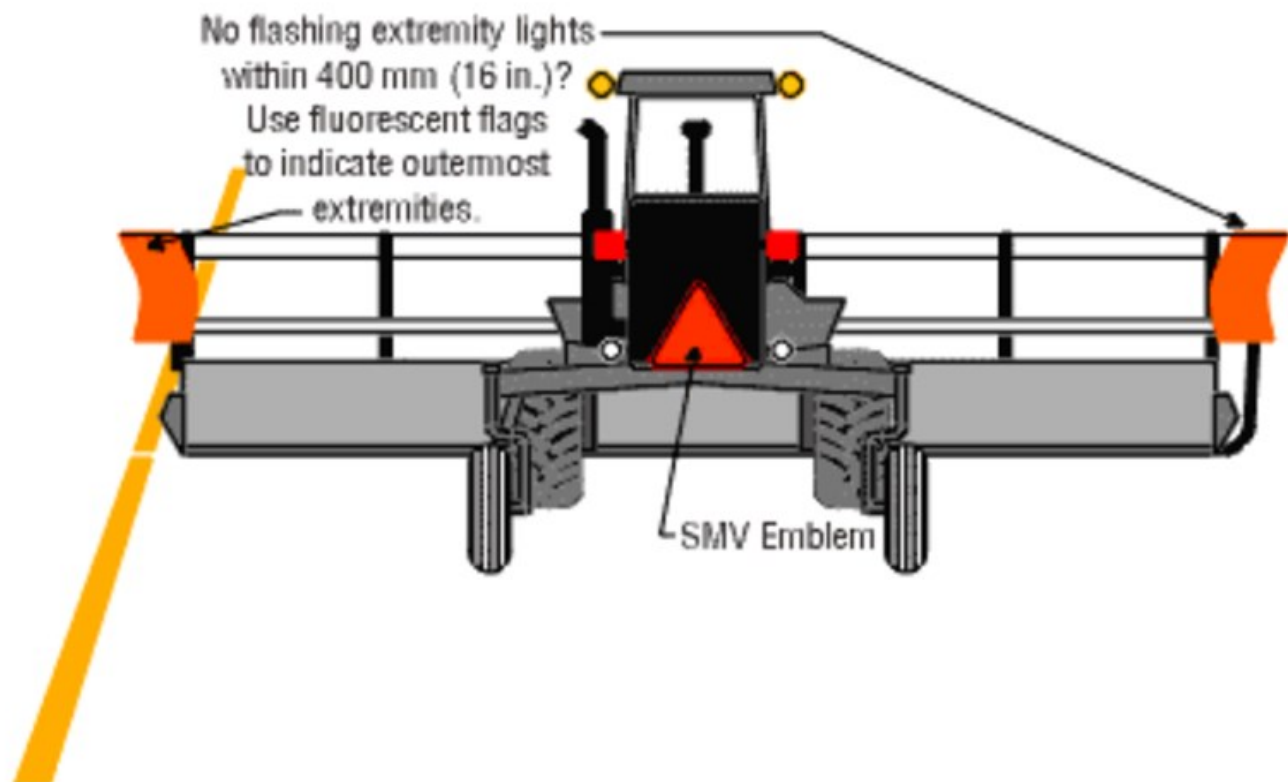


At least two red reflectors visible from the rear are required. These reflectors must be mounted as close as practicable to the extreme left and right projections of the machine. The reflectors can be part of lensing in tail lamps. Reflectors that are part of lensing in tail lamps must comply with SAE Standard J594.

Reflective material must be visible at night from distances within 183 m (600 ft.) when directly exposed to the lower light beam of headlamps. Reflective material must meet the durability requirements specified in ANSI/ASAE Standard S276 (Slow-Moving Vehicle Identification Emblem). Your supplier can ensure that components they sell meet the requirements of the standards listed.

## Flags

If your tractor or self-propelled implement is over 13 feet wide, and has no flashing extremity warning lights within 16 inches of its outermost extremities, then **coloured fluorescent flags** must mark the outermost extremities of the implement for daytime travel.



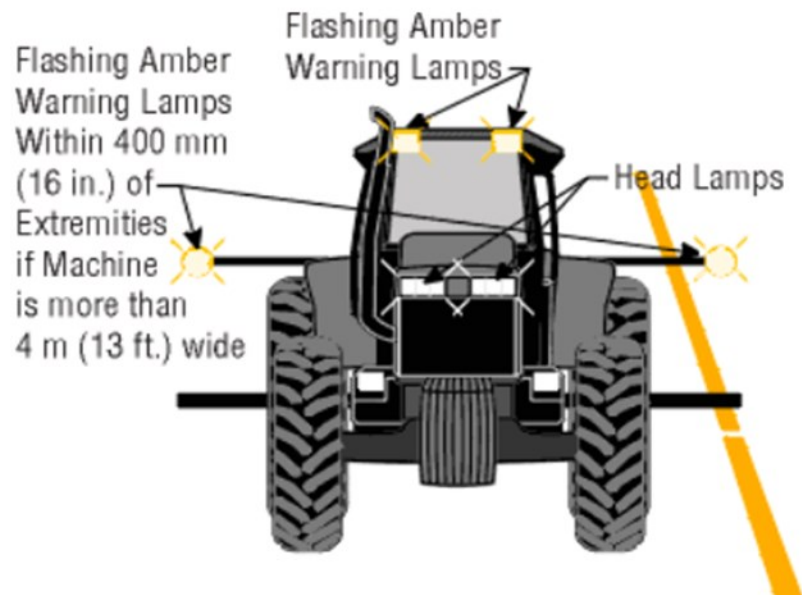
## Source

1998, PAMI *BeSafeBeSeen*, <http://pami.ca/beseenbesafe/beseen/daydeta1.htm>

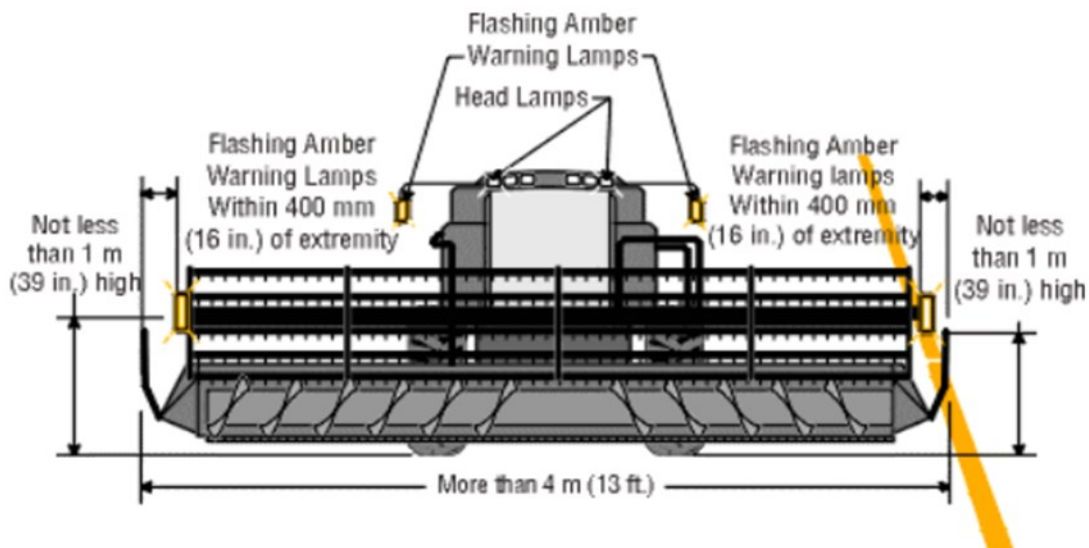
## Night Time Travel

### Head Lamps

Tractors and other self-propelled equipment must have at least two headlamps visible from the front. Both headlamps must be mounted at the same height and spaced horizontally as widely apart as practicable.

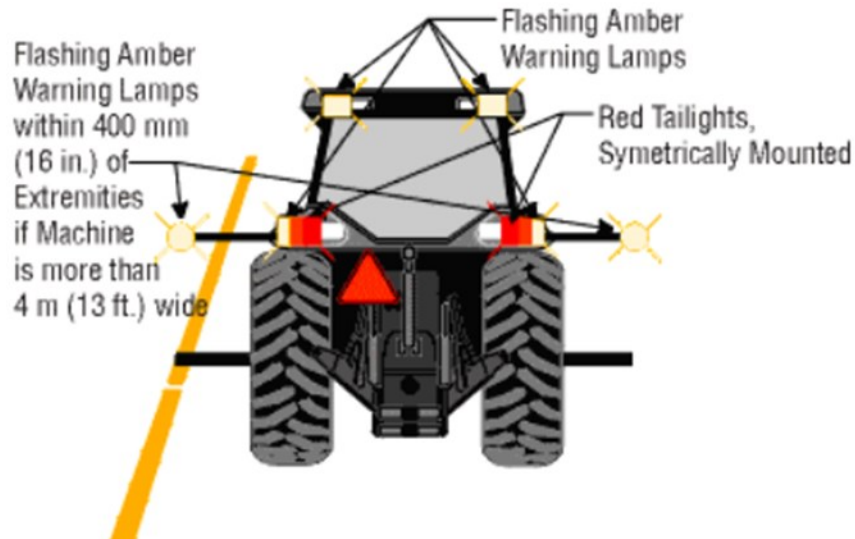


If the machine is more than 4 m (13 ft.) wide (as in the case of a combine or protruding axle stubs or dual or triple tires on a tractor), warning lamps must mark the extremities.

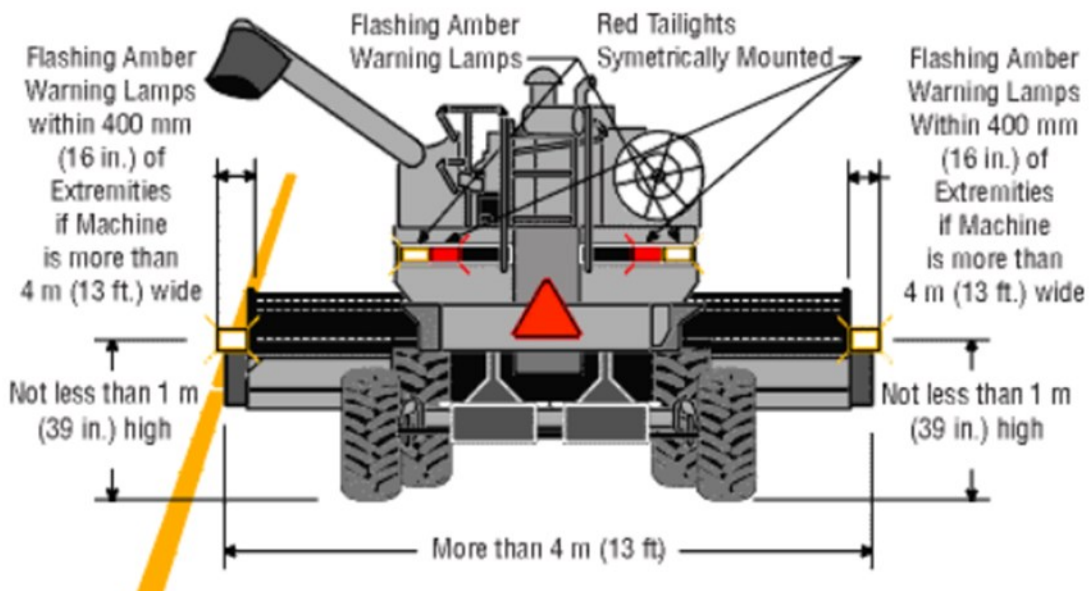


## Tail Lamps

Tractors and other self-propelled equipment must have at least one red tail lamp two flashing amber warning lamps. Tail lamps must be visible from the rear of the machine and mounted less than 1.5 m (5 ft.) to the left of the machine centre. If two tail lamps are used, the second lamp must be symmetrical with the left lamp location .



If the machine is more than 4 m (13 ft.) wide (as in the case of a combine or protruding axle stubs or dual or triple tires on a tractor), warning lamps must mark the extremities.



## Source

1998, PAMI *BeSafeBeSeen*, <http://pami.ca/beseenbesafe/beseen/nitetime1.htm>