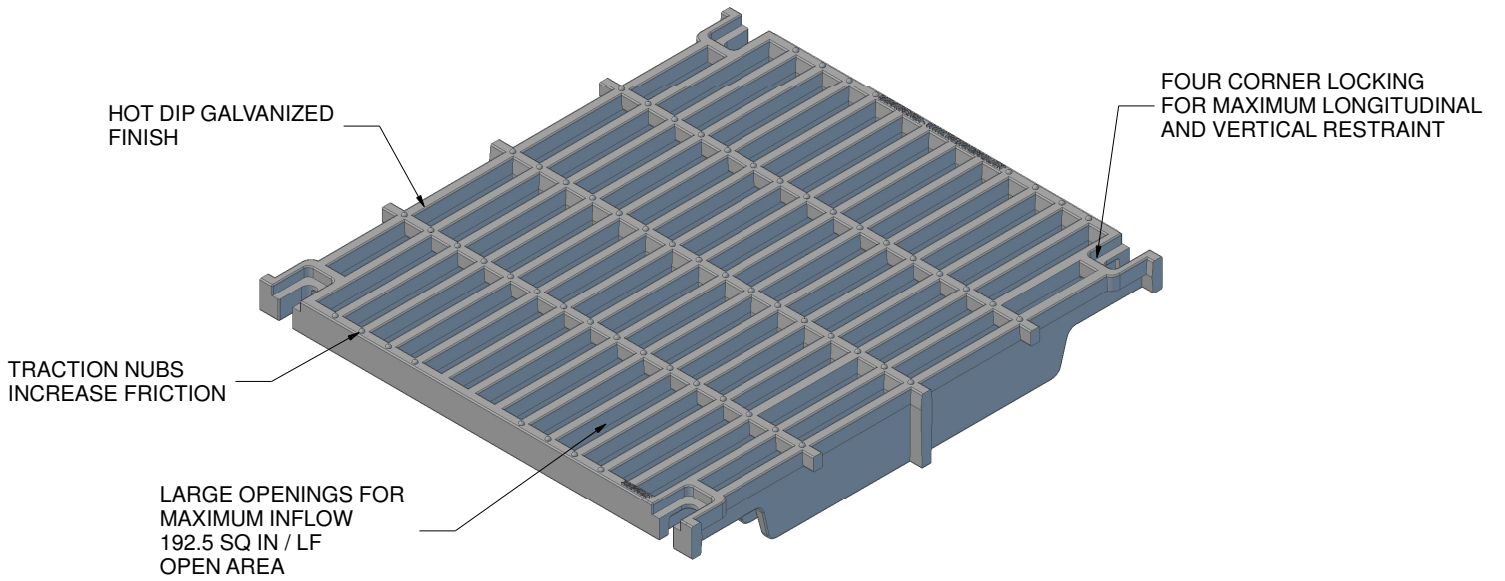
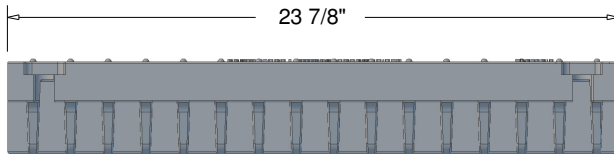


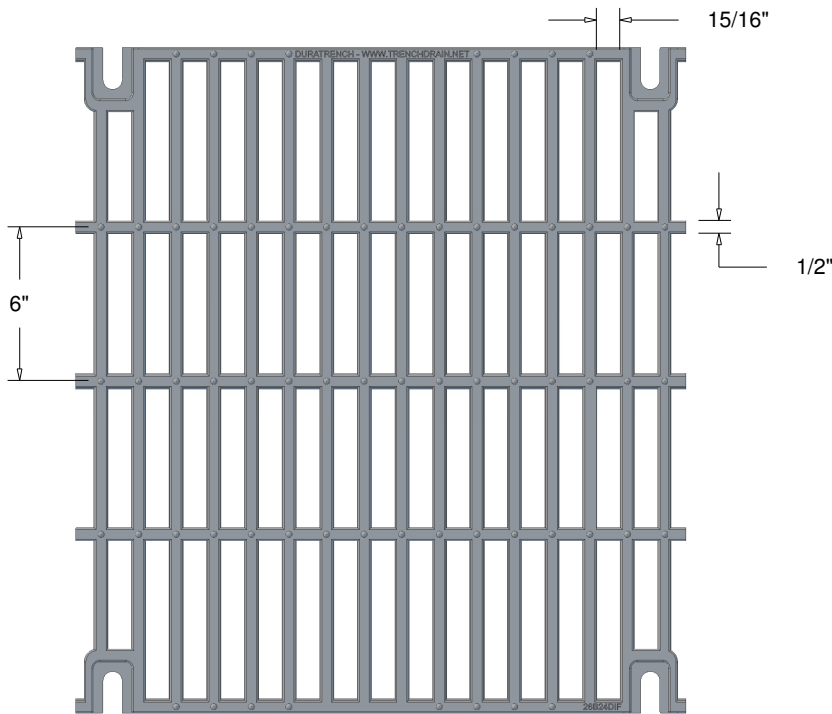
26" EXTREME DUTY SLOTTED GRATE



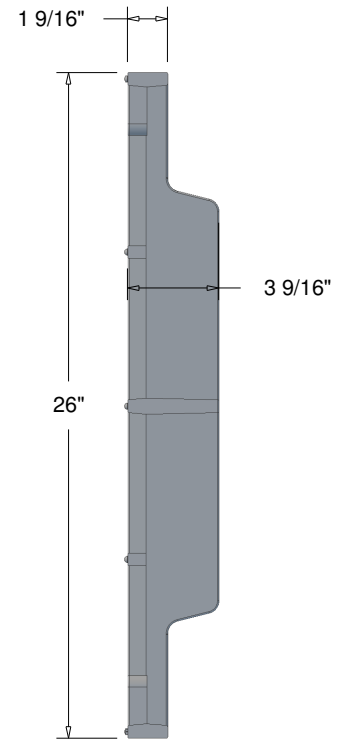
ISOMETRIC VIEW



SIDE VIEW



TOP VIEW



END VIEW

MATERIAL	DUCTILE IRON 65-45-12
COATING	HOT DIP GALVANIZED
LOCKING	4 QTY - 1/2" STAINLESS BOLTS
LOAD RATING	DIN CLASS F
ADA / HEEL GUARD	NO

STANDARD TOLERANCES
 0 = +/-0.25
 0.0 = +/-0.25
 0.00 = +/- 0.13



574c Industrial Way N.
 Dallas, GA 30132
 PH: 770-505-6575
www.trenchdrain.net