

Decoline DL-CR-RO-FR is a surface mounted corner aluminium profile with curved diffuser. At 16mm height and width, this linear solution, combined with our Nova linear LED series, has been designed for bookcases and under cabinet lighting.

Available with frosted (DL-CR-RO-FR) diffuser to produce an even spread of light.

Supplied in set lengths of 2 metres or bespoke lengths with Ecoled's tailor-made service.

Note: this product can be recessed if routed professionally.

PERFORMANCE SUMMARY

Physical construction

Materials - PROFILE: Anodised Aluminium DIFFUSER: Polycarbonate Frosted

Length - 2 metre standard lengths

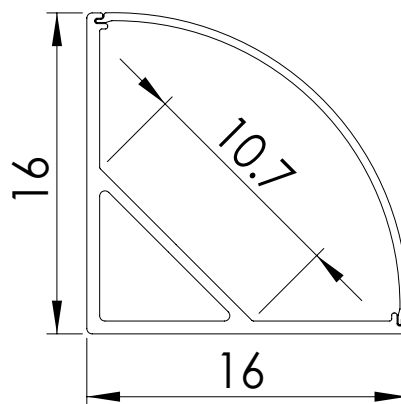
Width - 16 mm

Height - 16 mm

Fittings/Installations:

Extrusions can be fixed into place using countersink screws, straight into the extrusion. Or purchase fixing brackets that can be screwed/nailed into place, and the extrusion then clipped onto them.

DIMENSIONS



ACCESSORIES

END CAP SET	DL-CR-RO-EC
MOUNTING CLIP	DL-CR-RO-MC