



A precision engineered, recessed and incredibly subtle bezel with a diameter of only 60mm, powered by an interchangeable and highly dynamic Trimless Eyeconic light engine. The elegant small aperture is made from machined aluminium with a deep set, anti-glare, sculpted directional eyeball for high visual comfort. Available in narrow and medium light distribution beam

#### KEY FEATURES

- Bezel made from precision machined aluminium produced to the highest tolerances
- Unique elegant small aperture
- Anti-glare design
- This product tilts up to 28° with a 360° rotation within the housing
- Available in narrow and medium light distribution beam
- 4w -10w light engine options
- Sophisticated single LED array for uniform light output
- 3-step MacAdam colour consistency guarantee on LED's
- IP65 – suitable for Zone 1 bathrooms
- Supplied with smooth mains dimming driver as standard (trailing edge)
- White powder coated finish, with black and white directional eyeball
- 5 year warranty

#### OPTIONS

- Any RAL powder coated plus anodised finishes such as bronze on special order
- Available with a choice of drivers: Non-dim, Mains dim, 1-10, DALI
- 3hr maintained Emergency accessory

#### INSTALLATION

- Recessed, with 56 cut-out, using plaster mounting frame and push-fit luminaire mechanism



#### PERFORMANCE SUMMARY

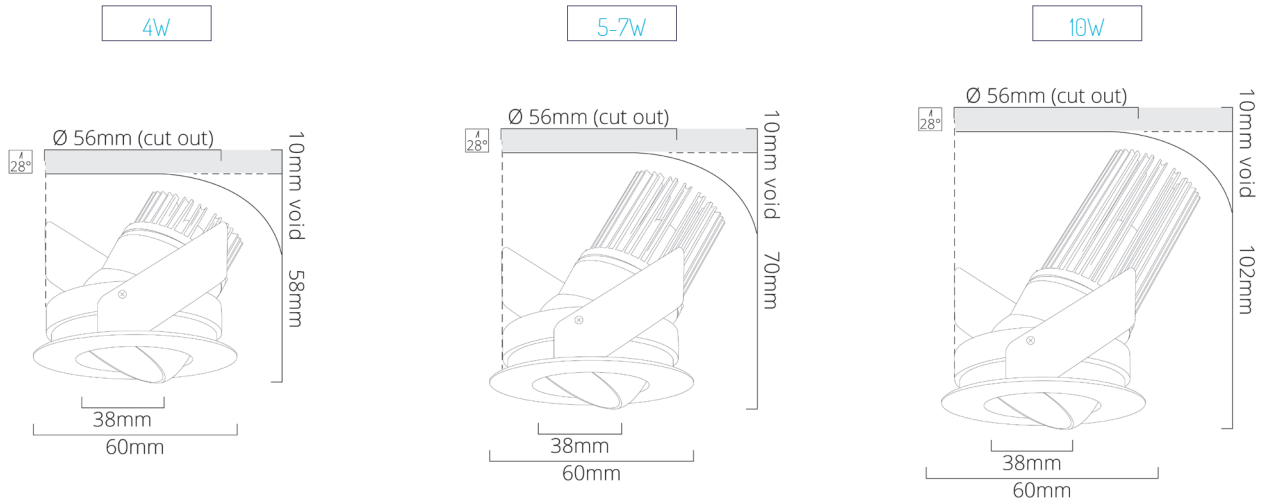
Chip	BRIDGELUX			
Colour Temperature	2700K / 3000K / 4000K			
Light Engine Wattage	4w**	5.5w**	7w	10w
Light Engine Lumens	246lm	323lm	552lm	895lm
Luminaire Lumens *	186lm	244lm	416lm	662lm
Power Consumption *	3.6w	5.34w	7.6w	10.9w
Efficacy (lm/w)	51.7lm/w	45.7lm/w	54.7lm/w	60.7lm/w
Driver Rating	1050mA	1500mA	350mA	350mA
Beam Angle	15° *** / 30° / 40°			
CRI	80+ / 90+		80+ / 95+	
Binning	3-step MacAdam ellipse			
Lumen Maintenance	LM80			

\* Value based on 3000K 30° optic & driver 85% efficiency. \*\* Driver must be installed remotely \*\*\* 15° beam angle only available on light engines up to 5.5W

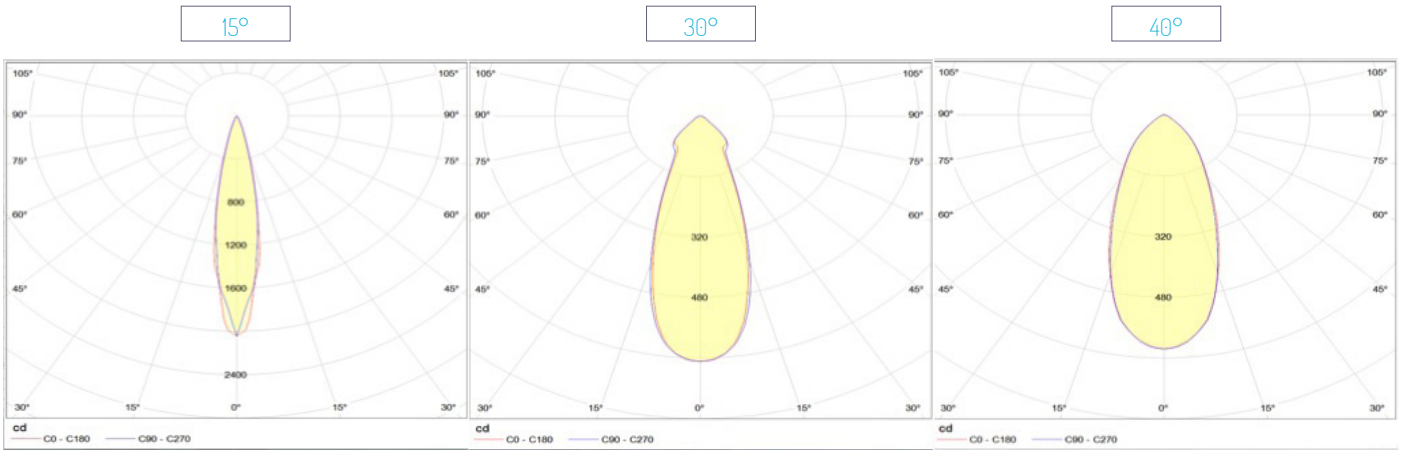
Photometric data independently tested by Lux - TSI Ltd. January 2015.



**DIMENSIONS**



**POLAR CURVES**



**PART CODE BUILDER**

Z6-I-MT

HOUSING COLOUR	OUTER EYEBALL	INNER EYEBALL	POWER	COLOUR TEMP	CRI	BEAM ANGLE	DIMMING
-B -W -R* -A*	-B -W -R*	-B -W -G -S -A*	4W -4 5W -5 7W -7 10W -10	-27 -30 -40	-80 -90 -95	15° -15** 30° -30 40° -40	-D -L -V -N

\* Please refer to the product builder on our website to specify the specific finish  
 \*\* 15° beam angle only available on light engines up to 5.5W

