

Decoline DL-CO-FR is a medium size aluminium coffer system profile. This slim linear solution has been designed to mount at the edge of a ceiling coffer. The thin curved edge enhances the height of a room as well as giving the illusion of artificial light. The profile has been engineered to frame our Nova linear series to wash indirect light up the ceiling.

Available with frosted diffuser (DL-CO-FR) to produce an even spread of light.

Supplied in set lengths of 2 metres or bespoke lengths with Ecoled's tailor-made service.

See our installation manual for fixing instructions.

PERFORMANCE SUMMARY

Physical construction

Materials - PROFILE: Anodised Aluminium DIFFUSER: Polycarbonate Frosted

Length - 2 metre standard lengths

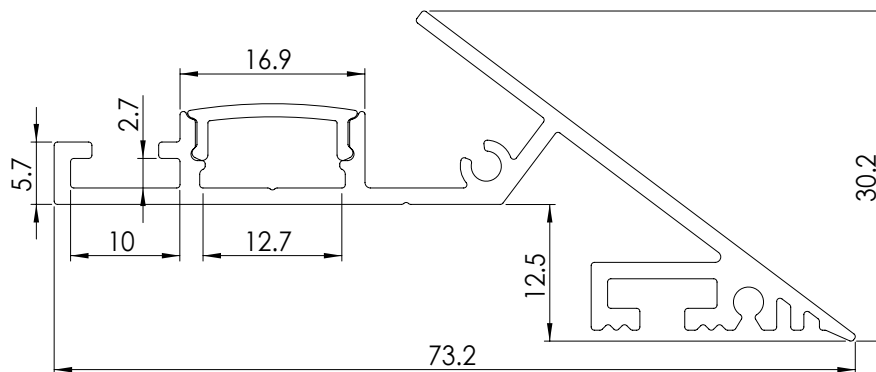
Width - 73.2 mm

Height - 30.2 mm

Fittings/Installations:

Extrusions can be glued or countersink screwed to the top of the coffer.

DIMENSIONS



ACCESSORIES

END CAP SET	DL-CO-EC
CONNECTOR	DL-CO-CONN