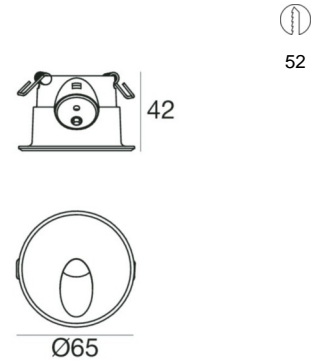




Wall Lights | 1 x powerLED 2,0 W 630 mA | CRI 80
86402W70



Technical data	
Installation position	Wall lights
Installation environment	Indoor
Light Source	LED
Optics	Flood
Power	2 W
Luminous flux (source)	233 lm
Current intensity	630mA
CCT / Tonalità	3000 K
Colour rendering index	80 Ra
C.C. / C.V.	CC
Energy class	A++
Safety class	3
IP	IP44
Glow wire test	850°
Direct mounting on normally flammable surfaces	Yes
CE	Yes
ETL	No
Operating temperature	-20°C / +50°C
Driver included	No
Induzione	No
Emergency mode	No
Directional	No
Tilting	No
Walk-over	No
Drive-over	No
Cable included	Yes
Cable length	1 m
Resin potting	Yes

Finishing casing

Material	Aluminium
Colour	nickel
Processing	Brushing

Electronics

	99115 1-10V N/O button Multi Power 190~250V AC / 180~275V DC
	99129 On/Off Driver 180~300V AC
	99105 On/Off Driver 180~300V AC
	99114 DALI Push and Simply Dim Multi Power 190~250V AC / 180~275V DC
	89147 On/Off Driver 190~250V AC / 180~275V DC

Wall Lights | 1 x powerLED 2,0 W 630 mA | CRI 80
86402W70

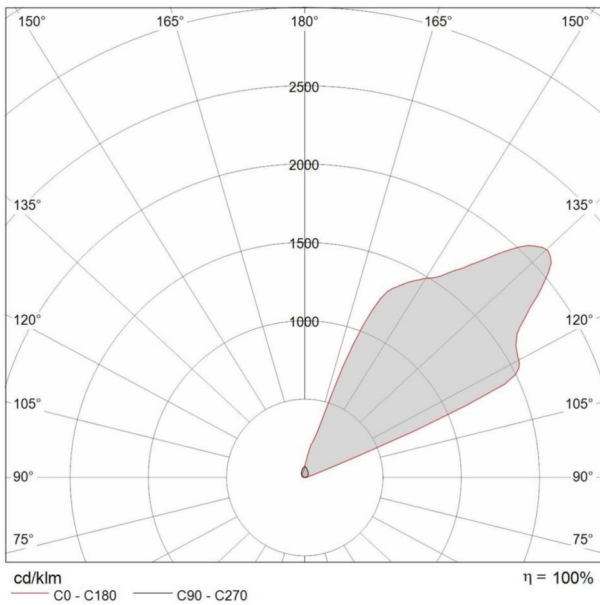
Single emission wall lights for indoor application. The warm white LED light source with a flood light distribution is composed of 1 powered LEDs with CCT of 3000 K and a CRI 80; the source luminous flux is 233 lm, with a 116.5 lm/W nominal luminous efficacy.

The device body is made of aluminium and features a nickel finish, processed by means of brushing. The ingress protection degree is IP44; the total weight is of 0.180 kg. The power supply driver is not provided and is to be ordered separately.

The total absorbed power is 2,0 W. The power supply cable is included and features.

The device features protection class III and can be wall lights-mounted, with a 52 mm diameter hole (in plasterboard) with an outer casing, code 84338(for concrete or masonry).

Illuminotechnical Features	
Light Output Ratio (LOR)	71 %
Luminous flux (source)	233 lm
Luminaire luminous flux	167 lm
Consumption	2,0 W
Luminaire efficacy	83 lm/W
Colour temperature	3000 K
Colour rendering index	80 Ra
Black Body Locus	On





Quara_R | Wall Lights | Accessories
86402W70



Outer casing
L=72mm, H=62.5mm, D=62.5mm

Code
84338