



POINT 1AS RD

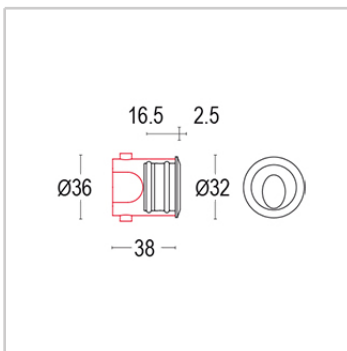
Ordering code	Finish
20505.50.31	Polished chrome
20505.01.31	White (matt)
20505.22.31	Silver grey (matt)
20505.19.31	Black (matt)
20505.45.31	Rust
20505.40.31	Stainless Steel

Recessed wall lamp with asymmetric light distribution. Ideal for lighting stairs, passageways and hallways. Body in cast aluminum finished in power coat paint with under layer protection which guarantees protection over time. IP 65 rating makes it ideal for installation in areas where protection against elevated humidity and water are necessary.



General

Product type	: Wall luminaires
Mounting	: Recessed wall
Environment	: Indoor
Application	: Hallways, Passageways

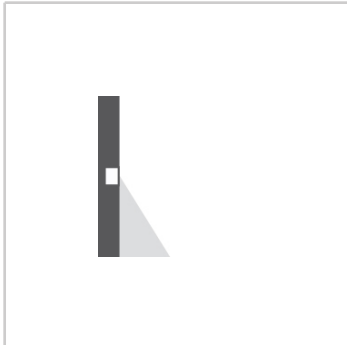


Electrical

Dimmable	: Not dimmable
Control gear availability	: Separate item
Control gear mounting	: Remote
Control gear type	: Electronic
Emergency current (mA)	: Without
	: 350

Physical

Fixture aiming	: Fixed
Cutout shape	: Round
Diameter (mm)	: 32
Recessed depth (mm)	: 38
Structure material	: Aluminum
Number of heads	: 1
Number of lamps	: 1




Optical

Light distribution	: Asymmetric
Beam angle (°)	: 80°
Diffuser material	: Polycarbonate

Lamps

Lamps description	: 1W LED 3000K CRI>85 120lm
-------------------	-----------------------------

Lamp category	ZVEI	Wattage (W)	Lampholder
 LED	LED	1	special base

Accessories



I dati fotometrici presenti nel sito si riferiscono al flusso della sorgente; consultate i file tecnici fotometrici per il flusso nominale dell'apparecchi.

The photometric data provided on this website are referred to the light source; the photometric data, of the luminaire, can be checked on the specific photometric file.