

Directional Antenna, 10.1 to 11.7 GHz, 37 dBi, 90 cm, (3 feet) Solid Dish

Solid Dish antenna 90 cm (3 feet) with 37 dBi gain at 10.1-11.7 GHz band, heavy duty mounting kit and adjustable supporting arm included.

QAD 1137 -90 SD has deep reflector dish and massive bracket which allows precise adjustment in both directions. Whole antenna system has extreme wind stability.



Radio Specifications

Frequency range	10.1 – 11.7 GHz
Gain – High band	37.0 ± 0.5 dBi
Gain – High band	37.5 ± 0.5 dBi
Side lobe level	≤ 15 dB
Front to back ratio	≥ 47 dB
Beamwidth-3 dB	2.3°
Polarization	Vertical / Horizontal
Return loss (VSWR)	≥ 18 dB (≤ 1,3)

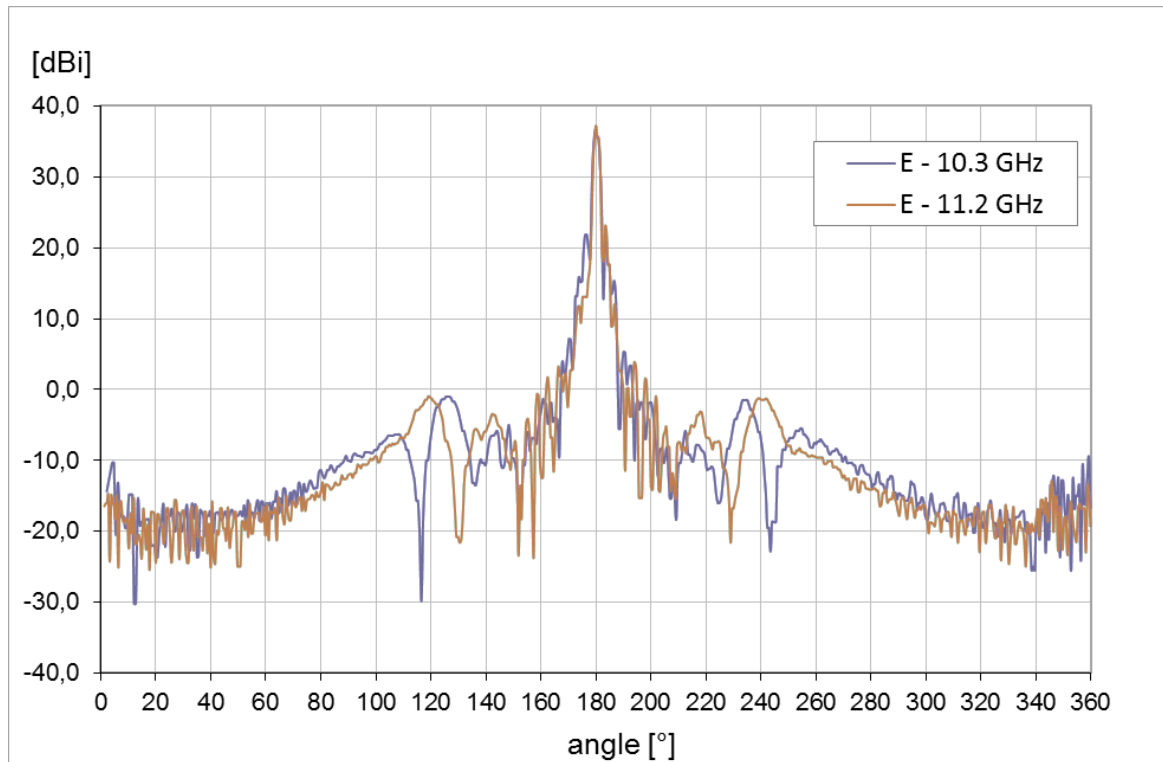
Mechanical Specifications

Parabola material	Aluminum Alloy
Size	90 cm (3 ')
Depth	33.1 cm
Radome material	UV resistant plastic ABS
Input/output	Circular waveguide 19 mm
Mast size allowed	40 - 120 mm
Operational wind load	140 km/h (130 mph)
Survival wind load	210 km/h (87 mph)
Antenna weight	7.8 Kg (16.8 lbs.)
Mounting Kit weight	4.3 Kg (9.48 lbs.)
Pack options	6 pack / 2 pack

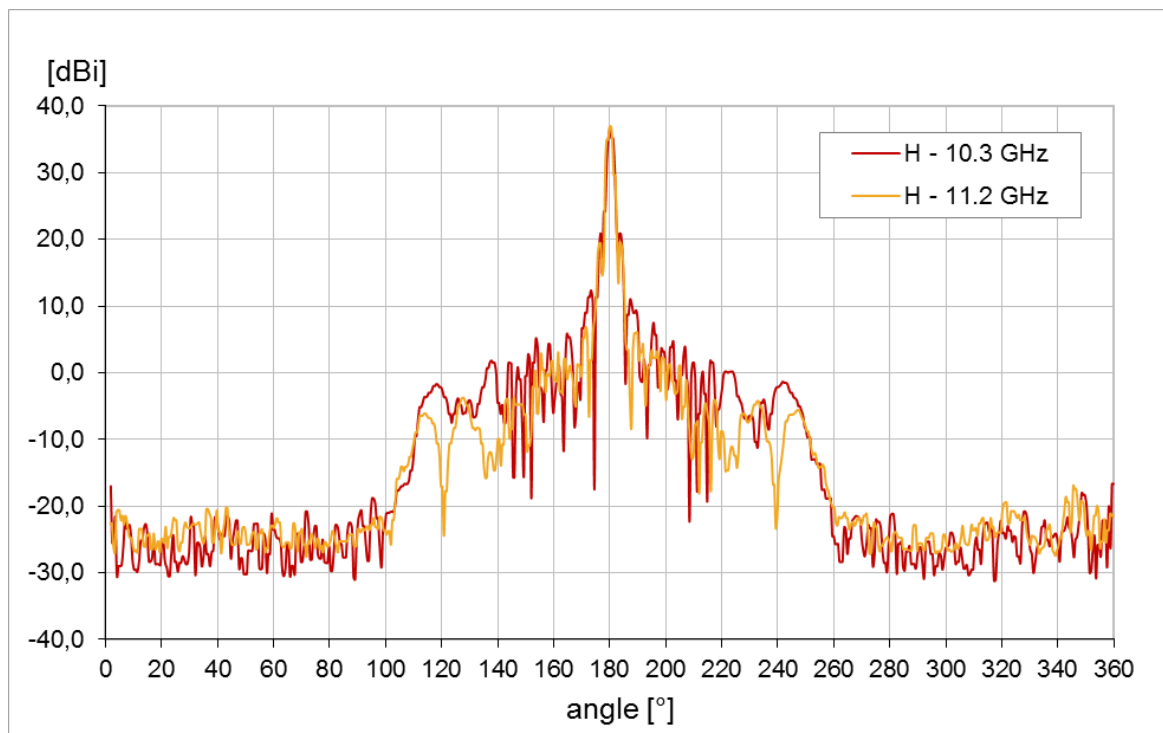


The antenna is supplied together with a bracket that allows easy mounting on a mast. Bracket can be installed separately on the mast. Subsequently, you can simply hang up the antenna with microwave unit into it. We recommend mounting on the mast with minimal \varnothing 70 mm in the areas with the occurrence of the adverse weather conditions. Bracket allows fine setting elevation (of gradient) and azimuth $\pm 20^\circ$. It is possible to mount to right and left side.

Radiation Patterns:

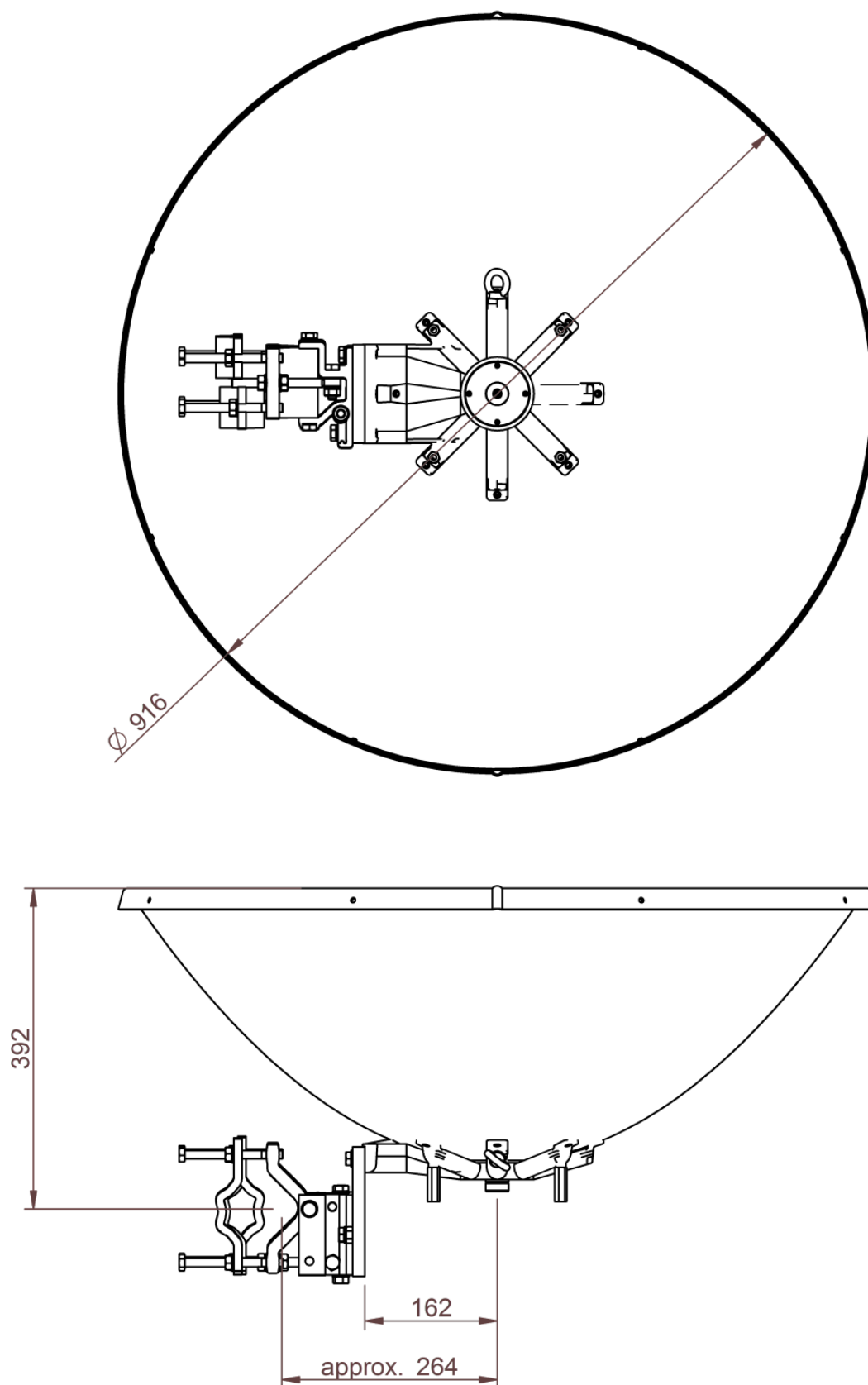


E-Plane Pattern (QAD 1137-90 SD)

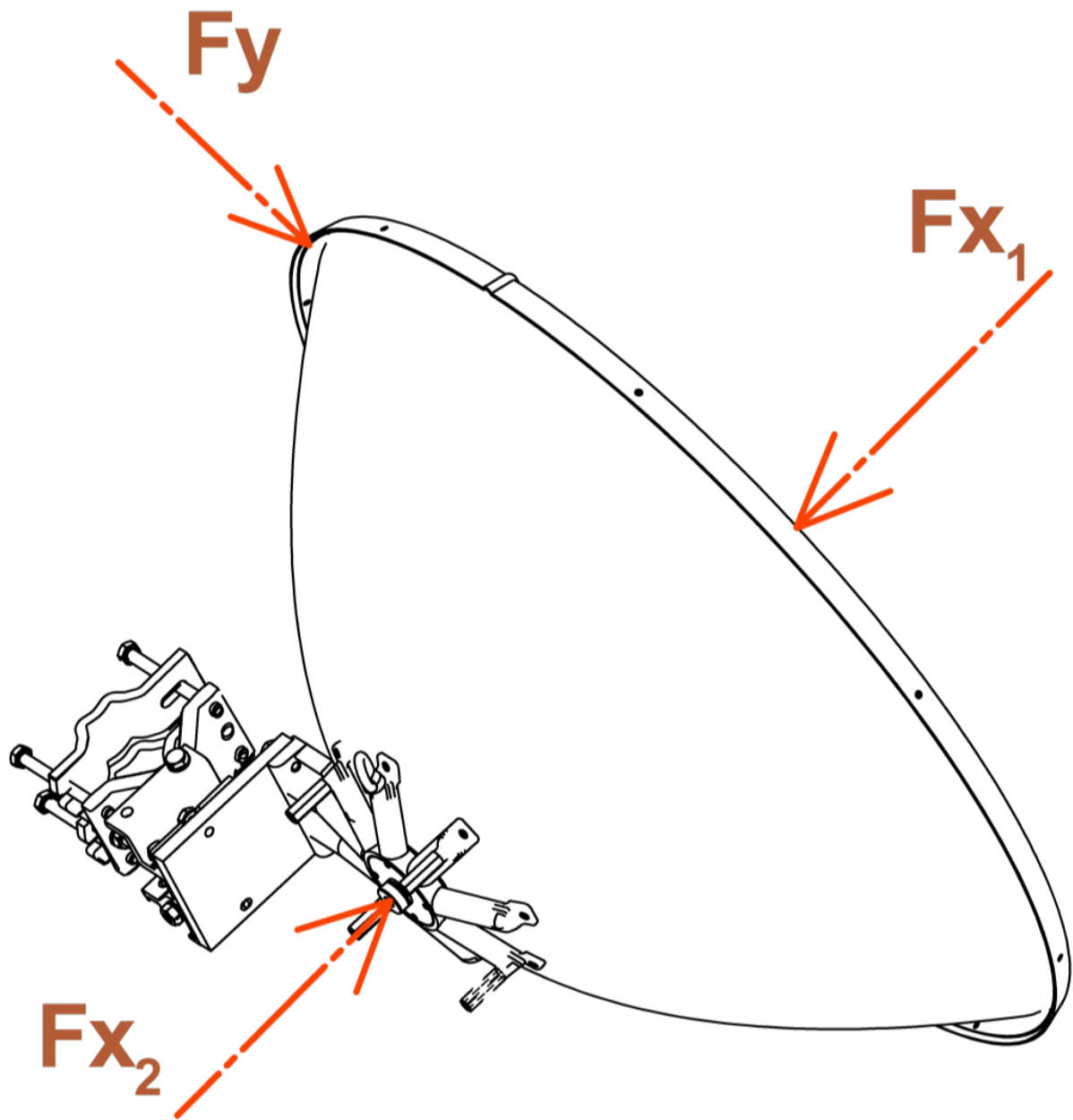


H-Plane Pattern (QAD 1137-90 SD)

Outline Dimensions:



Wind Load:



Wind Load at 200 km/h (125 mph)

Direction	Force
FX1	1443 N (325 lbf)
FX2	1324 N (298 lbf)
FY	91 N (20.5 lbf)