

DETECCIÓN DE PROBLEMAS

Durante la carga no se enciende el indicador LED verde del estado de carga de la batería

IMPORTANTE: El estado LED de la carga no se enciende mientras que usa el método de carga de la CC.

1. Verifique la conexión al cargador de 120 Voltios CA.
2. Verifique la conexión a la fuente de alimentación CA.
3. Confirme que hay corriente CA.

La unidad no funciona

1. El bulbo de halógeno pudo haber soplado. Compruebe el filamento del bulbo. Si el filamento es en espiral e intacto, el bulbo no está soplado. Si no, substituya el bulbo después de las instrucciones en este manual.
2. La batería puede estar descargada por completo. Cargue la unidad que sigue las direcciones en este manual.
3. Si el reflector no funciona después de recargarlo como se indica, contacto fabricante en (877) 571-2391.

ACCESORIOS

Los accesorios que se recomiendan para la herramienta están disponibles en su distribuidor local o en el centro de mantenimiento autorizado. Si necesita asistencia en relación con los accesorios, por favor contacto fabricante en (877) 571-2391.

ADVERTENCIA: El uso de accesorios no recomendados para utilizar con esta herramienta puede resultar peligroso.

INFORMACIÓN DE SERVICIO

Si usted necesita asesoramiento técnico, reparación, o una verdadera fábrica piezas de recambio, contacto con el fabricante en (877) 571-2391.

UNA GARANTÍA LIMITADA DEL AÑO

Fabricante garantiza este producto durante un año contra cualquier defectos en los materiales o mano de obra. El producto defectuoso será reemplazado o reparado en ningún cargo en cualquiera de dos maneras.

La primera opción, el reemplazo, es devolver el producto al comercio donde se lo adquirió (siempre y cuando se trate de un comercio participante). Las devoluciones deben realizarse conforme a la política de devolución del comercio (generalmente, entre 30 y 90 días posteriores a la venta). Prueba de compra puede ser necesaria. Consulte en el comercio acerca de la política especial sobre devoluciones una vez excedido el plazo establecido. La segunda opción es devolver el producto (pagados) al fabricante de reparación o sustitución en nuestra opción. Prueba de compra puede ser necesaria.

Esta garantía no se extiende a los accesorios. Esta garantía le concede derechos legales específicos; usted puede tener otros derechos que pueden variar según el estado o la provincia. Este producto no está diseñado para uso comercial.

ESPECIFICACIONES

Bombillo para reflector:	12 voltios y 100 vatios de tipo H3
Batería:	Ácido de plomo sellado, 12 voltios, 3 amperios por hora (no requiere mantenimiento)
Entrada de CA:	120Vac, 60Hz, 9W
Entrada de CC:	12Vdc, 8A

Importados por
Baccus Global
399 NW 2nd Avenue, Suite 150,
Boca Raton, FL 33432
(877) 571-2391

RD042809

STANLEY®

SL2M09

2M SERIES SPOTLIGHT INSTRUCTION MANUAL

LINTERNA DE SERIE 2M MANUAL DE INSTRUCCIÓN



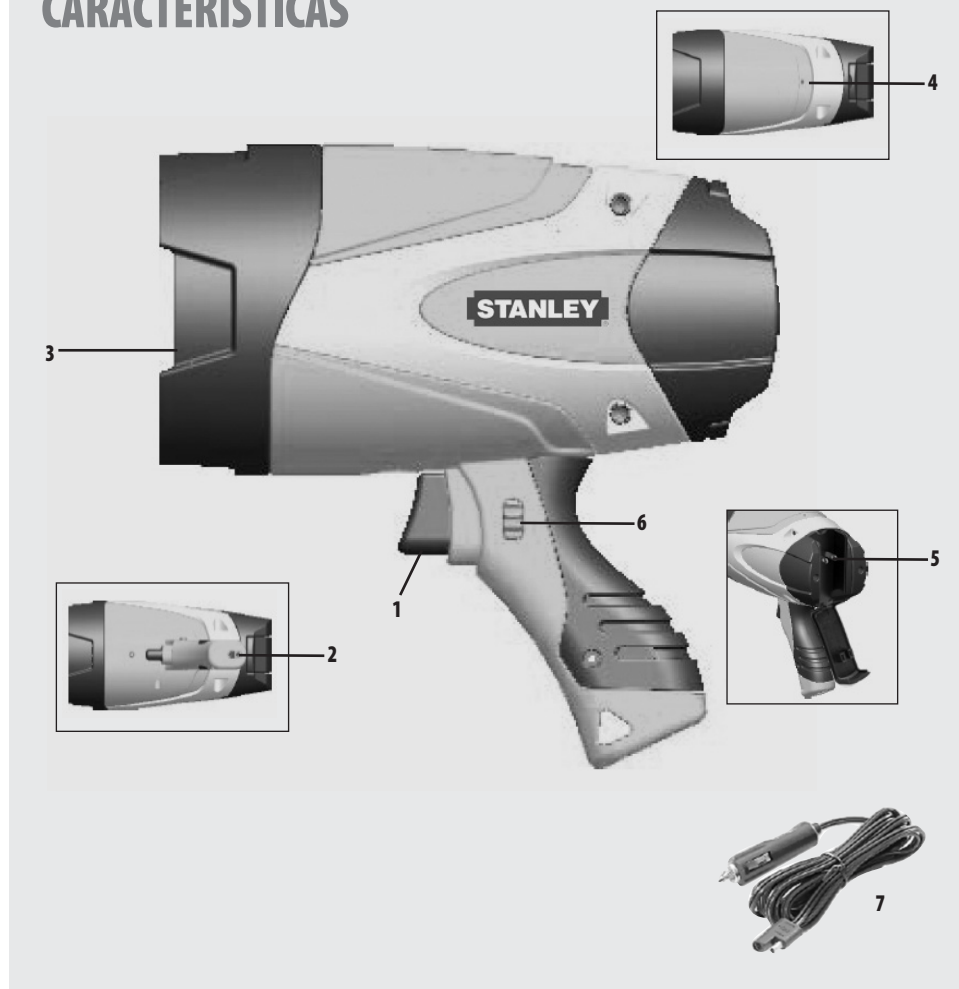
English page 3
Español página 8

**SAVE THIS INSTRUCTION MANUAL FOR FUTURE REFERENCE.
CONSERVE ESTE MANUAL PARA FUTURAS CONSULTAS.**

© 2009 Baccus Global
Boca Raton, FL 33432
Customer Service: (877) 571-2391



FEATURES CARACTERÍSTICAS



FEATURES

1. On/Off trigger
2. DC charging port
3. Quartz halogen bulb
4. Charge status LED indicator
5. 120 volt AC charger (back of unit)
6. Trigger lock
7. 12 volt DC charger (optional accessory)
8. Carry lanyard (not shown) (optional accessory)

CARACTERÍSTICAS

1. Disparador de encendido/apagado
2. Puerto de recarga de CC
3. Bombillo de halógeno de cuarzo
4. Indicador del LED del estado de la carga de la batería
5. Cargador de ca de 120 Voltios (posterior de la unidad)
6. Cerradura del disparador
7. Cargador de la CC de 12 voltios (accesorio opcional)
8. Cordón para llevar el reflector (no demostrado) (accesorio opcional)

This device complies with part 15 of the FCC rules. Operation is subject to the following two conditions: (1) this device may not cause harmful interference, and (2) this device must accept any interference received, including interference that may cause undesired operation.

This equipment has been tested and found to comply with the limits for a Class B digital device, pursuant to part 15 of the FCC Rules. These limits are designed to provide reasonable protection against harmful interference in a residential installation. This equipment generates, uses and can radiate radio frequency energy and, if not installed and used in accordance with the instructions, may cause harmful interference to radio communications. However, there is no guarantee that interference will not occur in a particular installation. If equipment does cause harmful interference to radio or television reception, which can be determined by turning the equipment off and on, the user is encouraged to try to correct the interference by one or more of the following measures:

- Reorient or relocate the receiving antenna.
- Increase the separation between equipment and receiver.
- Connect the equipment into an outlet on a circuit different from that to which the receiver is connected.
- Consult the dealer or an experienced radio/TV technician for help.

GENERAL SAFETY WARNINGS AND INSTRUCTIONS

READ ALL INSTRUCTIONS

WARNING: Read all instructions before operating spotlight. Failure to follow all instructions listed below may result in electric shock, fire and/or serious injury.

SAFETY GUIDELINES / DEFINITIONS

DANGER: Indicates an imminently hazardous situation which, if not avoided, will result in death or serious injury.

WARNING: Indicates a potentially hazardous situation which, if not avoided, could result in death or serious injury.

CAUTION: Indicates a potentially hazardous situation which, if not avoided, may result in minor or moderate injury.

CAUTION: Used without the safety alert symbol indicates potentially hazardous situation which, if not avoided, may result in property damage.

RISK OF UNSAFE OPERATION. When using tools or equipment, basic safety precautions should always be followed to reduce the risk of personal injury. Improper operation, maintenance or modification of tools or equipment could result in serious injury and property damage. There are certain applications for which tools and equipment are designed. Manufacturer strongly recommends that this product NOT be modified and/or used for any application other than for which it was designed. Read and understand all warnings and operating instructions before using any tool or equipment.

IMPORTANT SAFETY INSTRUCTIONS

WARNING: This product or its power cord contains lead, a chemical known to the State of California to cause cancer and birth defect or other reproductive harm. Wash hands after handling.

INSTRUCTIONS PERTAINING TO A RISK OF FIRE, ELECTRIC SHOCK, EXPOSURE TO EXCESSIVE UV RADIATION, OR INJURY TO PERSONS

Lighted lamp is HOT.

WARNING – TO REDUCE THE RISK OF FIRE, ELECTRIC SHOCK, EXPOSURE TO EXCESSIVE UV RADIATION, OR INJURY TO PERSONS:

- Turn off/unplug and allow to cool before replacing the Halogen bulb.
- Halogen bulb gets HOT quickly!
- Do not touch the bulb at any time when operating.
- Only contact switch/plug when turning on.
- Do not touch hot lens or enclosure.
- Do not remain in light if skin feels warm.
- Use only with a 12 volt/100 watt or smaller halogen bulb.
- When changing bulb, use a soft cloth. Oil from skin may damage bulb.
- Do not operate the spotlight with a missing or damaged lens or enclosure.

WARNING – WHEN USING ELECTRICAL APPLIANCES, BASIC PRECAUTIONS SHOULD ALWAYS BE FOLLOWED, INCLUDING THE FOLLOWING:

- To reduce the risk of injury, close supervision is necessary when the spotlight is used near children.
- Use only attachments recommended or sold by the manufacturer.

WARNING: TO REDUCE THE RISK OF ELECTRIC SHOCK:

- Do not put spotlight in water or other liquid. Do not place or store appliance where it can fall or be pulled into a tub or sink.
- Do not clean this appliance with a water spray or the like.
- Use only the charger supplied by the manufacturer to recharge.

- When an extension cord is used:
 - The marked rating of the detachable power supply cord or extension cord should be at least as great as the electrical rating of this appliance.
 - The cord should be arranged so that it will not drape over the countertop or tabletop where it can be tripped over, snagged, or pulled on unintentionally (especially by children).
 - The extension cord should be kept dry and off the ground.
 - Make sure your extension cord is in good condition. When using an extension cord, be sure to use one heavy enough to carry the current your product will draw. An undersized cord will cause a drop in line voltage resulting in loss of power and overheating. The following table shows the correct size to use depending on cord length and nameplate ampere rating. If in doubt, use the next heavier gage. The smaller the gage number, the heavier the cord.
 - When tool is used outdoors, use only extension cords intended for use outdoors and so marked.

MINIMUM GAGE FOR CORD SETS				
Volts		Total Length of Cord in Feet		
120V	0-25 (0-7,6m)	26-50 (7,6-15,2m)	51-100 (15,2-30,4m)	101-150 (30,4-45,7m)
240V	0-50 (0-15,2m)	51-100 (15,2-30,4m)	101-200 (30,4-60,9m)	201-300 (60,9-91,4m)
Ampere Rating		American Wire Gage		
More Than	Not more Than			
0 -	6	18	16	16
6 -	10	18	16	14
10 -	12	16	16	14
12 -	16	14	12	Not Recommended

WARNING: FIRE HAZARD: Never contact combustible material to the lens and never tape or tie the switch in the on position.

CAUTION: TO REDUCE THE RISK OF INJURY OR PROPERTY DAMAGE:

- All halogen lights give off heat:
 - Do not touch lens while operating.
 - Keep combustibles away from spotlight lens. Extreme heat can cause fires.
 - Never place the light face-down on any surface when lit.
- Never look directly into the light or shine the light into another person's eyes.
- Keep sharp objects away from lens — it is glass and can break.
- Do not immerse spotlight in water.
- Do not expose this unit to extremely high temperatures.
- Do not drop or throw spotlight. It contains glass and a sealed lead acid battery.
- Use only with AC or DC charging adapters that are provided with unit. Plug in the charging adapter at the spotlight first, then plug into the charging source.
- **DO NOT OVERCHARGE: CHARGE UP TO 20 HOURS MAXIMUM USING THE AC CHARGING METHOD; UP TO 7 HOURS MAXIMUM USING THE DC CHARGING METHOD.**
- **NEVER ATTEMPT TO USE THE AC CHARGER AND DC CHARGING PORT SIMULTANEOUSLY.**
- After charging/recharging, disconnect charging adapter or extension cord and wait 5 minutes before use.
- Do not crush, cut, pull or expose charging adapter cords to extreme heat.
- Position charging adapter cords so they do not become entangled or become a safety hazard. Keep charging adapter cords away from sharp edges.
- Use in a dry location only.
- Except for the bulb, there are no user-serviceable parts inside. Do not attempt to disassemble any other parts of the unit.
- To reduce risk of damage to electric plug and cord, pull by plug rather than cord when disconnecting.
- Do not attempt to charge the unit if the 120 volt AC charger plug is damaged – return the unit to manufacturer for repair.

SAVE THESE INSTRUCTIONS

INTRODUCTION

Congratulations on purchasing your new spotlight. **Read this Instruction Manual and follow the instructions carefully before using your new spotlight.**

CHARGING/RECHARGING THE SPOTLIGHT

This unit is shipped in a partially charged state. Charge unit BEFORE first use using the 120 volt AC charger for 20 hours. The charge status LED flashes while charging and lights solid when the unit is fully charged while using the AC charging method. Charge after each use.

Charging/recharging using the 120 volt AC charger and a standard household extension cord (not included)

- Make sure the spotlight is off (the trigger lock is in the off position and the trigger is not depressed).

- Plug a standard North American 120 volt AC extension cord (not included) into the 120 volt AC charger on the back of the unit.
- Charge until the charge status LED lights solid (approximately 20 hours).

Charging/recharging using the 12 volt DC charger (optional accessory)

- Make sure the spotlight is off (the trigger lock is in the off position and the trigger is not depressed).
- Plug the double pin tip of the 12 volt DC charger into the 12 volt DC charging port.
- Insert the 12 volt DC plug end into the accessory outlet of your vehicle or other 12 volt DC power source.
- Charge for approximately 5-7 hours.

Make sure the DC source (jump-starter, battery pack, vehicle accessory outlet, etc.) is 12 volt DC and is able to supply at least one half amp at 12 volt DC for 7 hours. This means a battery pack should be charged with at least 3.5 amp hours capacity.

Notes: When using a vehicle's 12 volt DC accessory outlet as a charging source, be aware that some vehicles require you to turn on the ignition to power the accessory outlet.

The charge status LED does not light while using the DC charging method.

WARNINGS:

- TO AVOID THE RISK OF PROPERTY DAMAGE, CHARGE UP TO 20 HOURS **MAXIMUM** USING THE AC CHARGING METHOD; UP TO 7 HOURS **MAXIMUM** USING THE DC CHARGING METHOD.
- NEVER ATTEMPT TO USE THE AC CHARGER AND DC CHARGING PORT SIMULTANEOUSLY.

OPERATING INSTRUCTIONS

Operating the spotlight

1. Disconnect from charger.
2. The On/Off trigger is located in the front of the handle of the spotlight.
3. To turn the spotlight on, squeeze the trigger.
4. To turn off the spotlight, release the trigger.

Note: The On/Off trigger can be locked in the on position using the trigger lock switch on the side of the unit.

Operating the unit corded

Plug the double pin tip of the 12 volt DC charger (optional accessory) into the 12 volt DC charging port. Insert the 12 volt DC plug end into the accessory outlet of your vehicle or other 12 volt DC power source. Operate the unit as outlined in the previous section.

IMPORTANT: The spotlight will operate while the 120 volt AC charger is attached, but will continue to draw power from the unit's acid battery and will not continue charging while the spotlight operates. Manufacturer recommends only operating the unit in corded mode using the 12 volt DC charger.

CARE AND MAINTENANCE

All batteries lose energy from self-discharge over time and more rapidly at higher temperatures. When the unit is not in use, we recommend that the battery is charged at least every 120 days.

Never submerge the unit in water. If the unit gets dirty, gently clean the outer surfaces of the spotlight unit with a soft cloth moistened with a mild solution of water and detergent.

Except for the H3, 100 watt bulb, there are no user-replaceable parts. Periodically inspect the condition of adapters, connectors and wires. Contact manufacturer to replace any components that have become worn or broken.

Battery replacement/disposal

BATTERY REPLACEMENT

The battery should last the service life of the unit. Contact manufacturer for any information you may need.

SAFE BATTERY DISPOSAL

Contains a maintenance-free, sealed, non-spillable, lead acid battery, which must be disposed of properly. Recycling is required, contact your local authority for information. Failure to comply with local, state and federal regulations can result in fines, or imprisonment.

To locate a free recycling program collection center near you, go to www.call2recycle.org.

WARNINGS:

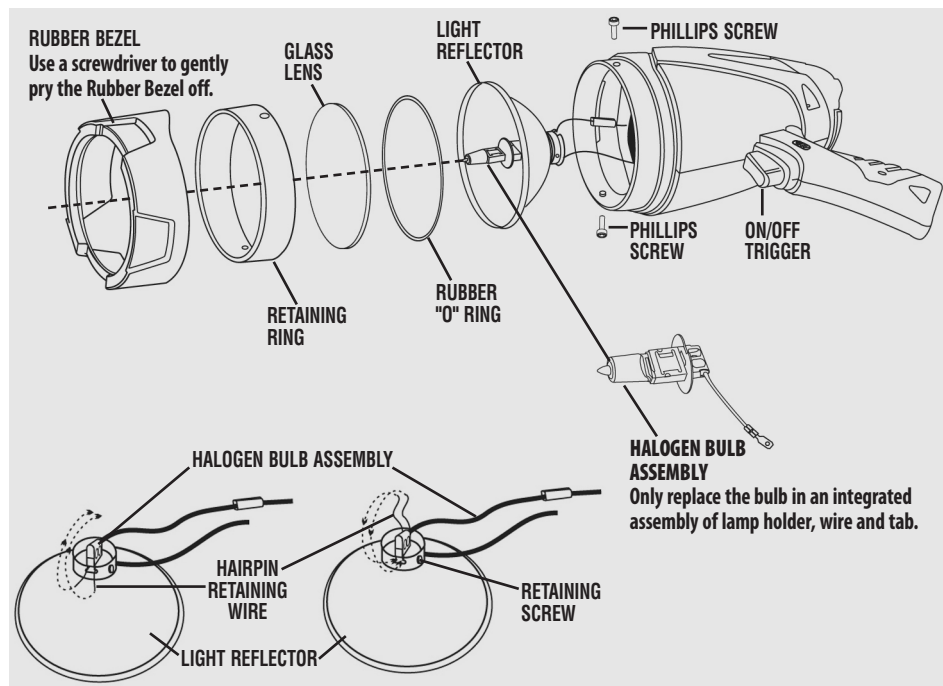
- Do not dispose of the battery in fire as this may result in an explosion.
- Before disposing of the battery, protect exposed terminals with heavy-duty electrical tape to prevent shorting (shorting can result in injury or fire).
- Do not expose battery to fire or intense heat as it may explode.

Spotlight Bulb Replacement (Diagram Follows)

To replace the bulb, you will need a small Phillips screwdriver and a 12 volt, H3 100 watt replacement bulb. During installation, avoid touching the glass part of the bulb. Bulb life may be shortened by installing a bulb with dirt or fingerprints on it. The bulb can be wiped clean with a cloth moistened with alcohol.

1. Disconnect the unit from any charging adapters.





10. Insert the replacement bulb into the reflector's flange.
11. Put back and secure the hairpin retaining wires.
12. Connect the bulb power wire to the red power wire.
13. Tighten the retaining screw on the flange.
14. Place the reflector in position in the body of the spotlight.
15. Replace the rubber "O" ring in the groove around the perimeter of the reflector.
16. Replace glass and retaining ring so the screw holes are aligned.
17. Secure retaining ring with two screws.
18. Replace rubber bezel.
19. Operate switch to ensure proper operation of spotlight.

WARNING: To reduce the risk of electric shock, replace bulb with 12 volt, H3 100 watt only.

12 volt DC charger plug fuse replacement

The fuse in the plug end of the 12 volt DC charger protects the adapter's charging circuit. If the 120 volt AC charger operates, but the DC charging adapter does not, then this fuse may be opened (blown).

To replace the fuse:

1. Unscrew the end cap of the DC plug (counterclockwise).
2. Remove spring center contact and fuse.
3. Check fuse with a continuity checker.
4. If blown, locate a replacement 10 amp/250 volt fuse.
5. Replace the fuse, spring, contact and end cap.
6. Screw end cap clockwise until it is finger tight – DO NOT OVER-TIGHTEN.
7. Test for proper operation of the 12 Volt DC Charging Adapter.

TROUBLESHOOTING

The charging status indicator LED does not flash when charging

IMPORTANT: The charge status LED does not light while using the DC charging method.

1. Check connection to the 120 volt AC charger.
2. Check connection to AC power source.
3. Confirm there is a functioning AC current.

Unit will not operate

1. The halogen bulb may have blown. Check bulb filament. If the filament is coiled and unbroken, the bulb is not blown. Otherwise, replace the bulb following the instructions in this manual.
2. The battery may be completely discharged. Charge the unit following the directions in this manual.
3. If the spotlight does not operate after recharging as directed, contact manufacturer at (877) 571-2391.

ACCESSORIES

Recommended accessories for use with your tool are available from your local dealer or authorized service center. If you need assistance regarding accessories, please contact manufacturer at (877) 571-2391.

WARNING: The use of any accessory not recommended for use with this tool could be hazardous.

SERVICE INFORMATION

Whether you need technical advice, repair, or genuine factory replacement parts, contact the manufacturer at (877) 571-2391.

ONE-YEAR LIMITED WARRANTY

Manufacturer warrants this product for one year against any defects in material or workmanship. The defective product will be replaced or repaired at no charge in either of two ways.

The first, which will result in exchanges only, is to return the product to the retailer from whom it was purchased (provided that the store is a participating retailer). Returns should be made within the time period of the retailer's policy for exchanges (usually 30 to 90 days after the sale). Proof of purchase may be required. Please check with the retailer for their specific return policy regarding returns that are beyond the time set for exchanges. The second option is to return the product (prepaid) to the manufacturer for repair or replacement at our option. Proof of purchase may be required.

This warranty does not apply to accessories. This warranty gives you specific legal rights and you may have other rights which vary from state to state or province to province. This product is not intended for commercial use.

SPECIFICATIONS

Spotlight Bulb:	12 volt, H3 series, 100 watt
Battery:	Maintenance-free, sealed lead acid, 12 volt, 3 amp hour
AC input:	120Vac, 60Hz, 9W
DC input:	12Vdc, 8A

Imported by
Baccus Global
399 NW 2nd Avenue, Suite 150,
Boca Raton, FL 33432
(877) 571-2391

RD042809

Este dispositivo cumple con la parte 15 de las normas de la Comisión Federal de Comunicaciones de Estados Unidos (FCC). La operación está sujeta a las dos condiciones siguientes: (1) este dispositivo no puede causar interferencia perjudicial y (2) este mecanismo debe aceptar cualquier interferencia recibida, incluida la interferencia que puede provocar una operación no deseada.

Este equipo ha sido probado y se encontró que cumple con los límites para dispositivo digital Clase B, según la parte 15 de las normas de la FCC. Estos límites están diseñados para brindar protección razonable contra interferencia perjudicial en una instalación residencial. Este equipo genera, usa y puede irradiar energía en frecuencia de radio y, si no se instala y se usa de acuerdo con las instrucciones, puede provocar interferencia perjudicial en las comunicaciones de radio. Sin embargo, no hay garantía de que la interferencia no ocurra en una instalación en particular. Si el equipo provoca interferencia perjudicial en la recepción de radio o televisión, lo que se puede determinar al apagar y encender el equipo, el usuario debe tratar de corregir la interferencia mediante una o más de las siguientes medidas:

- Cambiar la orientación o la ubicación de la antena de recepción.
- Aumentar la separación entre el equipo y el receptor.
- Conectar el equipo a un tomacorriente sobre un circuito diferente de aquel al que está conectado el receptor.
- Consultar al vendedor o pedir la ayuda de un técnico en radio y televisión con experiencia.

ADVERTENCIAS E INSTRUCCIONES DE SEGURIDAD GENERALES

LEA LAS INSTRUCCIONES

ADVERTENCIA: Lea todas las instrucciones antes de operar el linterna. El incumplimiento de todas las instrucciones enumeradas a continuación puede provocar una descarga eléctrica, un incendio o lesiones graves.

NORMAS DE SEGURIDAD / DEFINICIONES

PELIGRO: Indica una situación de peligro inminente que, si no se evita, provocará la muerte o lesiones graves.

ADVERTENCIA: Indica una situación de peligro inminente que, si no se evita, provocará la muerte o lesiones graves.

PRECAUCIÓN: Indica una situación de peligro potencial que, si no se evita, puede provocar lesiones leves o moderadas.

PRECAUCIÓN: Utilizado sin el símbolo de alerta de seguridad indica una situación de peligro potencial que, si no se evita, puede provocar daños en la propiedad.

RIESGO DE OPERACIÓN INSEGURA. Cuando se utilizan herramientas o equipos, siempre se deben respetar las precauciones de seguridad para reducir el riesgo de lesiones personales. La operación, el mantenimiento o la modificación incorrectos de herramientas o equipos pueden provocar lesiones graves y daños a la propiedad. Las herramientas y los equipos están diseñados para determinados usos. Fabricante recomienda encarecidamente que NO se modifique este producto y que NO se utilice para ningún otro uso que aquel para el que fue diseñado. Lea y comprenda todas las instrucciones operativas y las advertencias antes de utilizar cualquier herramienta o equipo.

INSTRUCCIONES IMPORTANTES SOBRE SEGURIDAD

ADVERTENCIA: Este producto o su cable de alimentación contiene plomo, una sustancia química reconocida por el Estado de California como causante de cáncer, defectos de nacimiento u otros problemas reproductivos. Lávese las manos después de utilizarlo.

INSTRUCCIONES REFERENTE A UN RIESGO DE FUEGO, DE DESCARGA ELÉCTRICA, DE EXPOSICIÓN A LA RADIACIÓN ULTRAVIOLETA EXCESIVA, O DE LESIÓN A LAS PERSONAS

La lámpara encendida es CALIENTE.

ADVERTENCIA - REDUCIR EL RIESGO DE FUEGO, DE DESCARGA ELÉCTRICA, DE EXPOSICIÓN A LA RADIACIÓN ULTRAVIOLETA EXCESIVA, O DE LESIÓN A LAS PERSONAS:

- Apague/desenchufe y permita refrescarse antes de substituir el bulbo de halógeno.
- ¡El bulbo de halógeno consigue CALIENTE rápidamente!
- No toque el bulbo en cualquier momento al funcionar.
- Entre en contacto con solamente el interruptor/el enchufe al girarse.
- No toque la lente caliente o el recinto.
- No siga siendo en luz si la piel siente caliente.
- Utilice solamente con 12 voltios/100 vatios o un bulbo de halógeno más pequeño.
- Al cambiar el bulbo, utilice un paño suave. El aceite de la piel puede dañar el bulbo.
- No funcione el proyector con desaparecidos o una lente dañada o un recinto.

ADVERTENCIA – AL USAR APLICACIONES ELÉCTRICAS, LAS PRECAUCIONES DEL BASIC SE DEBEN SEGUIR SIEMPRE, INCLUYENDO EL SIGUIENTE:

- Reducir el riesgo de lesión, la supervisión cercana es necesaria cuando una aplicación se utiliza cerca de niños.
- Utilice solamente los accesorios recomendados o vendidos por el fabricante.

ADVERTENCIA: PARA REDUCIR EL RIESGO DE DESCARGA ELÉCTRICA:

- No ponga el proyector en el agua o el otro líquido. No coloque ni almacene la aplicación donde puede bajar o ser tirado en una tina o un fregadero.
- No limpie el linterna con una aspersión de agua o similares.
- Utilice solamente el cargador provisto por el fabricante a la recarga.
- Cuando un cable de extensión es utilizada:
 - El grado marcado de la cuerda desmontable de la fuente de alimentación o de la cuerda de la extensión debe ser por lo menos tan grande como el grado eléctrico de esta aplicación.
 - La cuerda debe ser arreglada de modo que no cubra sobre el countertop o el tablero de la mesa donde puede ser disparada encima, snagged, o tiró en inintencionalmente (especialmente por los niños).
 - La cuerda de la extensión se debe mantener seca y de la tierra.
 - Asegúrese de que el cable prolongador esté en buenas condiciones. Cuando utilice un cable prolongador, asegúrese de que tenga la capacidad para conducir la corriente que su producto exige. Un cable de menor capacidad provocará una disminución en el voltaje de la línea, lo cual producirá una pérdida de potencia y sobrecalentamiento. La siguiente tabla muestra la medida correcta que debe utilizar según la longitud del cable y la capacidad nominal en amperios indicada en la placa. En caso de duda, utilice el calibre inmediatamente superior. Cuanto menor es el número de calibre, más grueso es el cable.
 - Cuando utilice la herramienta al aire libre, utilice solamente cables prolongadores diseñados para su uso al aire libre o marcados como tales.

CALIBRE MÍNIMO PARA LOS JUEGOS DE CABLES

Voltios	Largo total del cable en pies				
	0-25 (0-7,6m)	26-50 (7,6-15,2m)	51-100 (15,2-30,4m)	101-150 (30,4-45,7m)	
120V					
240V	0-50 (0-15,2m)	51-100 (15,2-30,4m)	101-200 (30,4-60,9m)	201-300 (60,9-91,4m)	
Capacidad nominal en amperios					
Más que	No más que	Medida de conductor estadounidense			
0 -	6	18	16	16	14
6 -	10	18	16	14	12
10 -	12	16	16	14	12
12 -	16	14	12	No recomendado	

ADVERTENCIA: RIESGO DE INCENDIO: No conecte el reflector a una fuente de alimentación sin colocarle el lente y la cubierta al bombillo.

PRECAUCIÓN: PARA REDUCIR EL RIESGO DE LESIONES O DAÑOS A LA PROPIEDAD:

- Todas las luces halógenas emiten calor.
 - No toque el lente mientras la unidad esté en uso.
 - Mantenga cualquier combustible lejos del lente del reflector. El calor extremo puede ocasionar incendios.
 - Nunca coloque el reflector boca abajo mientras esté encendido.
- Nunca mire directamente a la luz ni la apunte directamente a los ojos de otra persona.
- Mantenga los objetos afilados lejos del lente del reflector – el vidrio puede romperse.
- No sumerja el reflector en agua.
- No exponga esta unidad extremadamente a las temperaturas altas.
- No tire ni deje caer el reflector. Contiene vidrio y una batería sellada con ácido de plomo.
- Use sólo los adaptadores CA o CC que vienen con esta unidad. Primero, conecte el adaptador de carga al reflector y después conéctelo a la fuente de carga.
- No sobrecargue: Carga hasta 20 horas de máximo.
- **NUNCA TRATE DE USAR EL CARGADOR DE CA Y EL PUERTO DE RECARGA CC A LA VEZ.**
- Después de cargar/recargar, desconecte el adaptador de recarga o extensión eléctrica y espere 5 minutos antes usar el reflector.
- No aplaste, corte, hale o exponga los cables del adaptador de carga al calor extremo.
- Coloque los cables del adaptador de carga de manera que no se enreden o se conviertan en un peligro de seguridad. Mantenga los cables del adaptador de carga alejados de bordes afilados.
- Use la unidad en lugares secos solamente.
- A excepción del bulbo, allí no es ninguna pieza usuario-útil adentro. No intente desmontar ninguna otra partes de la unidad.
- Para reducir el riesgo de daños al enchufe o al cable eléctrico, tire por el enchufe más bien que por el cable al desconectar del cargador de CA de 120 voltios.
- No trate de cargar la unidad si el enchufe del cargador de 120 voltios CA está dañado – devuelva la unidad al fabricante para reparación.

CONSERVE ESTAS INSTRUCCIONES

INTRODUCCIÓN

Felicitaciones por adquirir su nuevo linterna. Lea el manual de instrucción y siga las instrucciones cuidadosamente antes de utilizar su nuevo linterna.

CARGA Y RECARGA DEL REFLECTOR

Esta unidad se envía en un estado parcialmente cargado. Unidad de carga ANTES del primer uso usando el cargador de la CA de 120 voltios por 20 horas. El estado LED de la carga destella mientras que carga y enciende el sólido cuando la unidad se carga completamente mientras que usa el método de carga de la CA. Carga después de cada uso.

Carga/recarga desde una fuente de 120 voltios CA y un cable de extensión doméstico estándar (no incluido)

- Asegúrese que el reflector está apagado (la cerradura del disparador está en la posición de off y el disparador no está hundido).
- Enchufe un cable de extensión estándar Norte Americano de 120 voltios CA (no incluida) al cargador de 120 voltios CA localizado en la parte trasera de la unidad.
- Cargue hasta que el estado LED de la carga encienda el sólido (aproximadamente 20 horas).

Carga/recarga desde una fuente de 12 voltios CC (accesorio opcional)

- Asegúrese que el reflector está apagado (la cerradura del Disparador está en la posición de OFF y el disparador no está hundido).
- Tape la extremidad doble del perno del cargador de la CC de 12 voltios en el puerto de carga de la CC de 12 voltios.
- Introduzca el tomacorriente de 12 voltios al enchufe para accesorios de su vehículo o a cualquier otra fuente de alimentación de 12 voltios.
- Carga por aproximadamente 5-7 horas.

Asegúrese que la fuente CC (puente auxiliar de arranque, batería portátil, enchufe para accesorios del vehículo, etc.) sea de 12 voltios CC. La fuente CC debe tener la capacidad de suministrar al menos medio amperio a un nivel de 12 voltios CC por 7 horas. Esto significa que una batería portátil debe estar cargada con un mínimo de capacidad de 3.5 horas amperios.

Nota: Cuando utilice el enchufe para accesorios de 12 voltios de un vehículo como fuente de carga, preste atención a que algunos vehículos requieren que se encienda la marcha para alimentar el enchufe de accesorios.

El estado LED de la carga no se enciende mientras que usa el método de carga de la CC.

ADVERTENCIAS:

- PARA EVITAR EL RIESGO DE DAÑOS A LA PROPIEDAD, CARGUE HASTA 20 HORAS DE MÁXIMO USANDO EL MÉTODO DE CARGA DE LA CA; HASTA 7 HORAS DE MÁXIMO USANDO EL MÉTODO DE CARGA DE LA CC.
- NO CARGUE POR MÁS DE LARGO DE 20 HORAS.

INSTRUCCIONES PARA EL FUNCIONAMIENTO

Funcionamiento del proyector

1. Desconexión del cargador.
2. El disparador Con./Desc. está situado en el frente de la manija del pistola-apreto'n del proyector.
3. Para encender el proyector, exprima el disparador.
4. Para dar vuelta APAGADO al proyector, lance el disparador.

Nota: El disparador Con./Desc. se puede trabar en la posición de trabajo usando la cerradura del disparador el interruptor en el lado de la unidad.

Funcionamiento de la unidad con cable

Tape la extremidad doble del perno del cargador de la CC de 12 voltios (accesorio opcional) en el puerto de carga de la CC de 12 voltios. Introduzca el tomacorriente de 12 voltios al enchufe para accesorios de su vehículo o a cualquier otra fuente de alimentación de 12 voltios. Funcione la unidad conforme a la sección anterior.

IMPORTANTE: El reflector funcionará mientras que se ata el cargador de la CA de 120 voltios, pero continuará extrayendo energía de la batería ácida de la unidad y no continuará cargando mientras que el proyector funciona. El fabricante recomienda solamente el funcionar de la unidad en modo con cable usando el cargador de la C.C. de 12 voltios.

CUIDADO Y MANTENIMIENTO

Con el tiempo, todas las baterías pierden energía debido a la descarga automática y con mayor rapidez en ambientes con temperaturas elevadas. Cuando la unidad no esté en uso, recomendamos cargar la batería al menos cada 120 días.

No sumerja este reflector en agua. Si la unidad se ensucia, limpie las superficies exteriores con cuidado. Utilice una tela suave humedecida con una mezcla diluida de agua y detergente.

A excepción del bulbo de H3, 100 vatios, no hay ningún usuario-sustituibles piezas. Periódicamente inspeccione la condición de adaptadores, conectores y alambres. Contacto fabricante para sustituir los componentes que han pasado a ser gastado o rotas.

Reemplazo/desecho de la batería

REEMPLAZO DE LA BATERÍA

La batería debería durar la vida útil de la unidad. Contacto fabricante para cualquier información que pueda necesitar.

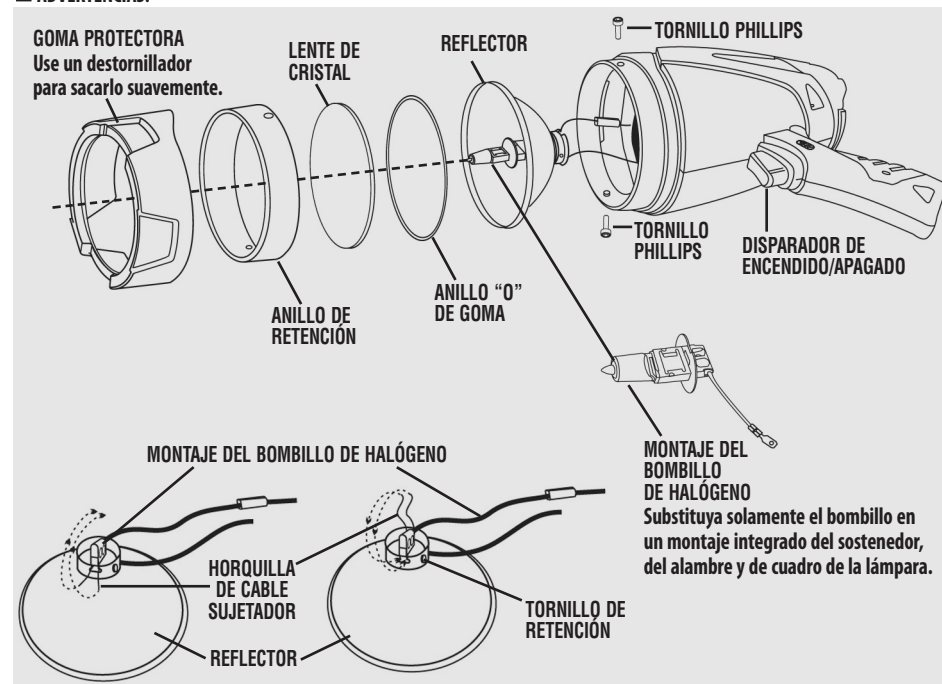
ELIMINACIÓN DE LA BATERÍA

Contiene una batería de plomo-ácido sellada, anti-derrame que no requiere mantenimiento, la cual debe ser eliminada de manera correcta. Se requiere reciclado (comuníquese con su autoridad local para más información). El incumplimiento de las reglamentaciones locales, estatales y federales pueden provocar multas o penas de prisión.

Para localizar un centro de reciclaje libre de la colección del programa cerca de usted, vaya a www.call2recycle.org.



ADVERTENCIAS:



6. Desconecte el cable del bombillo del cable rojo de electricidad.
7. Separe las horquillas de los cables sujetadores de la pestaña del reflector.
8. Utilizando el destornillador, afloje el tornillo sujetador para remover el bombillo del reflector (no necesita sacar el tornillo por completo).
9. Saque el bombillo y desprenda el cable.
10. Coloque el bombillo de reemplazo en la pestaña del reflector.
11. Coloque de nuevo las horquillas de los cables sujetadores y asegúrelas.
12. Conecte el cable de electricidad del bombillo al cable rojo de electricidad.
13. Apriete el tornillo sujetador en la pestaña.
14. Coloque el reflector en su posición dentro de la unidad.
15. Coloque el anillo sujetador "O" en la ranura que está alrededor del perímetro del reflector.
16. Coloque el vidrio y el anillo sujetador de manera que los huecos de los tornillos coincidan.
17. Asegure el anillo sujetador con dos tornillos.
18. Coloque el borde saliente de goma.
19. Pase el interruptor para asegurarse que el reflector está operando adecuadamente.

ADVERTENCIA: Pare reducir el riesgo de descarga eléctrica sólo reemplace con bombillos de 12 voltios y 100 vatios de tipo H3.

Reemplazo del fusible del enchufe del adaptador de carga de 12 voltios CC

El fusible que está en la toma CC protege el circuito de carga del adaptador de recarga. Si el recargador CA opera pero el adaptador de carga CC no, el fusible puede estar abierto.

Para sustituir el fusible:

1. Destornille la tapa trasera del enchufe de CC (en sentido contrario a las manecillas del reloj).
2. Retire el resorte central de contacto y el fusible.
3. Inspeccione el fusible con un control de continuidad.
4. En caso de estar quemado, busque un fusible de reemplazo de 10 amp/250 voltios.
5. Coloque el fusible, el resorte de contacto y el cobertor posterior.
6. Atornille la tapa trasera en sentido de las manecillas del reloj hasta que esté apretado. NO LO APRIETE DEMASIADO.
7. Asegúrese que el adaptador de carga CC esté funcionando de forma correcta.