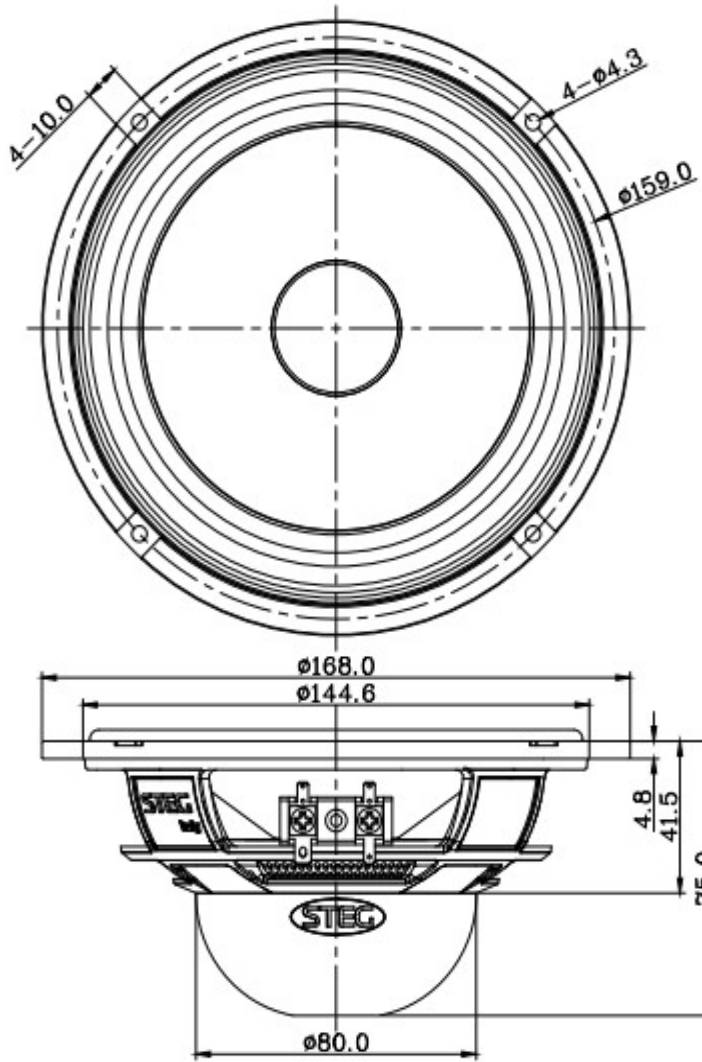
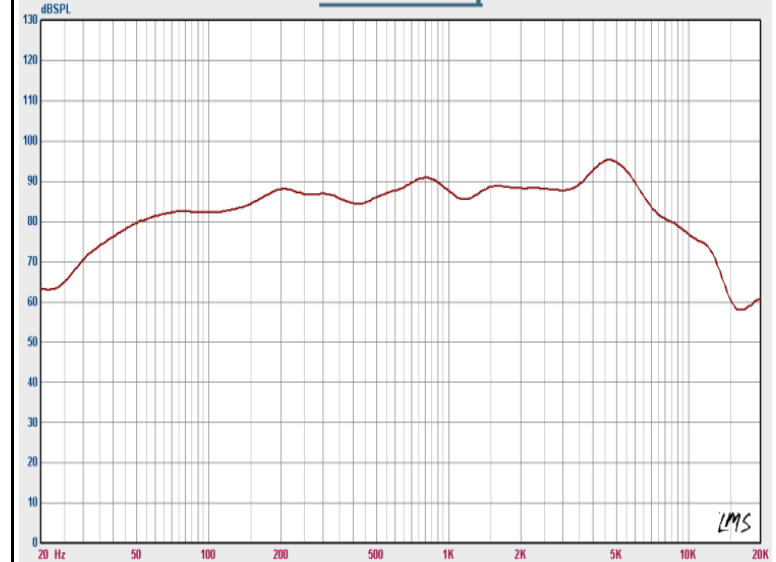


# Speaker Model:Re

IAPHRAGM MTL:Rubber+Ceramic  
 NOMINAL IMPEDANCE:  $4.0 \pm 15\% \Omega$   
 DCR IMPEDANCE:  $3.4 \pm 10\% \Omega$   
 SENSITIVITY 1W/1M:  $87.0 \pm 3 \text{ dB}$   
 FREQUENCY RESPONSE: 50-10K Hz  
 FREE AIR RESONANCE:  $50 \pm 20\% \text{ Hz}$   
 VOICE COIL DIAMETER: 35.5 mm  
 RATED POWER INPUT: 60 W  
 MAXIMUM POWER INPUT: 80 W  
 MAGNET WEIGHT (OZ): NEO  
 FERRO FLUID ENHANCED: NO  
 Qms: 4.1  
 Qes: 0.54  
 Qts: 0.47  
 BL: 4.8



### SPL vs Freq



### Impedance vs Freq

