

# Speaker Model:SQ 35C

Cone Paper:Special rubber edge+Ceramic

DCR Impedance:3.6 Ω

Maximum power Input:30 W

Frequency Range:100 Hz

Sensitivity 1W/1M:90dB

Qms:4.8

Qes:0.61

Qts:0.55

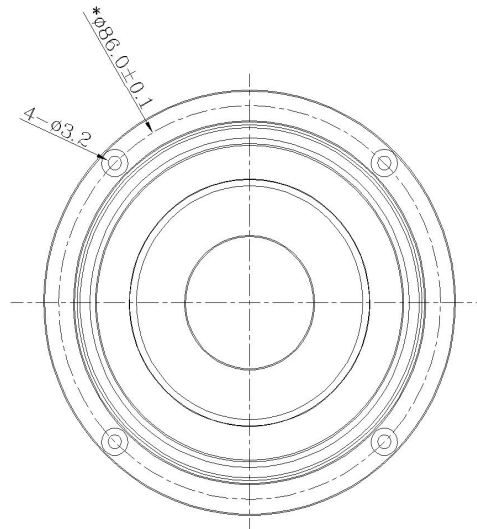
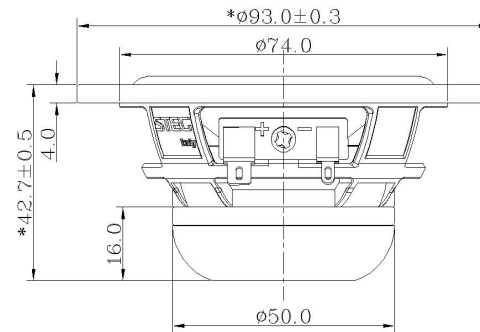
Mms:1.8 G

Vas:0.61 L

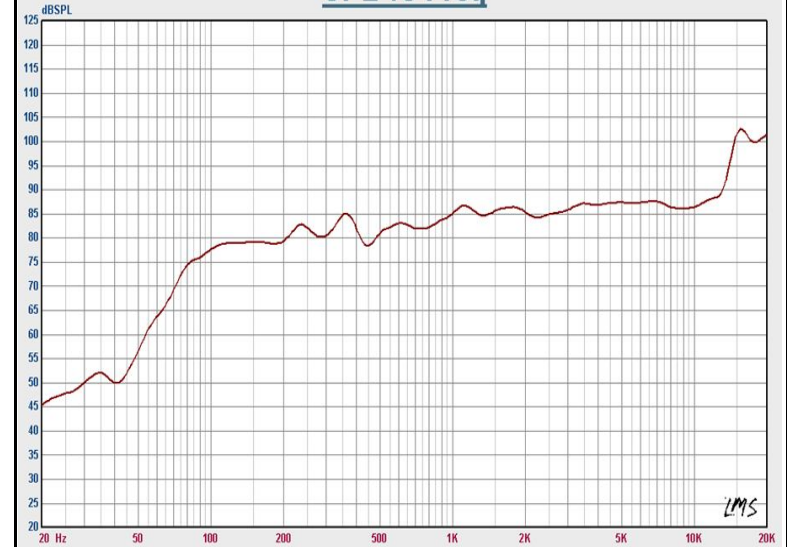
Weight:0.285 KG

Mounting Depth:40 mm

Mounting Diameter:93 mm



## SPL vs Freq



## Impedance vs Freq

