

WESTWOOD DESIGN



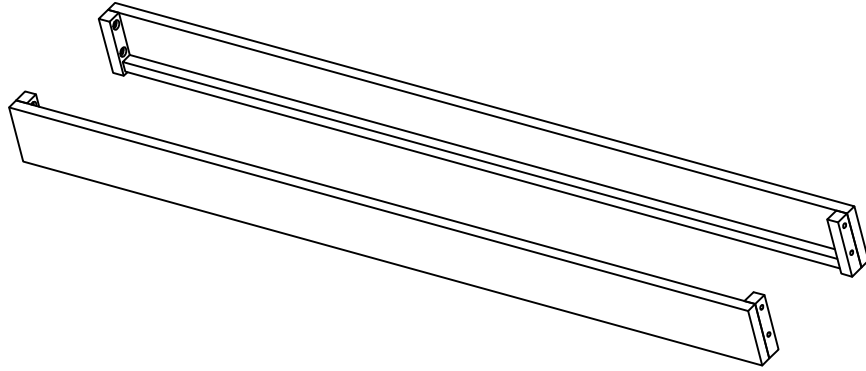
HAYDEN

Bed Rails

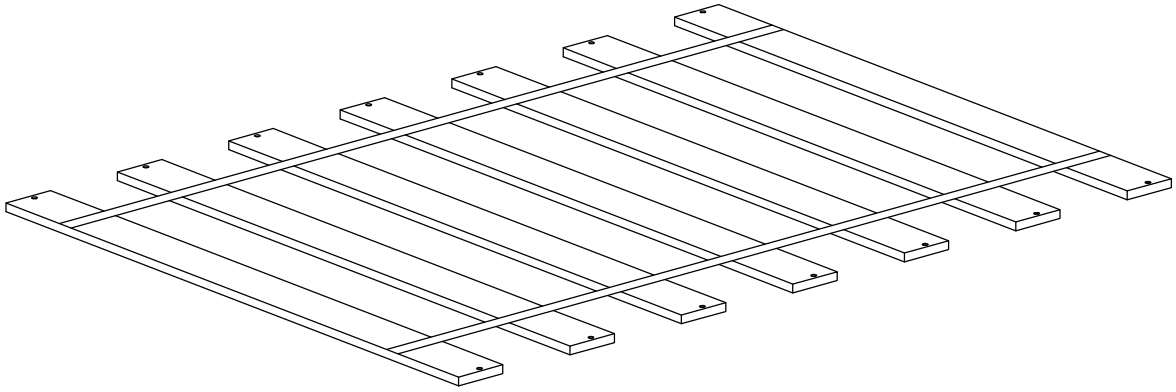
Assembly Instructions

Required Parts & Hardware

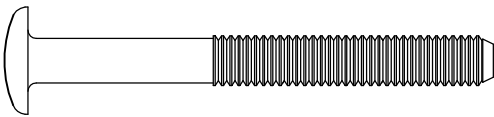
A Bed Rails (2)



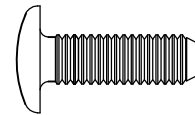
B Slats Roll



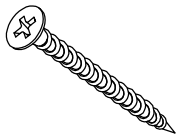
C M6 x 40mm Allen Bolt (8)



D M6 x 20mm Allen Bolt (4)



E 1" Philip Head Screw (28)



F Allen Wrench

