



USB Type A Universal 5V 2.4A DUAL Charger Port

USB ports provides inflight charging capability, soft blue backlight, inexpensive price, and ease of installation



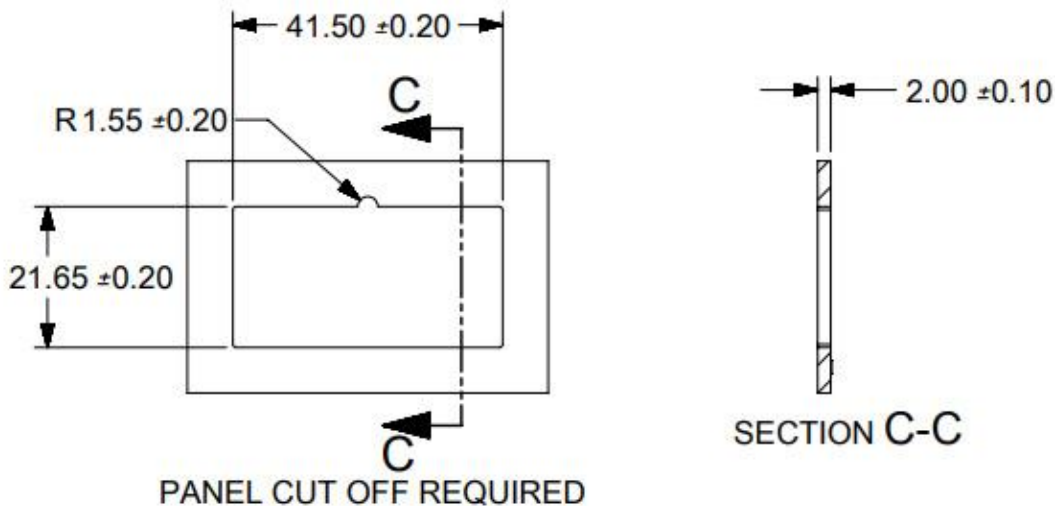
FEATURES & SPECIFICATIONS

- ✓ Dual ports!
- ✓ Works great in cars and airplanes!
- ✓ Individual tethered dust covers.
- ✓ Includes 24" wiring back harness and connector – install today easily!
- ✓ Compliant with Battery Charging (BC) 1.2 standards.
- ✓ Apple MFI Compliant.
- ✓ 1.2V Mode.
- ✓ **Electrical, mechanical, environmental, electromagnetic interference (EMI), electrostatic discharge (ESD) and signal integrity testing completed.**
- ✓ **Over voltage, Reverse Battery and Over current protection.**
- ✓ Ensures compatibility with most aircraft 12V power distribution architectures, works from +9 to +16 volts.
- ✓ Inexpensive – facilitates installation of individual ports on different parts of panel.
- ✓ Easy to install.
- ✓ Overall dimensions of 26 x 47 x 45.3mm (1.023" x 1.85" x 1.78").
- ✓ Recommended panel thickness of 2.00mm (.079")
- ✓ 10000 mating cycle life.
- ✓ -40 to +85C operating temperature.



INSTALLATION

- Cut hole in panel with dimensions of 41.5 x 21.65 mm (1.63" x 0.85"). Use following guide.



- Insert USB module into hole. Tabs will lock it in place.
- Ensure power source is switched and fused appropriately; 5A breaker recommended.
- Attach power and ground to red and black wires, respectively.

Use and enjoy.

DISCLAIMER

Products from Belite Electronics are not designed to be used in applications where their failure would endanger safe flight or human life in any way. They are intended solely for use in VFR conditions. They are not certified to meet any Technical Standard Order, and are not produced under a Parts Manufacturing Authority (TSO / PMA). As a result, they are suitable only for use in experimental and ultralight aircraft, and in Light Sport Aircraft, if meeting the requirements of the respective manufacture.

WARRANTY

Your new Belite Avionics instrument carries a one year warranty. Please contact us at info@beliteaircraft.com should your product need warranty service. International warranty service will be charged US\$50.00 for repairs, which includes return shipping after repair. Payment must be received before service begins.

RETURN/REFUND INFORMATION

Must be returned in new, resalable condition within 14 days.

CONTACT

info@beliteaircraft.com, 316-253-6746 / Belite Enterprises LLC, 8610 E. 34th Street N. Wichita KS 67226