

mu FORM

JC Stacking Chair





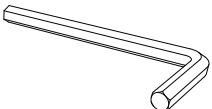
Care Instructions

Use moist cloth first, then dry cloth to wipe off excess liquids. Stack 4 maximum.

Warranty

Covered for 1 year against manufacturing defects. Contact your place of purchase for details.

www.muform.com

A  x4	B  x4
C  x4	D  x4
E  x1	

