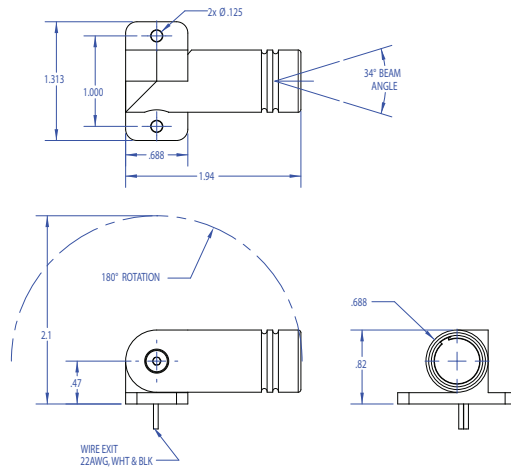


# MINI-SPOT LIGHT

Heavy Duty Military Grade



## OVERVIEW

Blue Wolf's new mini spotlight was designed to go where few specialty lights can.

Measuring less than 2 inches in length and 11/16 inches in diameter, our "mini-spot" can be mounted in myriad locations throughout cockpits, cabins, crowded instrument panels and other important recessed areas.

With hidden wiring, the light can rotate 180 degrees and illuminate a beam angle of 34 degrees. Machined out of a durable aluminum, this small LED light offers exceptional mounting versatility while providing an on-wing, on-axle life span of over 40,000 hours.

While the NVIS White mini-spot light is specifically designed for illuminating Night Vision Environments such as in aircraft, watercraft and tactical vehicles, it can also be ordered with NVG-Green-A, standard white LED or Infrared signature.

## DESCRIPTION

### Technical Data

- Voltage: 7Vdc - 33Vdc
- Current: 40 mA
- Mass: 1 . 1 oz.
- Material: Anodized black 6061-T6 Aluminum
- DOD-160 section 8 compatible
- MIL-STD-3009 compliant if NVIS White/NVG color option is chosen

### Operating Features

- 180 degree rotation
- Hidden Wires
- Low heat output - (LED light)
- Designed and Manufactured in the USA



## QUICK SPECS

- 40K Hour Life Span
- 28 Volt DC low power
- Versatile Mounting
- 180 Degree Rotation
- Many Color Options
- Black Anodized Aluminum
- Customization available upon request

NVIS White color option allows for easy viewing without "greening out" important indication colors such as "reds" and "yellows"

## APPLICATIONS



### PART NUMBER:

- BW-A420-NVIS WHITE
- BW-A420-NVG Green
- BW-A420-White
- BW-A420-Red
- BW-A420-IR

CAGE CODE: #6PQC4  
DUNS: 02-668-1220